



Awarded with:



reddot winner 2022



Artares

The weinor louvred roof

Technical information

Status March 2025

We reserve the right to make technical changes

Awnings Patio roofs Glasoasen®

List of contents

Technical information

4-5	Overview and highlights
6-7	Product benefits
8-48	Artares technology
49-69	Artares planning
70-77	Artares sun protection
78-83	Artares w17 easy
84-85	Artares tools

General information

86-87	Frame colours
-------	---------------

weinor is an eco-friendly company. To ensure compliance with high environmental standards, manufacturing processes and materials undergo regular testing by experts.

Please note individual market availabilities.

Notes:

We reserve the right to make technical changes as well as changes in range and product portfolio. For technical reasons, the colours may appear slightly different when printed. The detailed technical illustrations of weinor products shown in this product catalogue are not always 100% true to the original.

Artares

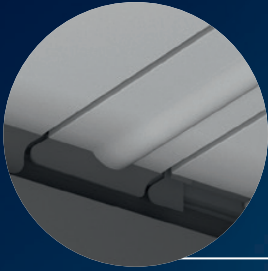


Artares – the louvred roof

Artares completes the weinor offer for outdoor living space. The weinor louvred roof "Made in Germany" is a high-quality, trendy product where several extras are already pre-planned. Thanks to newly developed motorisation, the louvers can be rotated fast and with little noise **up to 140°**. This ensures natural ventilation and simultaneous optimum sun protection under the roof. Numerous options such as the integrated vertical sun protection, great light options and decorative strips round off the package, leaving you more or less no open wishes.

Artares

The weinor louvred roof



Static louvre without a motor:
ensures high wind stability



Fascia with coloured LED strip:
circumferentially on the lower side, dimmable



LED strips with warm white lighting:
are integrated in the louvres.
(inter-changeable, not dimmable)



Static louvre with an integrated motor*:
Fast drive, easy to access for installation and maintenance

* Motor depicted here visibly

Decorative strips in 5 trend colours



Attractive post design thanks to:

- Decorative strips in trend colours or the frame colour
- High-quality 400 coloured LED strip below
- High-quality 1600 coloured LED strip above



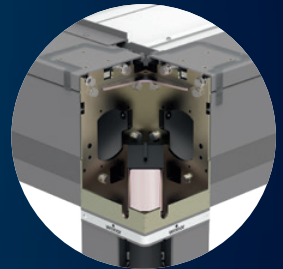
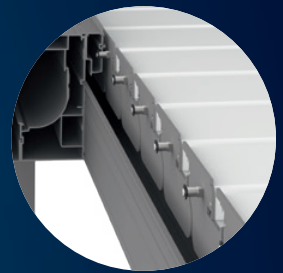
High load-bearing capacity:
resilient construction for
high wind and snow loads



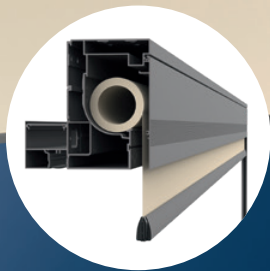
**Low-noise rotation,
high-quality louvres:**
Special louvres consisting of
maintenance-free stainless
steel, installation and service-
friendly snap ring, 56 colours
available without extra charge,
also matching the frame



Wide opening angle:
the louvres can be rotated
up to 140°.



Safe guttering:
due to the slight pitch in
the untrussed roof in the
gutter system for fascia
and posts (rain class 2)



Integrated vertical sun protection:
circumferentially in the frame, no
cassette on top visible



Note: At present only the robust, easy
to clean fibreglass screen fabrics from
the Screens by weinor® collection are
available for the integrated vertical sun
protection screens.



Artares benefits



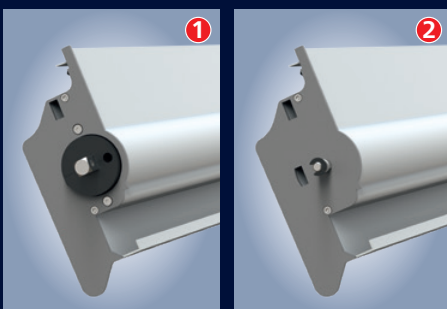
Attractive, high-quality construction

With its modern, cubic look and bioclimatic properties, Artares impresses. Thanks to newly developed motorisation, the louvres can be rotated fast and with little noise up to 140° and ensure a dreamlike interplay of light and shadows as well as natural ventilation under the roof. The statically clever construction provides for particularly good stability. In addition to a leaned up version for sensitive facades, Artares can also be installed free-standing.



Clever cabling concept

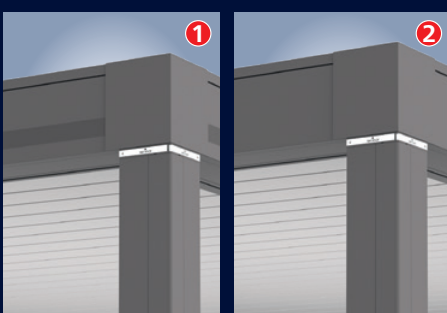
All electrical components are mounted ready to plug in and are already integrated into the profiles weather-protected and concealed. This guarantees easy, error-free installation and an attractive look. An inspection flap provides easy access and simplifies installation and maintenance.



Two static louvres

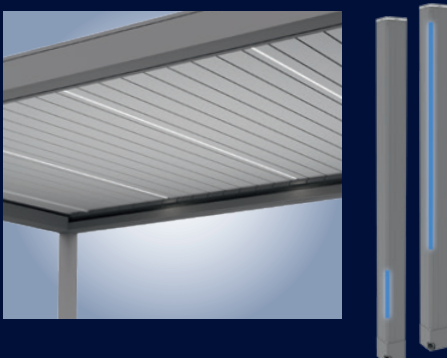
The static louvre with an integrated motor ① ensures fast, low-noise rotation of the louvres.

The static louvre without an integrated motor ② at the other end of the roof provides Artares with high wind stability.



Fascia in two stylish design versions

As a standard, the fascia is equipped with a distinctive engraving front ①. If you prefer it more puristic, select the optional smooth version ②.



Coloured LED strips in the posts and fascia, warm-white LED light in the louvres

A new lighting concept allows for the fitting of posts and fascia with coloured LED strips and warm white light in the louvres:

- 400 mm long in the lower post area
- 1,600 mm long in upper post area
- LED strips with warm-white light in the louvres (inter-changeable, not dimmable)
- Integrated cabling ready to plug in

Artares Benefits – expandable system



Vertical sun protection – fully integrated

The **integrated vertical sun protection** offers full privacy and glare protection and is perfectly matched with Artares. Depending on the requirements, it can be used on the left-hand side, right-hand side or also circumferentially. If you plan to add the vertical sun protection later, we recommend advance preparation of the electrical connections when ordering initially (optional).

The retrofitting without advance preparation when ordering is also possible (maybe at greater expense).



Tempura Quadra with special bracket 260.
Cabling integrated in the frame is possible.

High-performance Tempura Quadra heating system

Tempura, the energy-efficient infrared heating system convinces with heat output of 1,500 watts in a tiny housing.

- Instant heat: no warm-up time
- Turn as required for targeted warmth
- Operate and dim using BiConnect remote control
- Splash protection
- TÜV-tested



Coupled systems – for large areas

Artares is also suitable for particularly large outdoor living spaces and gardens.

- Coupling on the short side – up to 18 metres
- Coupling on the long side – up to 24 metres



Example of free-standing individual unit

- Short side max. 7 metres
- Long side max. 4.5 metres



Example: Wall coupling on the short side

- Max. 18 metres



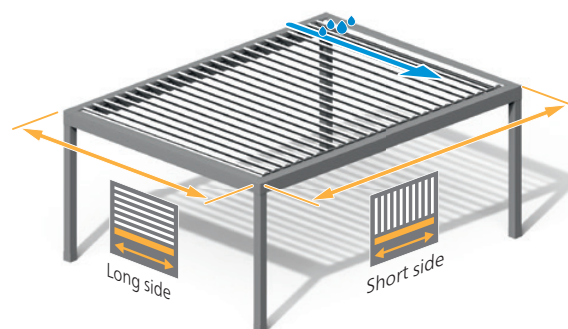
Example: Wall coupling on the long side

- Max. 24 metres


Artares technology

Technology overview

Louvred roof



● Standard ○ option

Technology	
Louvred roof short side, max.	 7,000 mm 24,000 mm (on long side coupled system, max. 4 sections with 6,000 mm)
Louvred roof long side, max.	 4,500 mm 18,000 mm (on short side coupled system, max. 4 sections with 4,500 mm)
Gutter drainage	○ Concealed, possible through all posts
Number of louvres	Size-dependent, please see the price list
Options	
Coloured LED strips in the fascia	○
Coloured LED strips in the posts 400/1600 mm	○
Decorative strips in the posts	○
Preparation for mains connection 230 V beneath the fascia	○
Accessories	
Integrated vertical sun protection	○ (up to max. 3,000 mm)
Tempura Quadra heating system with special attachment 260	○
Posts	
150 post (square), length	Up to 3,000 mm
Louvres	
Louvre rotation	Up to 140°
Louvres differently coloured than the frame	○
Fascia	
Profile partially structured	●
Profile smooth	○
System and standards conformity	
Classification	Pergola awning with louvres (DIN EN 13561)
Rain resistance class	2 (approx. 56 l/m ² per h)
Wind resistance class	Louvres: not determined (DIN EN 13561) Vertical sun protection: 3 (DIN EN 13561)
Snow load	Size-dependent, as of 520 N/m ² (see snow load table) (DIN EN 1090, 1990, 1991)

Depending on the design, differing distances between centre lines and the resultant additional roof sections can occur. Other individual shapes and maximum dimensions possible upon request.

Technology overview

Artares weight table in kg (single unit, free-standing)

The basis for the calculation of the total weight is a free-standing Artares single unit without further accessories such as lighting and Tempura Quadra.

The Artares weight table can be understood as follows:

- Length of posts 2600 mm (OKFF to UKR) [top edge of finished floor to bottom edge frame]
- Vertical sun protection per side
- Post base L, t = 15 mm
- incl. controls
- incl. packaging

Artares total weight in kg

Short side in mm	Number of louvres	Long side in mm						Additional weight vertical sun protection (1x short side)
		2000	2500	3000	3500	4000	4500	
2000	6	398 (40)	431 (48)	463 (55)	495 (63)	527 (71)	559 (79)	24
2500	9	434 (41)	471 (48)	507 (55)	543 (63)	580 (71)	616 (79)	26
3000	12	470 (49)	511 (49)	552 (55)	592 (63)	633 (71)	674 (79)	28
3500	15	500 (57)	543 (57)	587 (57)	631 (63)	674 (71)	718 (79)	31
4000	17	536 (64)	584 (64)	631 (64)	679 (64)	727 (71)	775 (79)	33
4500	20	572 (72)	624 (72)	676 (72)	728 (72)	780 (72)	832 (79)	35
5000	23	601 (80)	656 (80)	711 (80)	766 (80)	821 (80)	876 (80)	38
5500	25	637 (88)	697 (88)	756 (88)	815 (88)	874 (88)	933 (88)	40
6000	28	673 (95)	737 (95)	800 (95)	864 (95)	927 (95)	991 (95)	42
6500	30	703 (103)	769 (103)	836 (103)	902 (103)	968 (103)	1035 (103)	-
7000	34	745 (111)	817 (111)	889 (111)	961 (111)	1033 (111)	1105 (111)	-
Additional weight vertical sun protection (1x long side)		24	26	28	31	33	35	

Second value (red) = heaviest single profile/part to be lifted

All the values are approximate specifications.



Note:

Weight without snow load! Any snow loads must be calculated additionally to the total load, depending on the area of operation.

Details about weinor Artares

Artares scope of delivery

All the small parts required for the installation of an Artares louvred roof are supplied as standard. Please also note any possible different or additional statements in the commercial or technical confirmation of the order.

Site measuring/Artaresplanning

- A full and accurate site survey is a basic requirement for the job to be carried out well. It provides the basis for production of the roof and for the establishment of further constructional requirements.
- weinor needs the roof dimensions you require. Please observe above-all obstacles such as protruding walls, rainwater downpipes, etc.
- Remember: The roof must be aligned straight.
- Please make a note of the complete footprint on site including levels and any special or important factors.
- Ideally, take digital photos of the installation site. Your technicians will later be grateful for the more detailed advance information from good photos later.
- Also, measure the current situation on-site. This makes it easier when discussing any necessary modifications and avoids repeated site measuring.
- When deciding how to position the long and short side for the roof, both the area for which sun protection is required and alignment with the sun must be taken into account.
- The builder-owner and customer are ultimately responsible for the static design of the roof and accessories. In this context, the relevant valid statutory regulations must be observed, in particular Eurocode DIN EN 1990 and 1991, which define wind and snow loads.
- As a rule, production will not commence until after written approval of the order. Orders placed via the weinor E-Shop are accepted without written approval and forwarded to Production immediately after consignment of the order confirmation. No collateral agreements will be accepted as part of the contract.
- Modifications to orders made after an order has been approved are only possible in certain instances depending on their production status and will therefore be subject to additional costs if applicable.

Integrated vertical sun protection

- Optionally, integrated vertical sun protection can be applied.
- It can be selected individually for each side or circumferentially.
- The vertical sun protection provides privacy and glare protection with low-lying sun.
- The system can be retrofitted at a later point in time.

Installation

- Check the structural conditions: Foundation, floor section, post dimensions, masonry
- Check the drawing according to Engineering
The resulting connection forces are provided in the weinor E-Shop and the order confirmation.

- The installing weinor partner is responsible for the professional installation and correct selection of the fixing material.
- Preparatory work:
 - Check the roof and accessories scope of delivery against the parts list/drawing from the order confirmation
 - Unpacking the delivery
 - Check it for damage
 - Start installation
 - Instructions are available for installation.

Recommended installation material (not in scope of delivery)

- Fixings for mounting the roof to the wall and floor
- Fixings for glazing elements
- Glazing blocks, silicone, sealing glue, expanding foam tape, films, filler cord, insulation material, PU foam, glazing tape
- Weather protection angle bracket above the wall profile
- Spacers for shimming glazing elements onto the floor
- Detailed tool and installation material list, see the end of this product catalogue

In case of complaints

If something appears to have not been carried out to your satisfaction:

- Take a photo of the package concerned (if possible, a digital photo).
- Make a detailed note of the causes, e.g. the actual dimensions of the supplied package. Our technicians can then compare the dimension with the target dimension to quickly establish the causes.
- Make a detailed note of the target dimension you would have expected. Our technicians can often draw important conclusions from this and provide you with further tips.
- Please contact the weinor office without delay.
- If possible, enter the complaint directly into my weinor or E-Shop, this enables rapid processing.

Details regarding the colour and coating

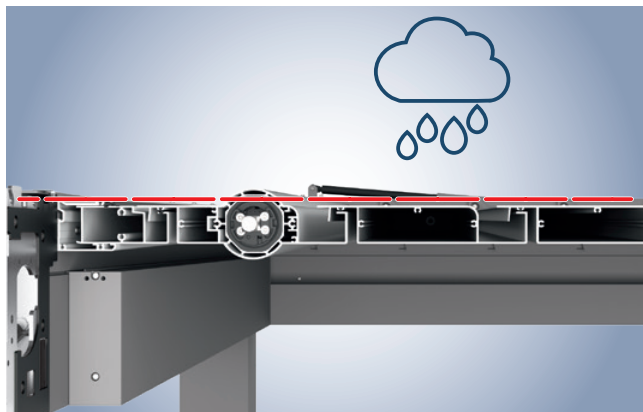
- The Artares coating with easy-care, matt conservatory trend structural colours offers the benefit of a non-sensitive surface. In case of smooth RAL colours, the high proportion of coated surfaces may increase the risk of strips of dirt, marks or scratches.
- Powder coating: All weinor patio roof and glazing element surfaces are always supplied powder-coated. Caution, deviations in colour: Different gloss levels and powders from various manufacturers may result in colour variations. The critical colours are RAL 9006 and RAL 9007 as well as all metallic (WT) colours.

Details about weinor Artares

Rain security

Normally, the louvred roof lets no water through when closed. When it rains, the water is guided via the guttering to the corner joint and then into the rain drain.

If the rain quantity exceeds 56 l/m²/h (in case of heavy rainfall or a short, very heavy shower with wind), but also if the guttering and/or drains are blocked (due to soiling, e.g. leaves, branches etc.), overflowing may occur. Then, it is possible that excess water also ingresses beneath the louvred roof via the edges. Impinging rain beneath the rain gutters may form slight splashing.



Louvre positioning when it rains

Where higher humidity and fluctuations in temperature occur, condensation may form on and drip off the underside.

Wind resistance classes

The integrated vertical sun protection for Artares withstand wind speed of up to 49 km/h and thus fulfils wind resistance class 3 according to DIN 13561 (wind strength 6 on the Beaufort scale). Safe retraction is possible up to wind strength 4 according to Beaufort. The louvred roof itself, with retracted vertical sun protection is not subject to any wind resistance class. When ordering, it must be statically designed according to the local wind load.

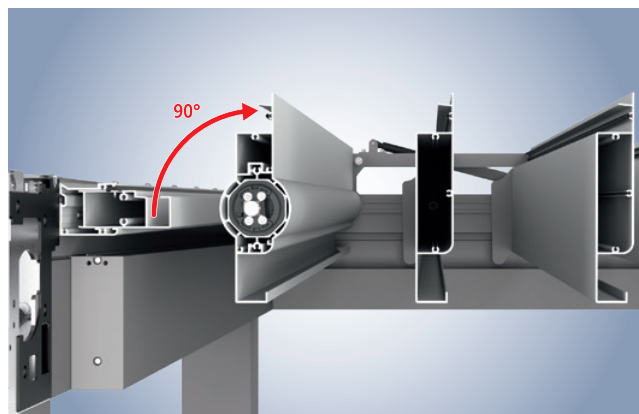


Building permits

Depending on the building authority/federal state responsible, louvred roofs can be subject to approval. Please observe the required demonstrability for statics and stability here.

Snow and frost

The highest permissible snow load depends on the size of the system. Please refer to the separate price list or calculation in the weinor E-Shop. Internal tests have shown that Artares (6 x 4 m) withstands a load exceeding 200 kg/m².



Louvre positioning during heavy snowfall

In principle, the user must ensure that no overload arising from snow is incurred on the louvred roof. Therefore, the roof must, for example, be cleared of snow if the control unit fails or in case of exceptional snowfall.

A louvred roof should not be operated in case of frost.

Cleaning the Artares louvred roof

The end-user must clean the Artares regularly. When using a cleaning device, it must be observed that the pressure exerted on the louvres is not too high. The louvres must always be free of loose items such as leaves, branches, etc. in order to avoid influencing the electrical control unit. This also applies to the integrated vertical sun protection if present. Moreover, you can offer the customer annual maintenance.

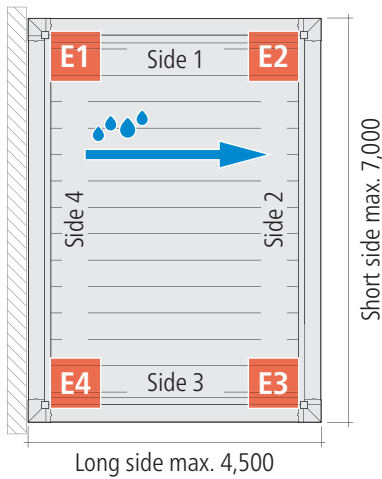
Safety instructions

When the louvres are driven, you must ensure no items can be trapped between them. You must also not place your hands between the louvres.

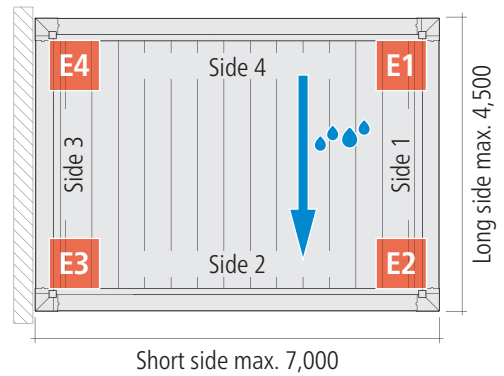
Viewing consistency (from above)

Dependency on the rain drain and position of the post

The marking of the position of the posts depends on the rain drain direction. The rainwater always runs towards the posts E2 and E3. If the louvred roof is rotated, the post positions rotate in accordance with the rain drain direction.

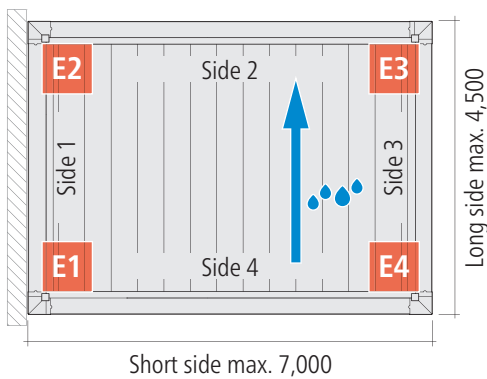


Example 1
For free-standing Artares or with a left-hand side wall connection, the rainwater flows away from the building wall on the right-hand side.

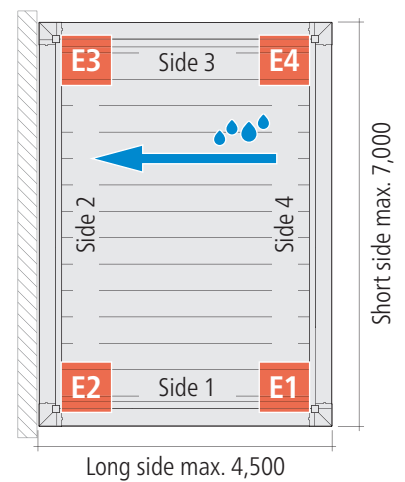


Example 2
If the rainwater drain is at the front, Artares must be planned accordingly rotated in front of the building wall.

Example 3
If the rainwater drain is at the reverse, Artares must be planned accordingly rotated in front of the building wall.



Example 4
If the rainwater drain is towards the building wall, Artares must be planned accordingly rotated in front of the building wall.

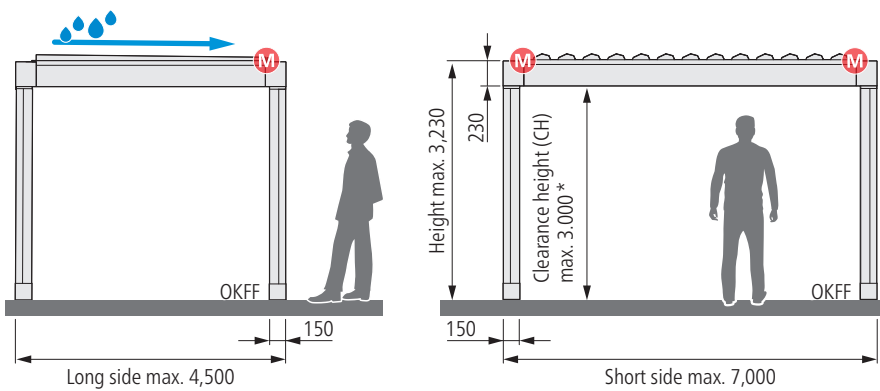
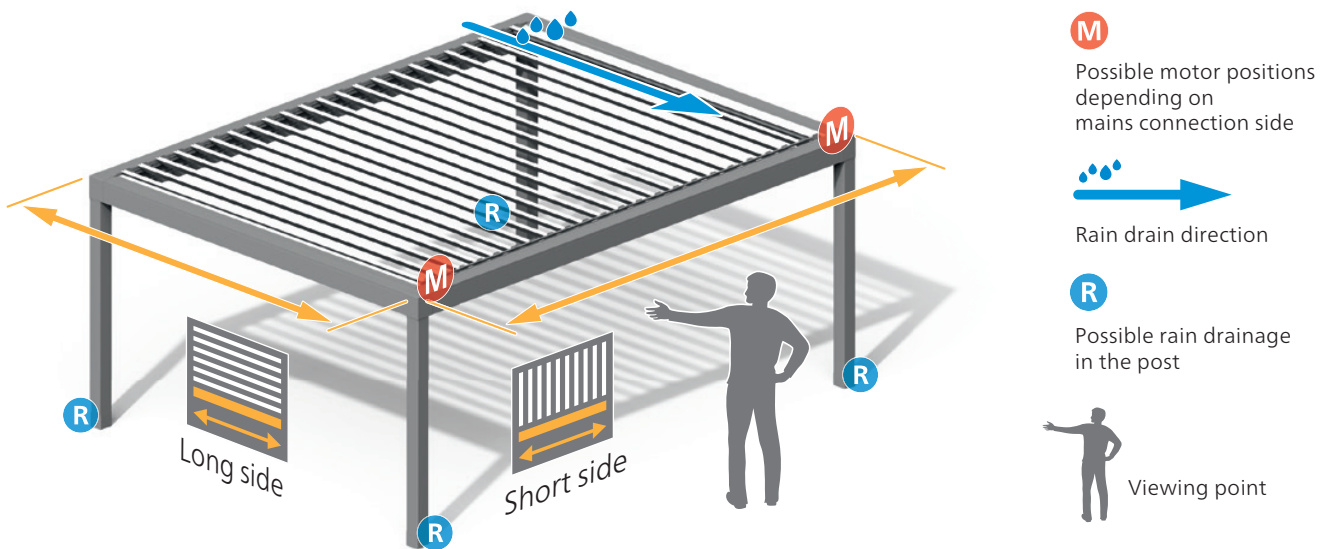


Note:

It goes without saying that posts E2 and E3 can be on one wall. In this case, the rain drain direction is made in the direction of the wall. We recommend drainage away from the wall.



Artares configuration (coupling on short side)



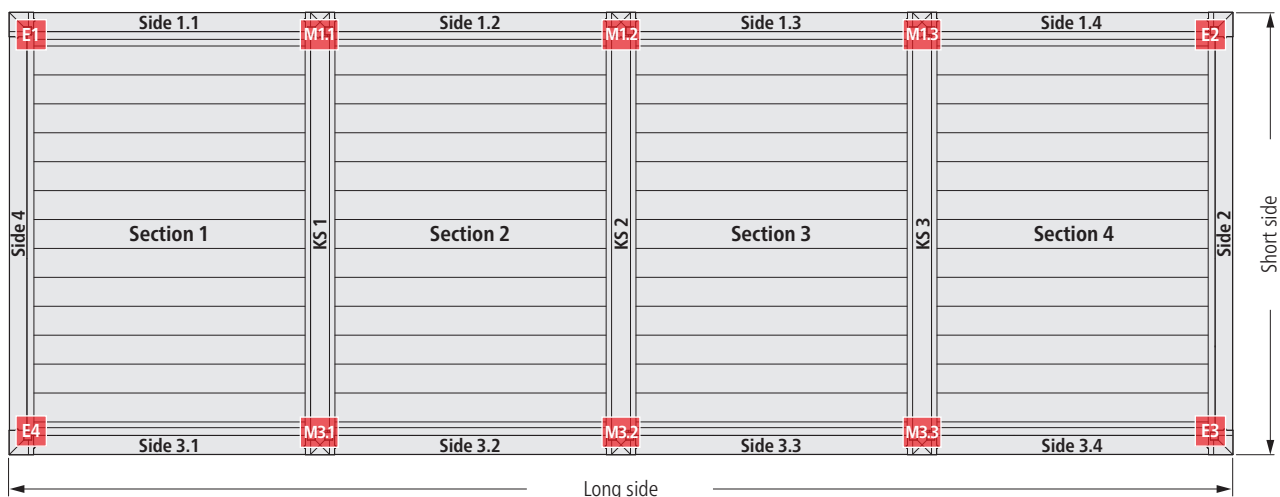
Viewing point

The viewing point is always on the rain drain side. At the same time, this is also the side on which the motor for the motor louvre is located.

* With vertical sun protection up to max. 3,000 mm

Coupling logic

Example: 4-section system, coupled on the short side

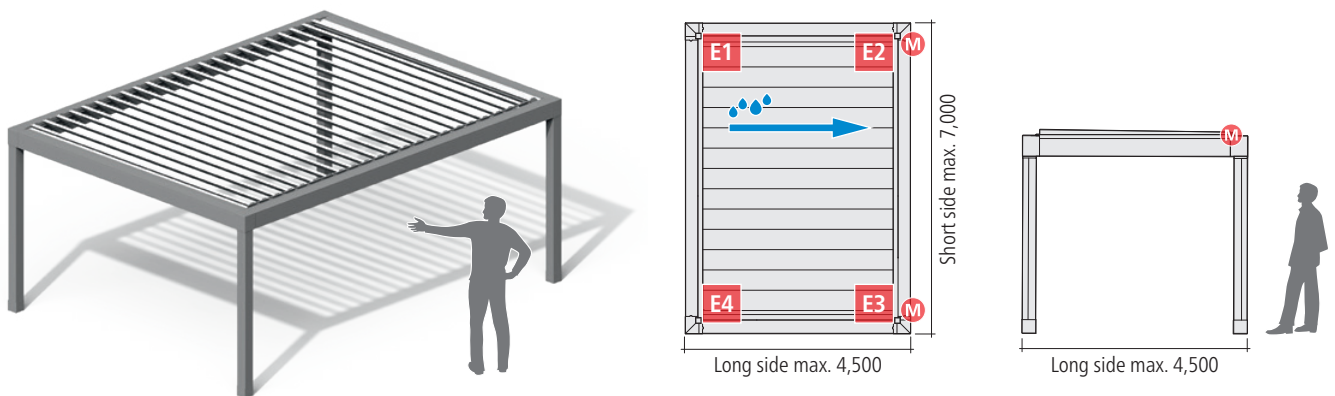


Artares configuration (coupling on short side)

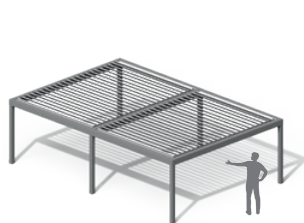
Free-standing Artares

Artares can be installed free-standing: as a coupled system with up to four sections and a maximum length of 6,000 mm on the short side and 18,000 mm on the long side.

Artares	Number of posts	Short side (max. length)	Long side max. (max. length)
1-section unit	4 posts	7,000 mm	4,500 mm
2-section unit	6 posts	6,000 mm	9,000 mm
3-section unit	8 posts	6,000 mm	13,500 mm
4-section unit	10 posts	6,000 mm	18,000 mm



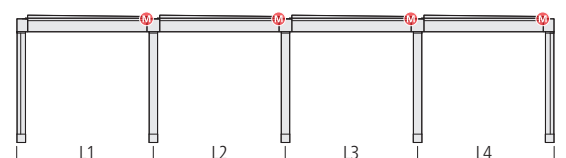
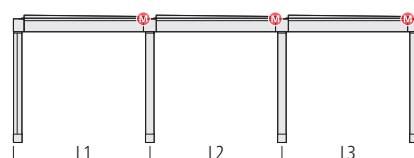
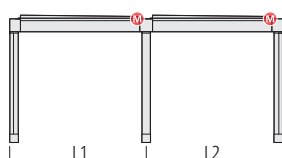
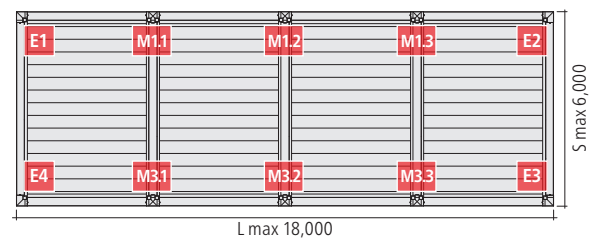
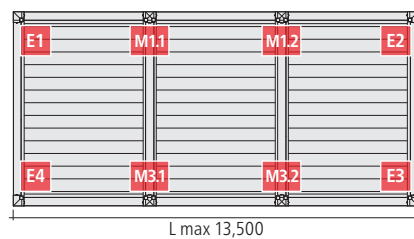
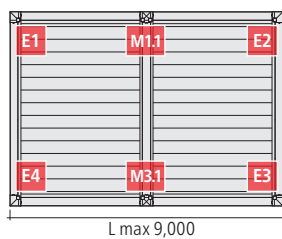
2-section unit



3-section unit



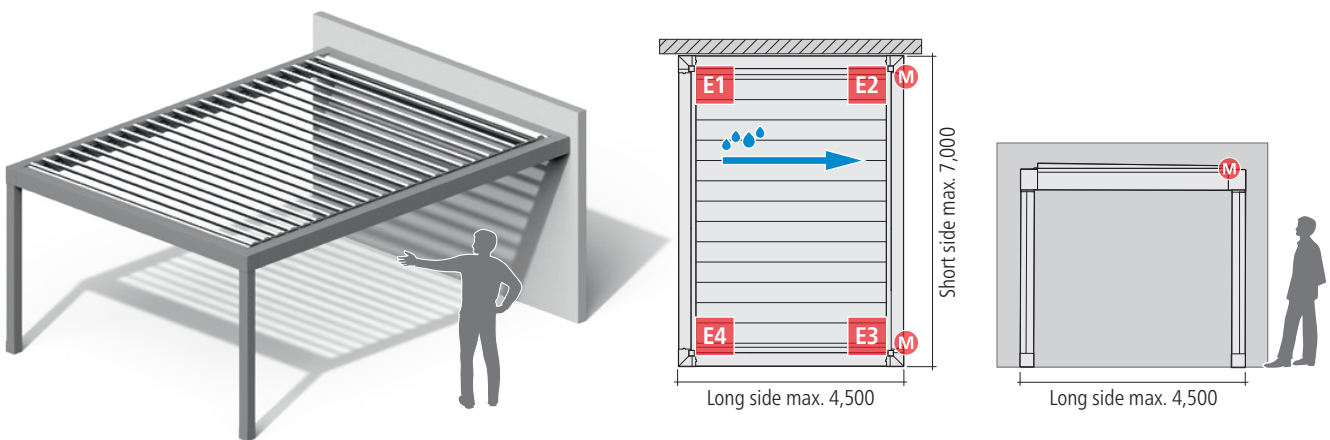
4-section unit



Artares configuration (coupling on short side)

Artares with wall connection profile on the long wall side

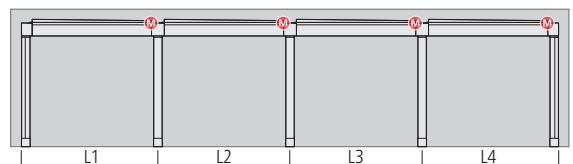
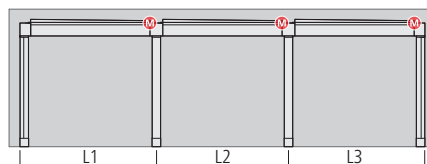
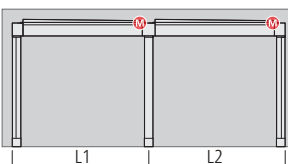
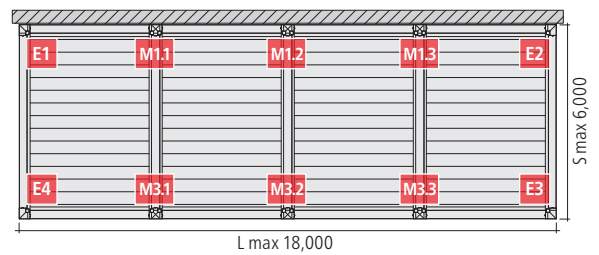
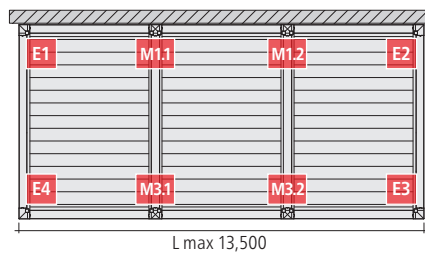
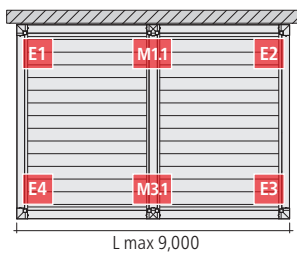
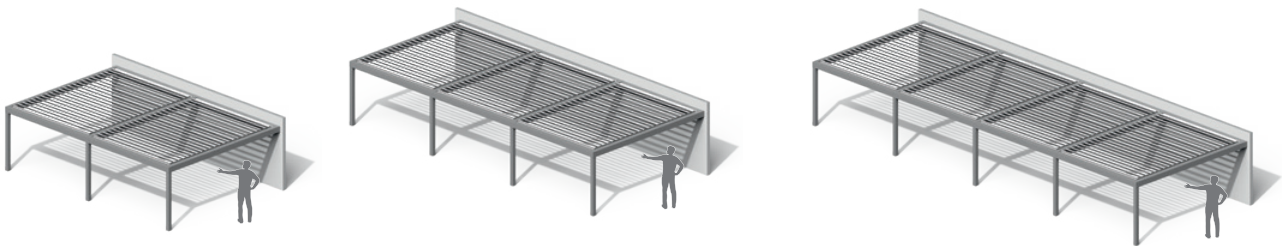
Artares	Number of posts	Short side (max. length)	Long side max. (max. length)
1-section unit	4 posts	7,000 mm	4,500 mm
2-section unit	6 posts	6,000 mm	9,000 mm
3-section unit	8 posts	6,000 mm	13,500 mm
4-section unit	10 posts	6,000 mm	18,000 mm



2-section unit

3-section unit

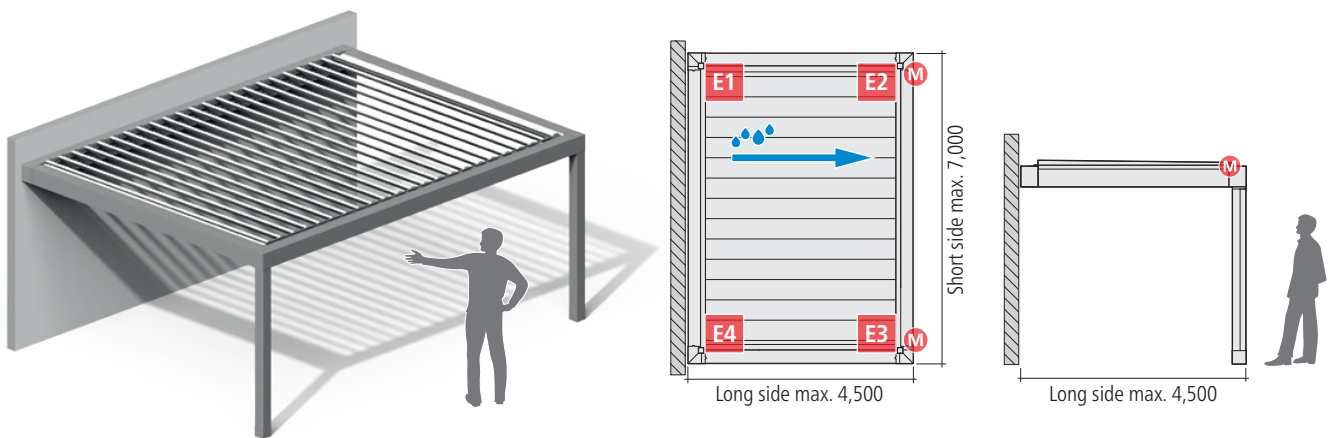
4-section unit



Artares configuration (coupling on short side)

Artares with wall connection profile on the short side

Artares	Number of posts	Short side (max. length)	Long side max. (max. length)
1-section unit	4 posts	7,000 mm	4,500 mm
2-section unit	6 posts	6,000 mm	9,000 mm
3-section unit	8 posts	6,000 mm	13,500 mm
4-section unit	10 posts	6,000 mm	18,000 mm



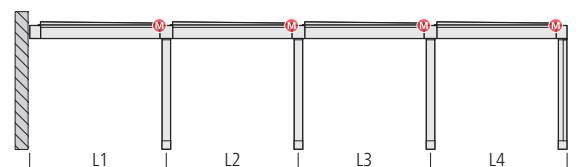
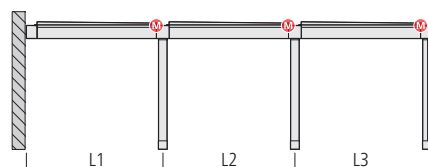
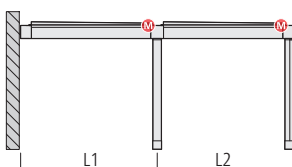
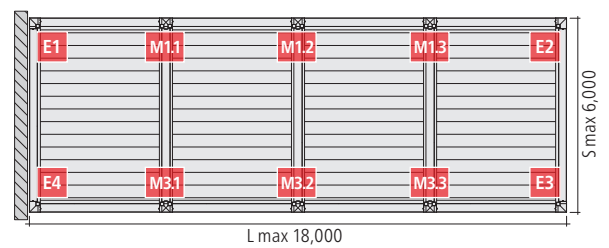
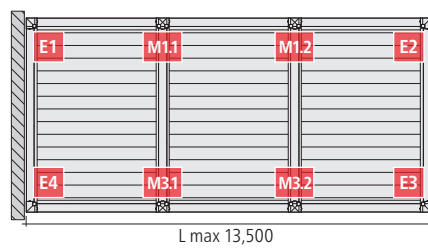
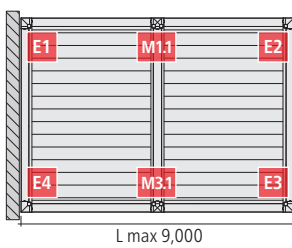
2-section unit



3-section unit



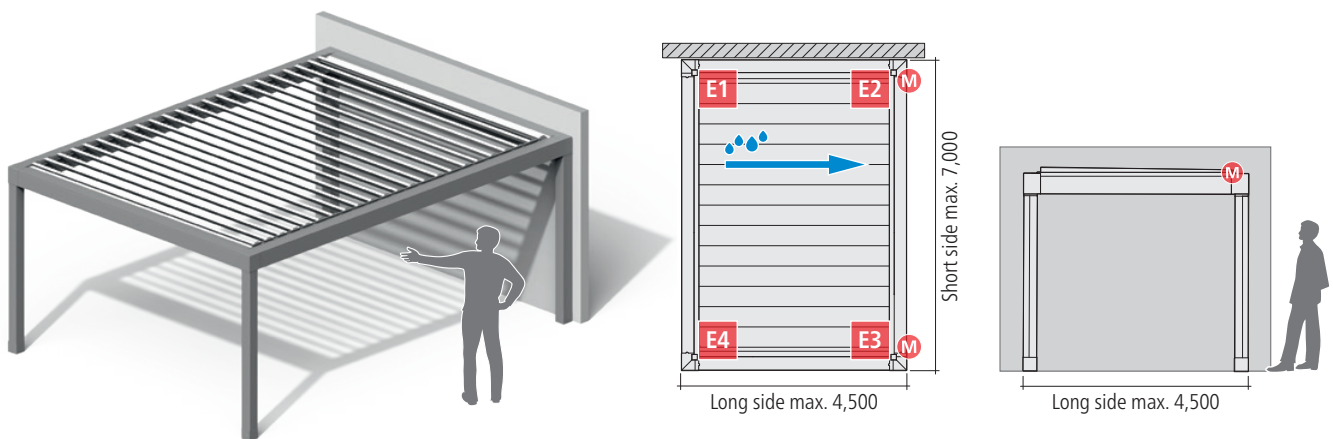
4-section unit



Artares configuration (coupling on short side)

Artares with wall post on the long wall side

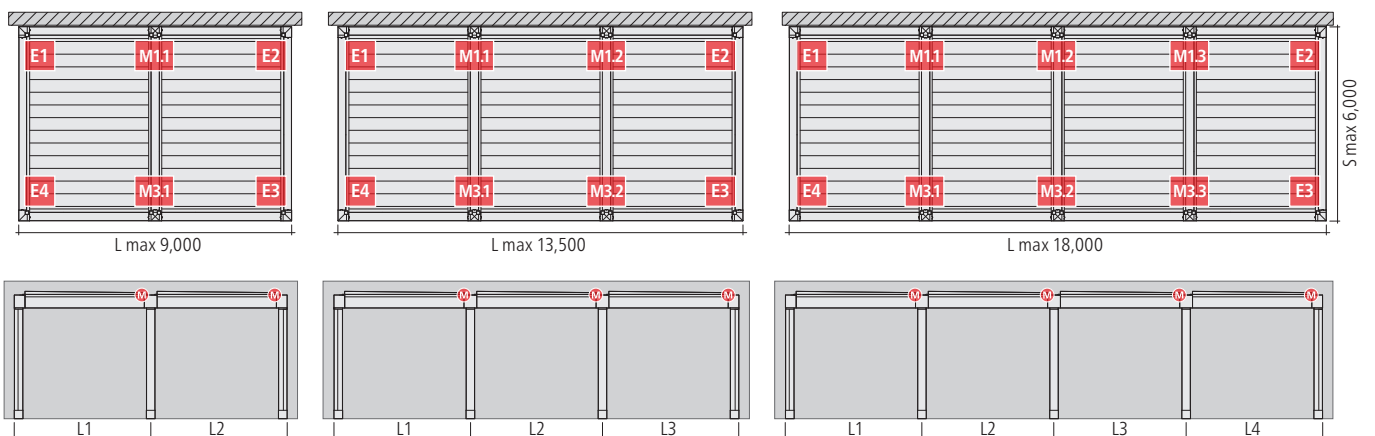
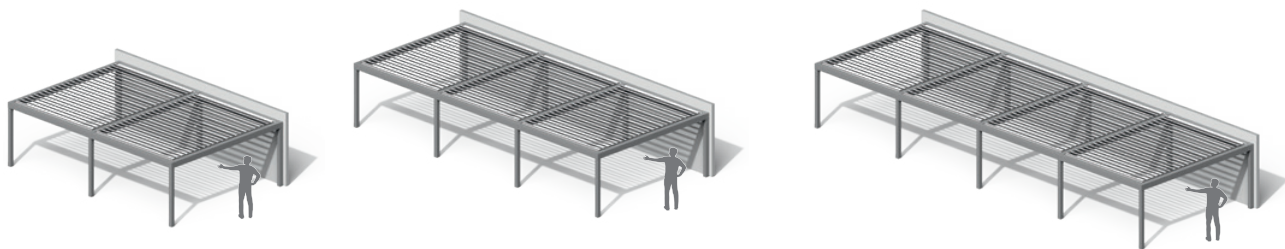
Artares	Number of posts	Short side (max. length)	Long side max. (max. length)
1-section unit	4 posts	7,000 mm	4,500 mm
2-section unit	6 posts	6,000 mm	9,000 mm
3-section unit	8 posts	6,000 mm	13,500 mm
4-section unit	10 posts	6,000 mm	18,000 mm



2-section unit

3-section unit

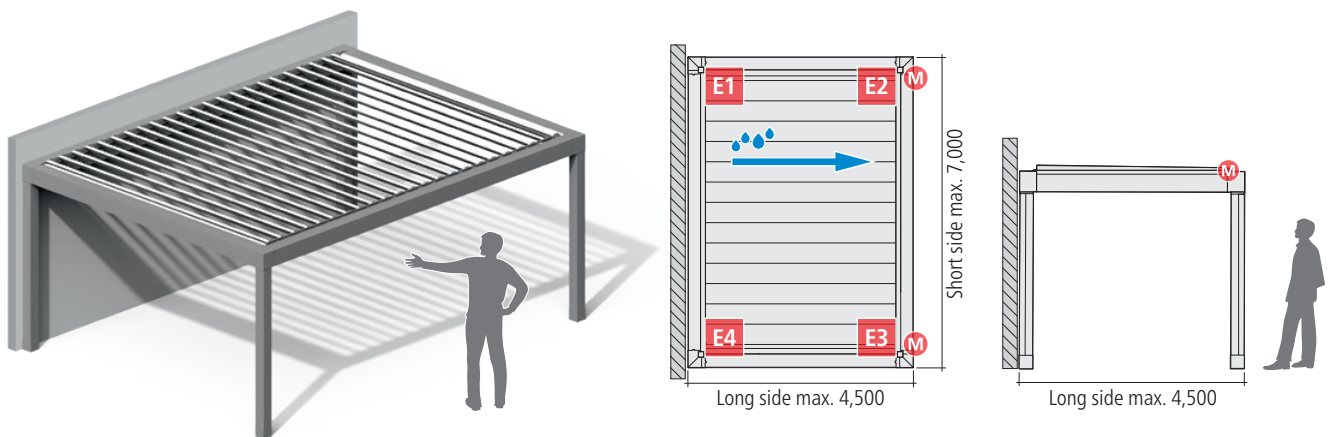
4-section unit



Artares configuration (coupling on short side)

Artares with wall post on the short wall side

Artares	Number of posts	Short side (max. length)	Long side max. (max. length)
1-section unit	4 posts	7,000 mm	4,500 mm
2-section unit	6 posts	6,000 mm	9,000 mm
3-section unit	8 posts	6,000 mm	13,500 mm
4-section unit	10 posts	6,000 mm	18,000 mm



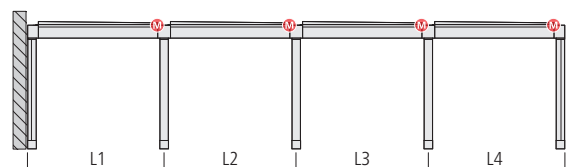
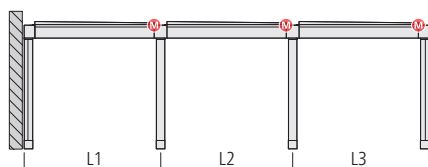
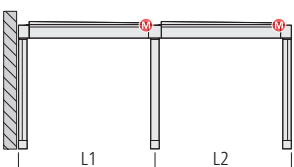
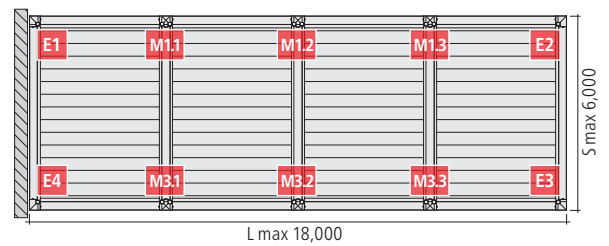
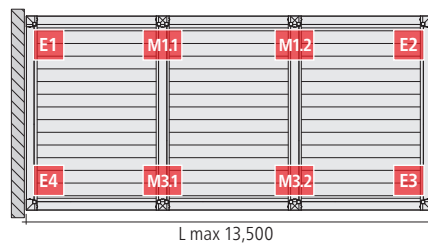
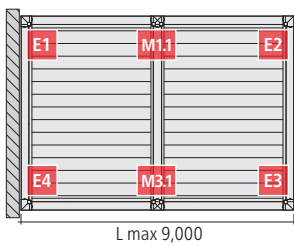
2-section unit



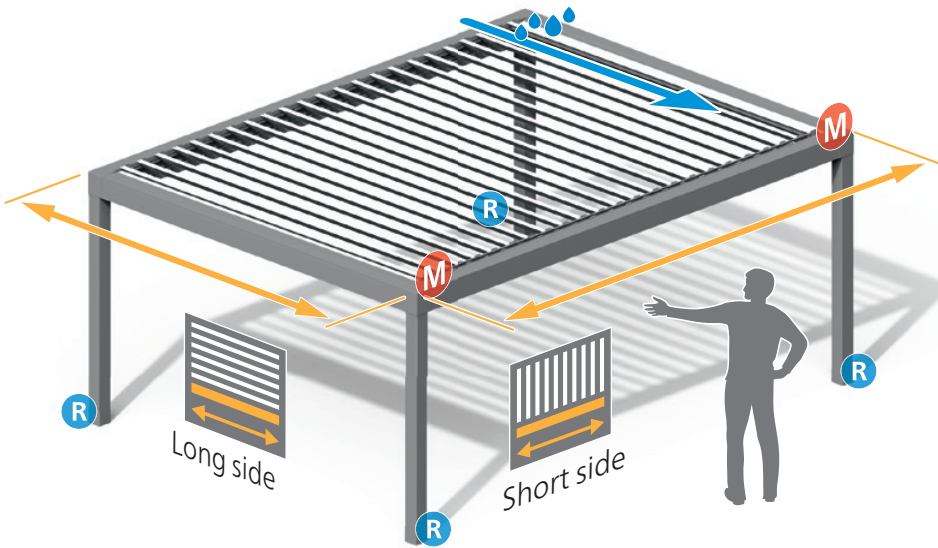
3-section unit



4-section unit



Artares configuration (coupling on the long side)



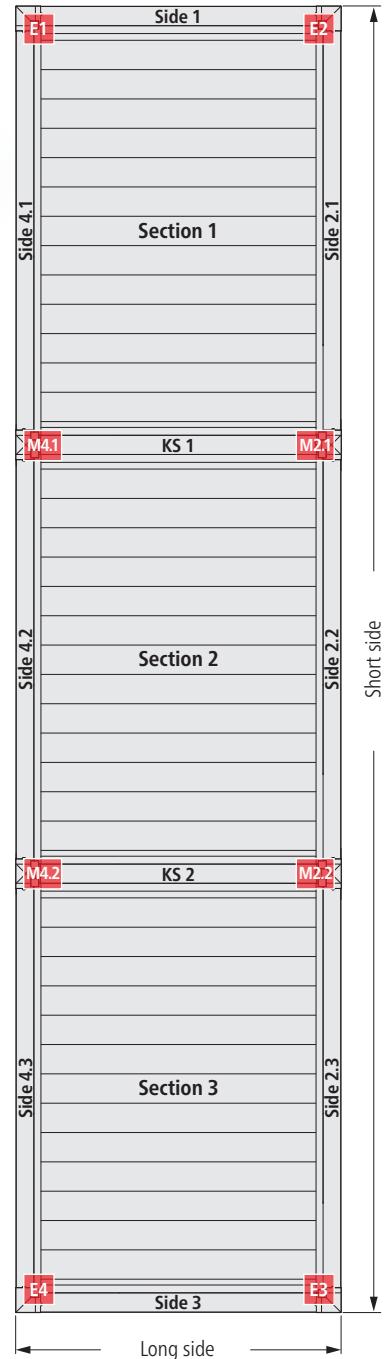
M
Possible motor positions depending on mains connection side



R
Possible rain drainage in the post

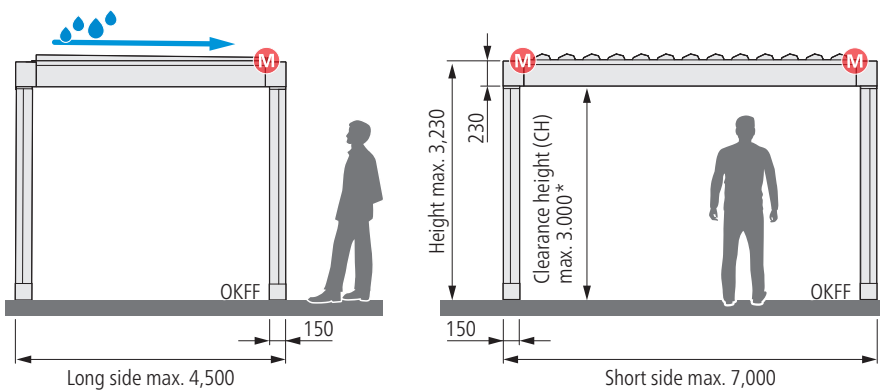


Coupling logic
Example: 3-section system, coupled on the long side



Viewing point

The viewing point is always on the rain drain side. At the same time, this is also the side on which the motor for the motor louvre is located.



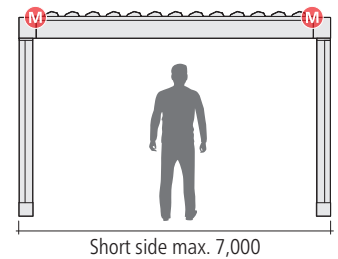
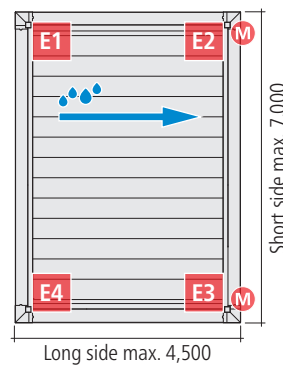
* With vertical sun protection up to max. 3,000 mm

Artares configuration (coupling on the long side)

Free-standing Artares

Artares can be installed free-standing: as a coupled system with up to four sections and a maximum length of 24,000 mm on the short side and 4,500 mm on the long side.

Artares	Number of posts	Short side (max. length)	Long side max. (max. length)
1-section unit	4 posts	7,000 mm	4,500 mm
2-section unit	6 posts	12,000 mm	4,500 mm
3-section unit	8 posts	18,000 mm	4,500 mm
4-section unit	10 posts	24,000 mm	4,500 mm



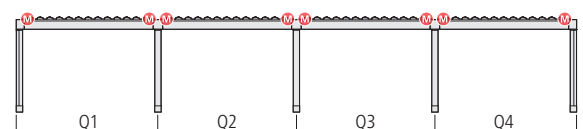
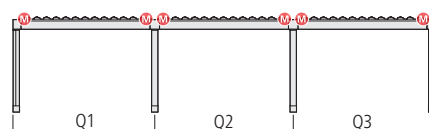
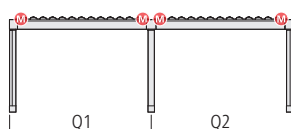
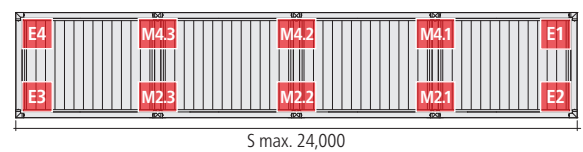
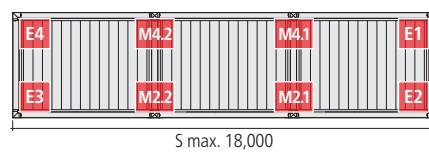
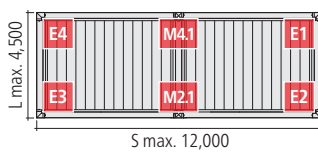
2-section unit



3-section unit



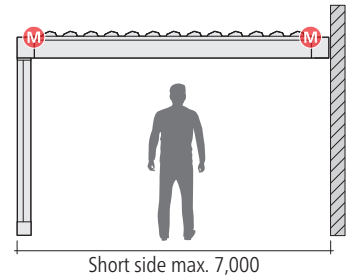
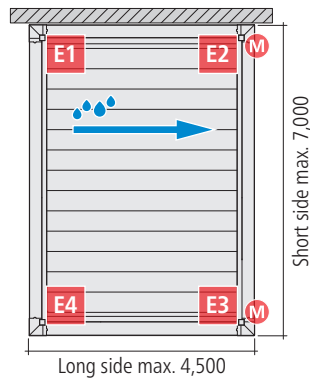
4-section unit



Artares configuration (coupling on the long side)

Artares with wall connection profile on the long wall side

Artares	Number of posts	Short side (max. length)	Long side max. (max. length)
1-section unit	2 posts, 1 wall connection profile	7,000 mm	4,500 mm
2-section unit	3 posts	12,000 mm	4,500 mm
3-section unit	4 posts	18,000 mm	4,500 mm
4-section unit	5 posts	24,000 mm	4,500 mm



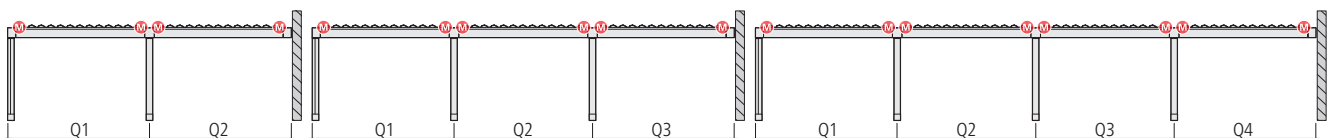
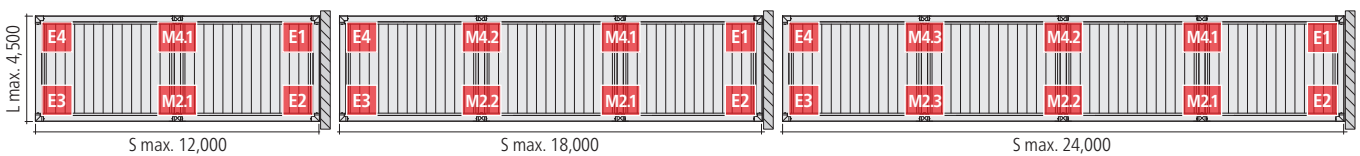
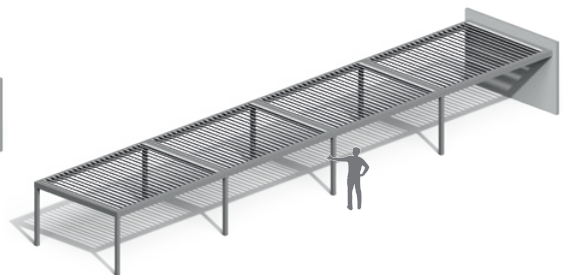
2-section unit



3-section unit



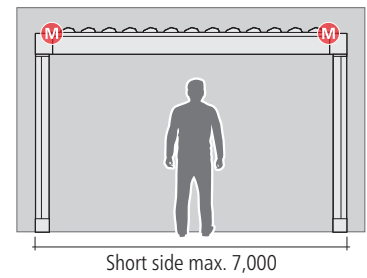
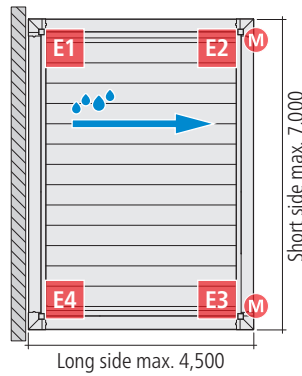
4-section unit



Artares configuration (coupling on the long side)

Artares with wall connection profile on the short wall side

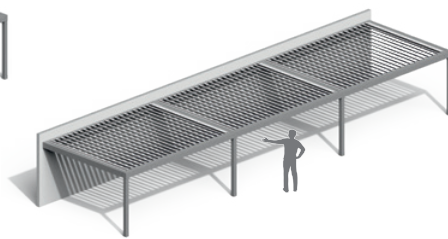
Artares	Number of posts	Short side (max. length)	Long side max. (max. length)
1-section unit	2 posts	7,000 mm	4,500 mm
2-section unit	3 posts	12,000 mm	4,500 mm
3-section unit	4 posts	18,000 mm	4,500 mm
4-section unit	5 posts	24,000 mm	4,500 mm



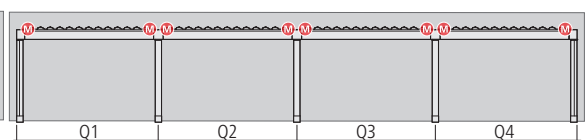
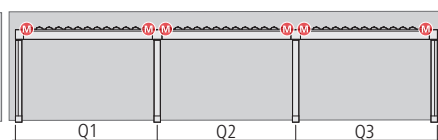
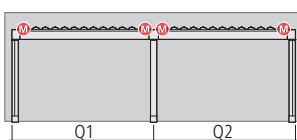
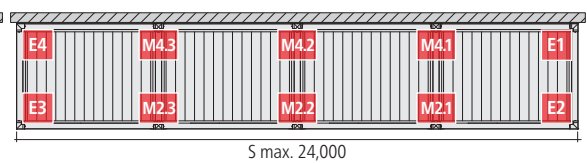
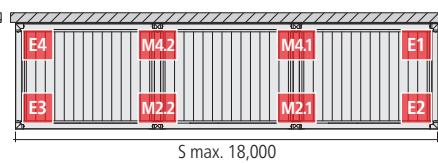
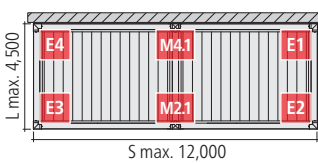
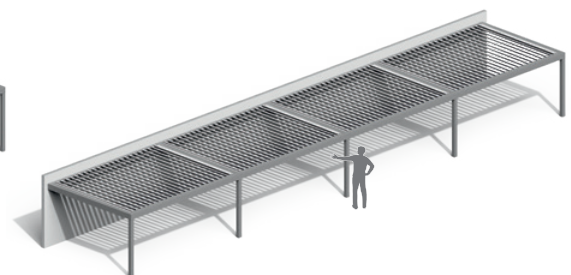
2-section unit



3-section unit



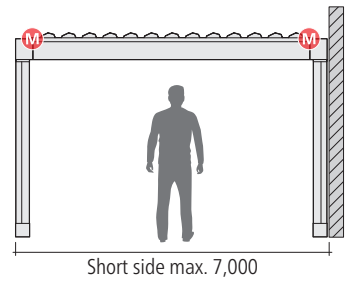
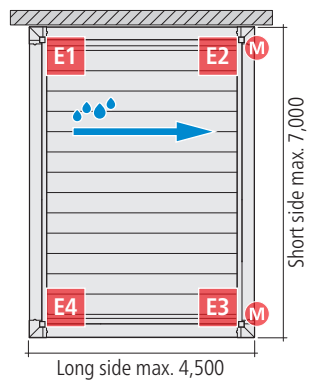
4-section unit



Artares configuration (coupling on the long side)

Artares with wall post on the long wall side

Artares	Number of posts	Short side (max. length)	Long side max. (max. length)
1-section unit	4 posts	7,000 mm	4,500 mm
2-section unit	6 posts	12,000 mm	4,500 mm
3-section unit	8 posts	18,000 mm	4,500 mm
4-section unit	10 posts	24,000 mm	4,500 mm



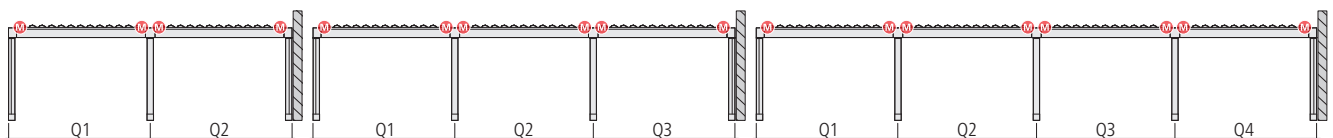
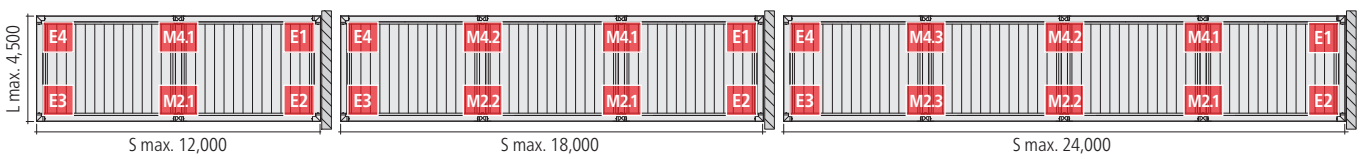
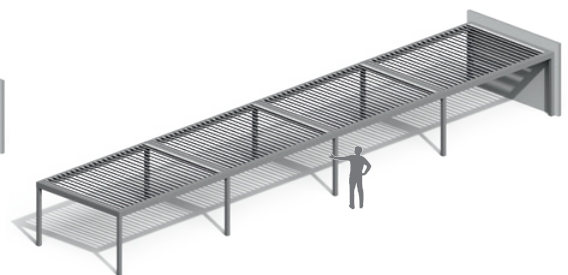
2-section unit



3-section unit



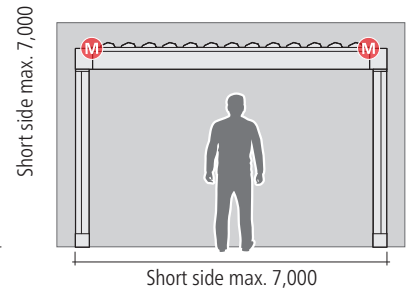
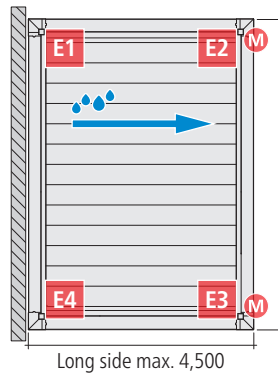
4-section unit



Artares configuration (coupling on the long side)

Artares with wall post on the short wall side

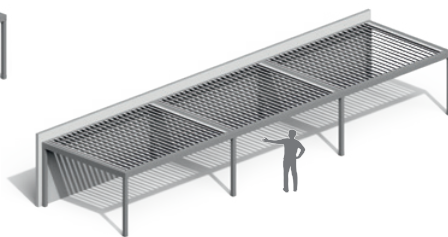
Artares	Number of posts	Short side (max. length)	Long side max. (max. length)
1-section unit	4 posts	7,000 mm	4,500 mm
2-section unit	6 posts	12,000 mm	4,500 mm
3-section unit	8 posts	18,000 mm	4,500 mm
4-section unit	10 posts	24,000 mm	4,500 mm



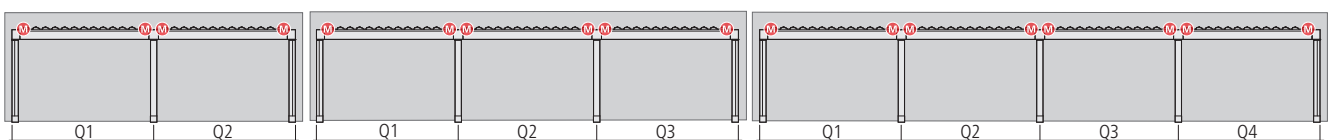
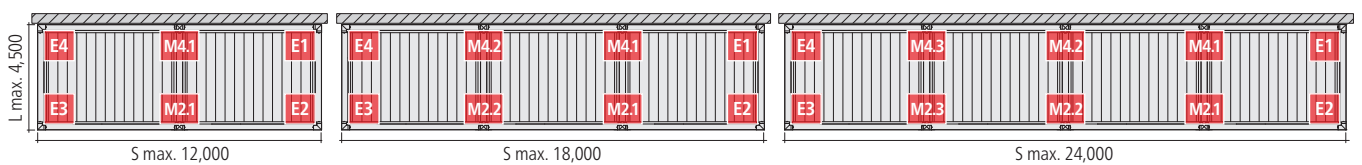
2-section unit



3-section unit



4-section unit



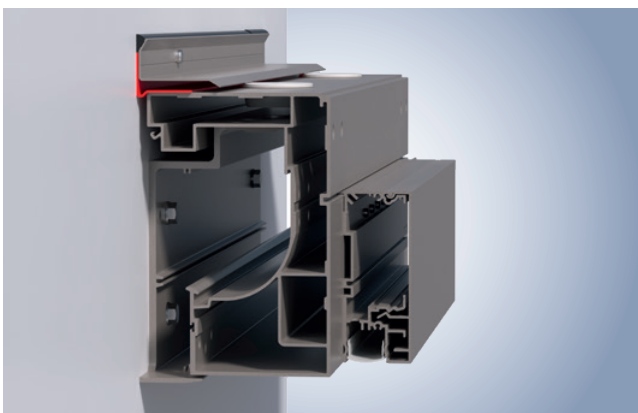
Wall profile



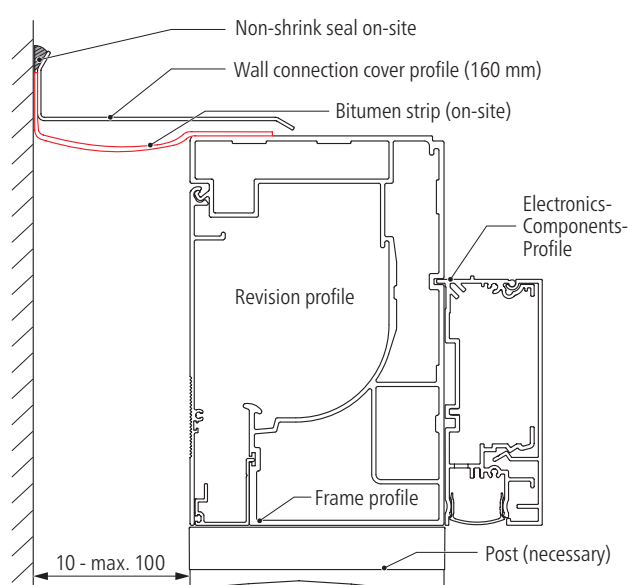
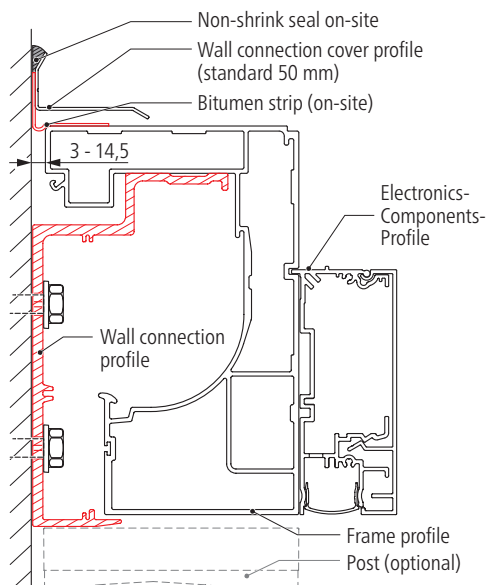
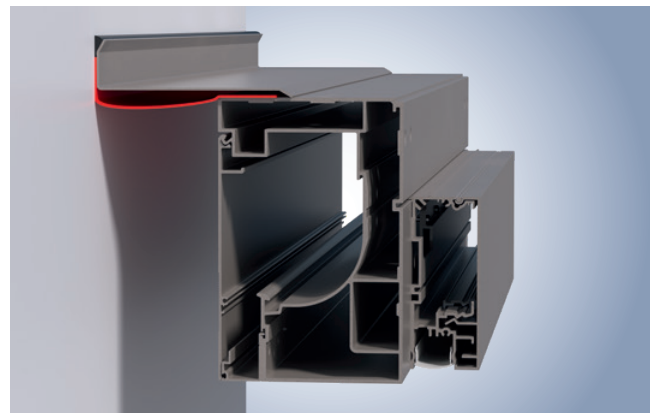
Wall profile for short side

The louvered roof Artares is conveniently and sturdily installed on a wall, using the wall connection profile screwed onto the wall (load-bearing). The wall connection profile compensates approx. 10 mm installation tolerance to the frame profile.

Artares wall connection profile (load-bearing)



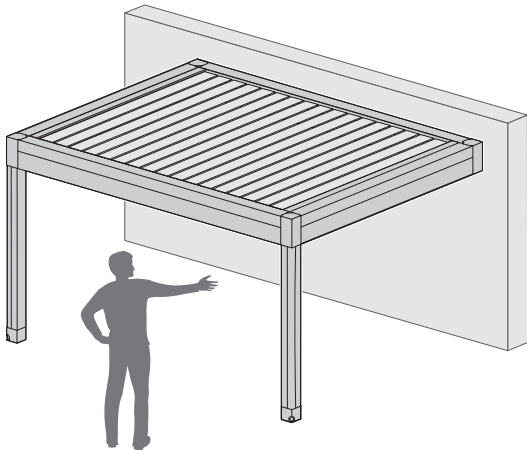
Free-standing Artares by the wall with wall offset



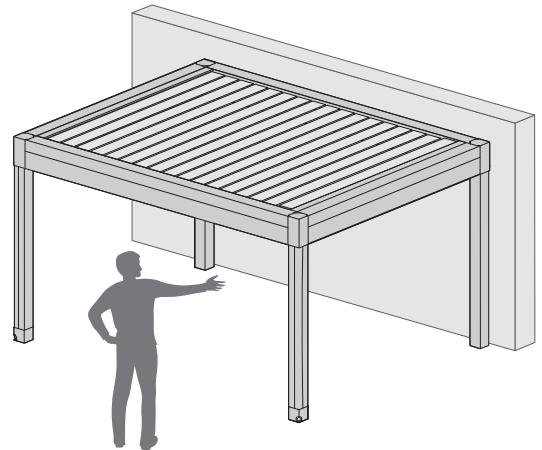
Wall profile

Wall profile for Artares

The louvred roof Artares can be installed on a wall from all sides and provides the fitting solution for several requirements.

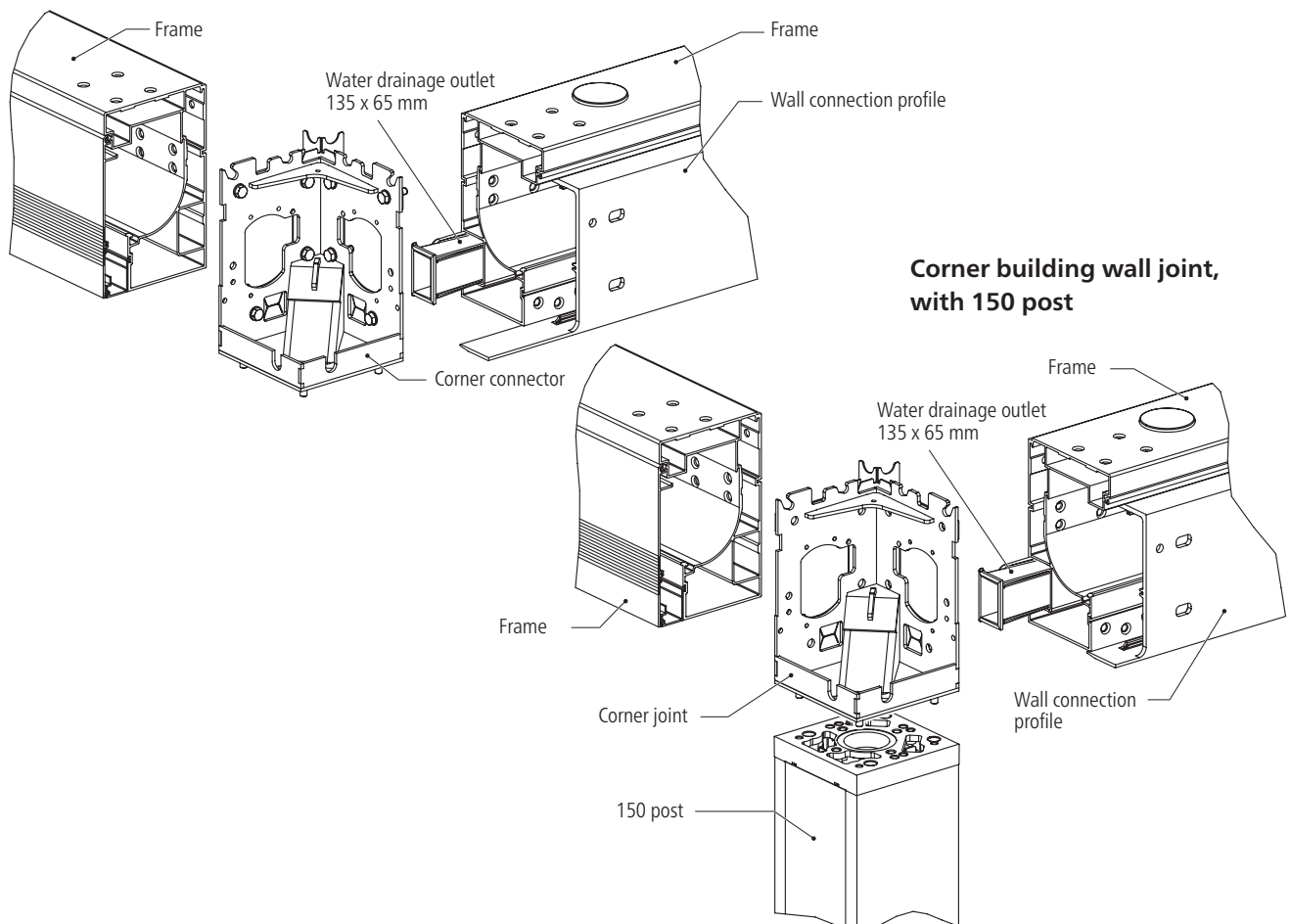


Short wall side (2 posts)



Short wall side (4 posts)

Corner joint on building wall, closed at the bottom (without posts)

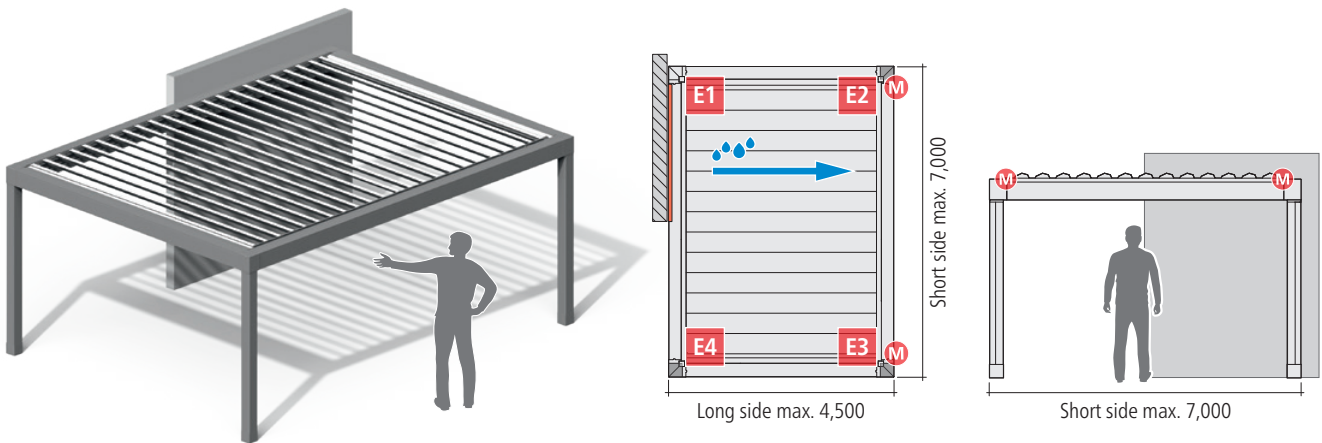


Corner building wall joint, with 150 post

Wall profile

Artares with a partial wall connection frame on the short side

The louvred roof Artares is conveniently and sturdily installed on a wall, using the wall connection profile screwed onto the wall (load-bearing). The wall connection profile compensates approx. 10 mm installation tolerance to the frame profile.



Note:



Retrofitting vertical sun protection

The vertical sun protection for Artares with a partial wall connection frame can always be retrofitted. The revision profile is accordingly accessible. An additional centre/wall post is necessary for installation.

Wall connection frame on a partially protruding wall



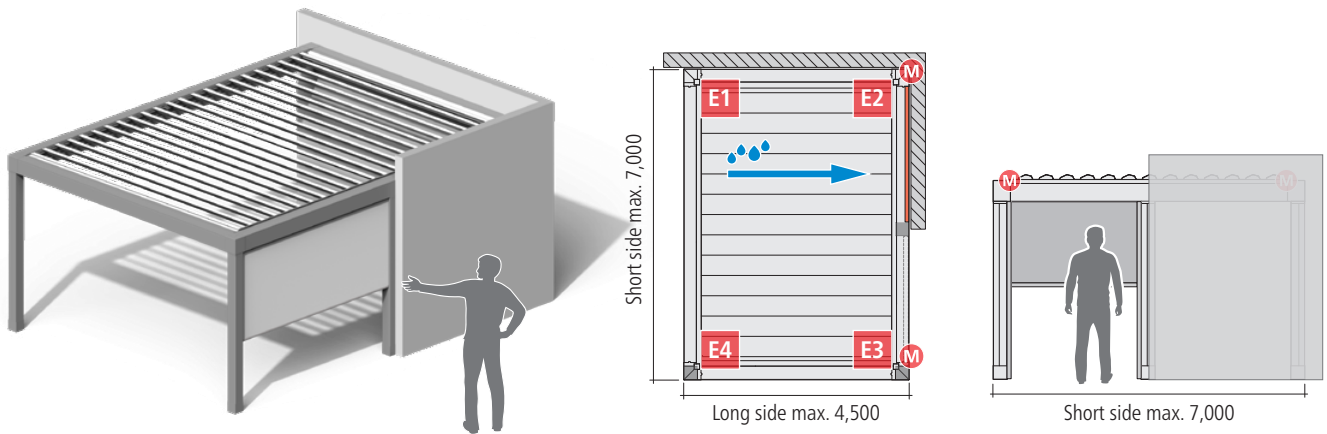
Wall connection profile on a partially protruding wall



Wall profile

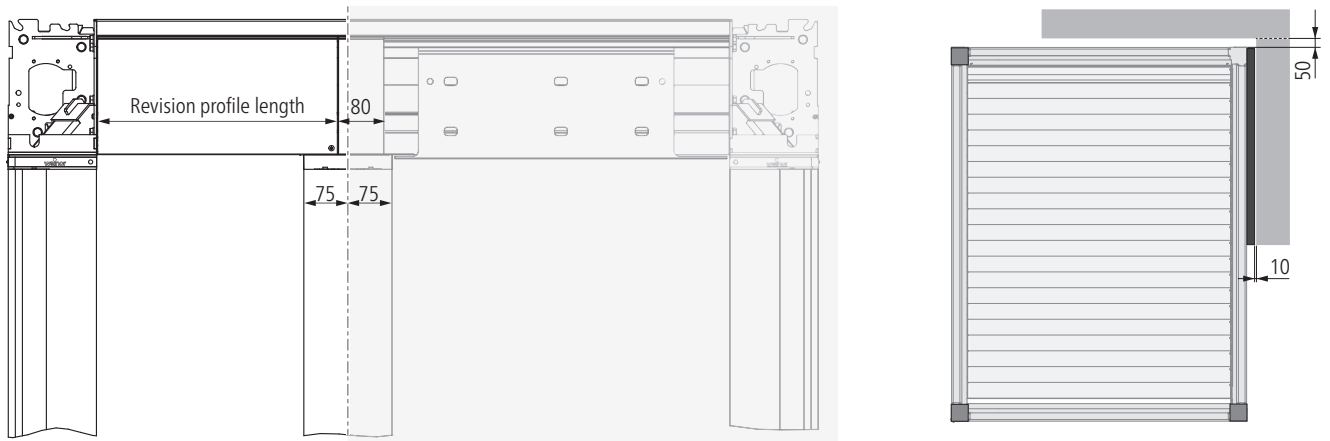
Artares with a partial wall connection frame (niche installation), centre post/wall

The louvred roof Artares is conveniently and sturdily installed on a wall, using the wall connection profile screwed onto the wall (load-bearing). The wall connection profile compensates approx. 10 mm installation tolerance to the frame profile.



Niche installation

For niche installation with a wall connection profile on the long side, a space of 50mm to the wall must be added. The centre post/wall must be half covered by the wall.



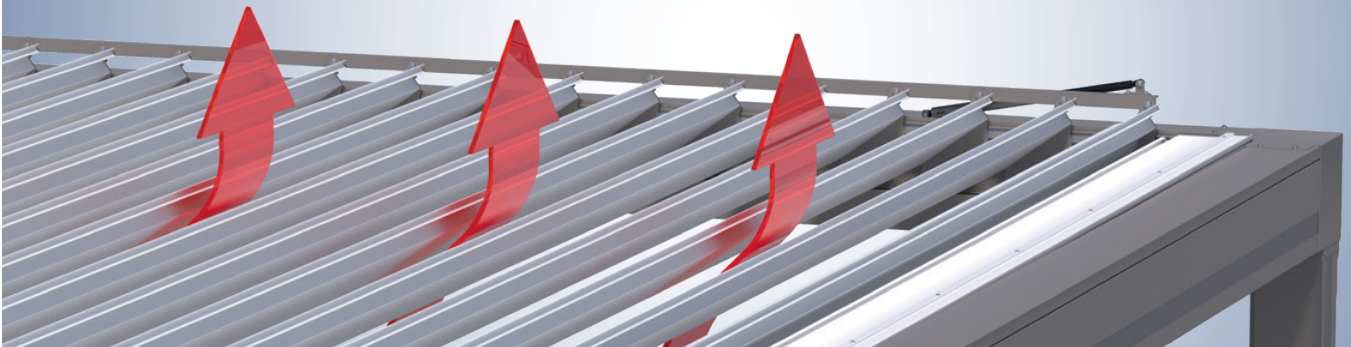
Wall connection frame for niche installation with centre/wall post



Wall connection profile for niche installation with centre/wall post



Bioclimatic properties

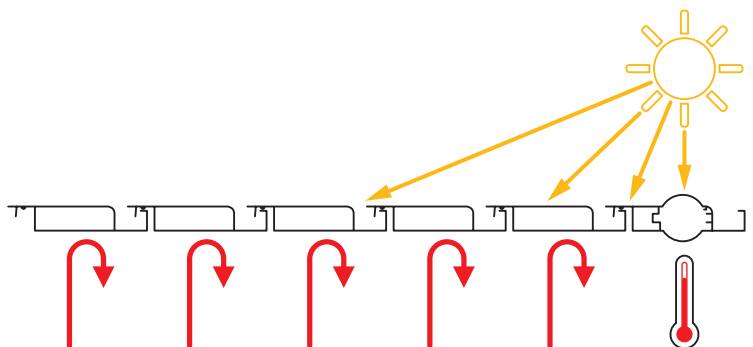


Natural climate control

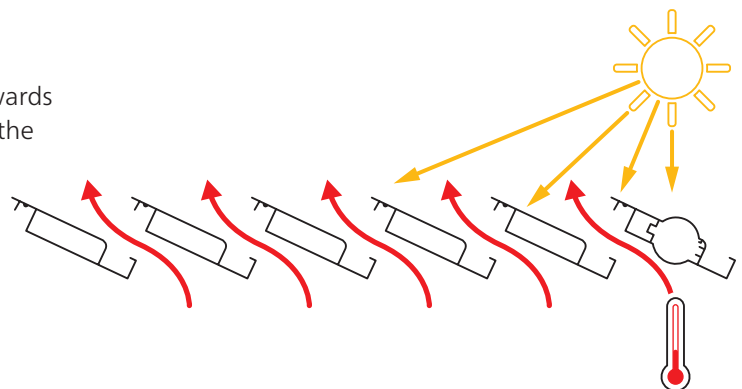
Artares offers excellent bioclimatic properties. Thanks to newly developed motor technology, the louvres can be opened and closed fast up to 140° and with little noise. Already when the louvres are opened slightly, natural ventilation arises because the heat can escape upwards.

At the same time, the louvres can be positioned so that the sun protection is always ideal. The louvres are simply closed on cooler evenings and the louvred roof stores the residual heat from the day. This ensures an excellent climate under the louvred roof.

If the louvres are closed, the heat remains under the louvred roof. This primarily makes sense if it is somewhat cooler on the patio in the evening.



Once the louvres are opened, the heat escapes upwards naturally. This prevents a build-up of heat beneath the louvred roof.



Note:



Ideally, the louvres are installed so that they open towards the sun. If so, when slightly open, the best possible shade is formed at the same time. Otherwise, the louvre must be extended beyond 90° in order to achieve ventilation and maximise shade.

Shadow casting

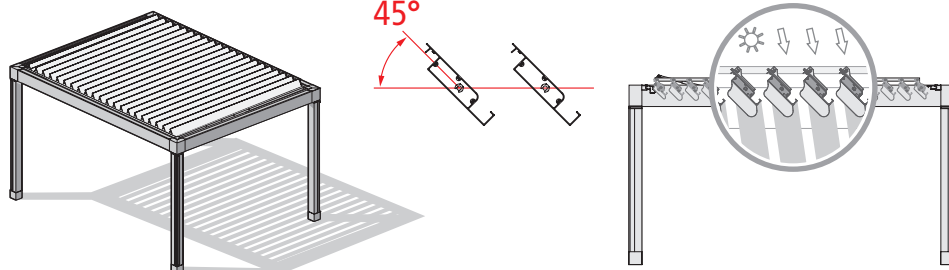


Shadow casting

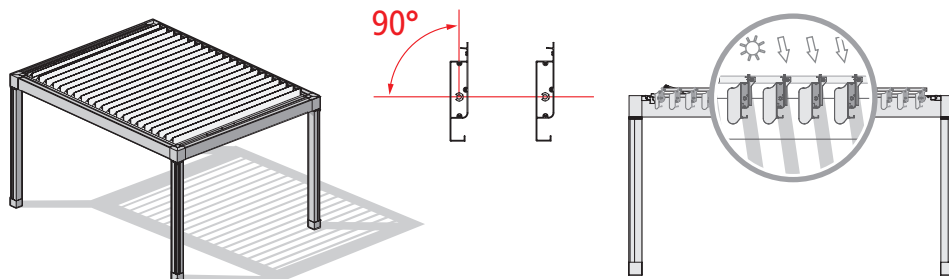
Depending on the compass direction, light ingress can be easily controlled by adjusting the position of the louvres. When the angle of incidence changes, the shadow effect changes accordingly.



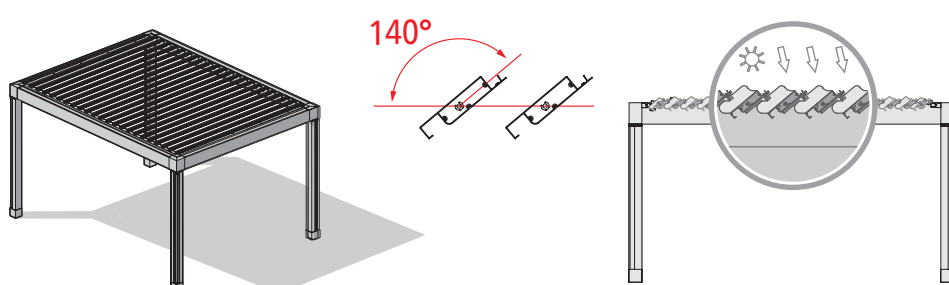
Light incidence during the midday period in summer



If the louvres are slightly open, you can regulate the ingress of sunlight.



If the louvres are opened wide, this generates a high ingress of light.



If the louvres are fully rotated, this generates the most extensive and effective shade.

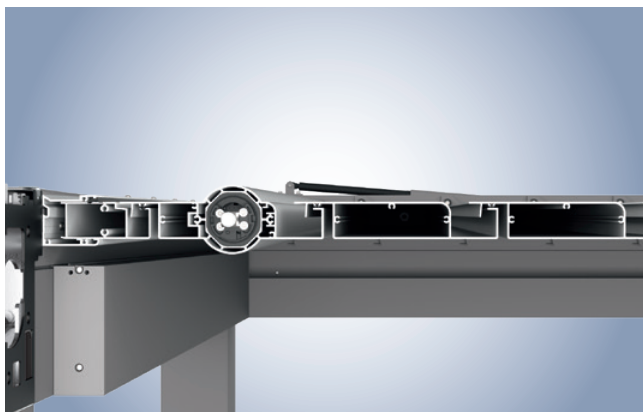
Innovative louvred roof



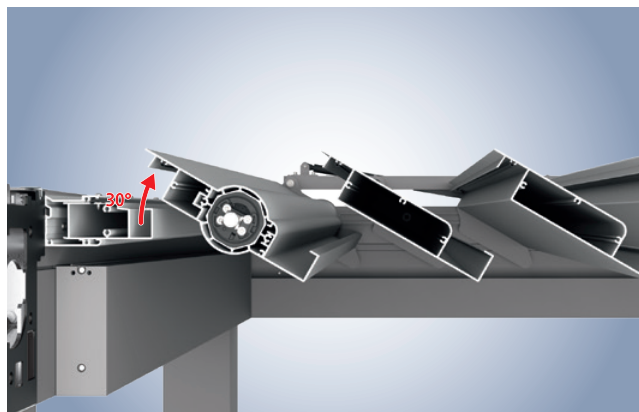
Louvre rotation

Thanks to newly developed motor technology, the louvres can be opened quickly and moved to the desired position quietly and steplessly. Therefore, ideal shadow casting is generated in accordance with the louvre position and alignment with the compass direction.

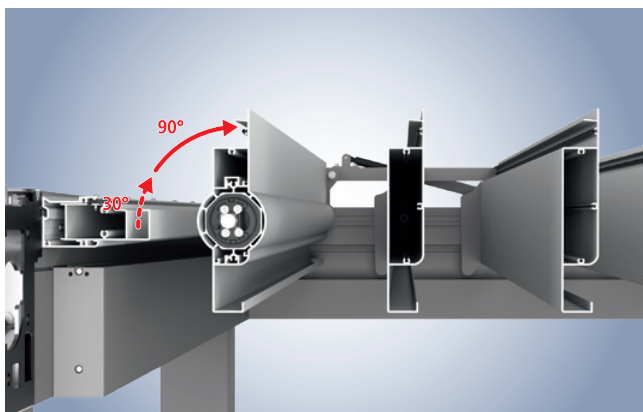
Louvre closed



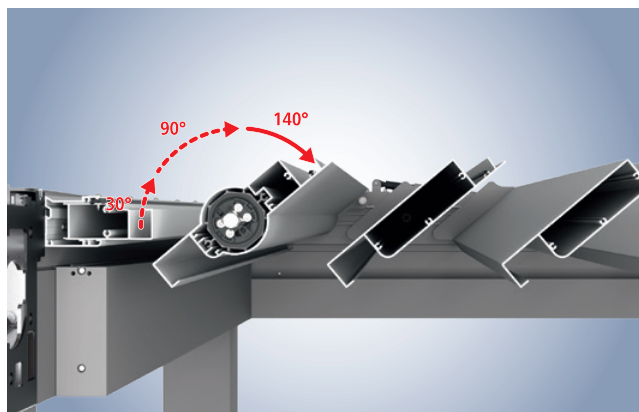
Louvre 30° opening



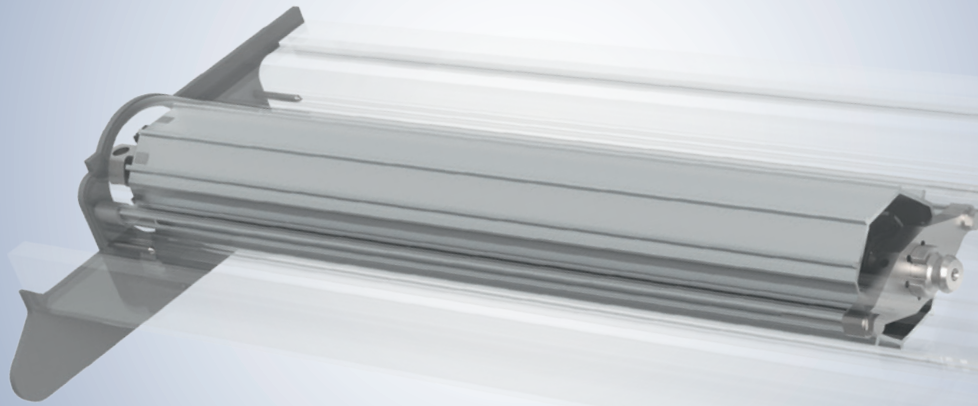
Louvre 90° opening



Louvre 140° opening



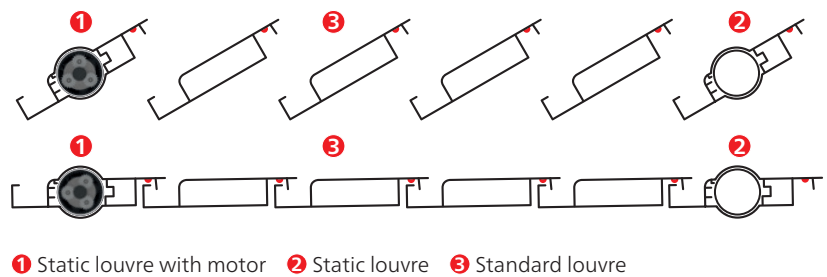
Innovative louvred roof



Strong drive

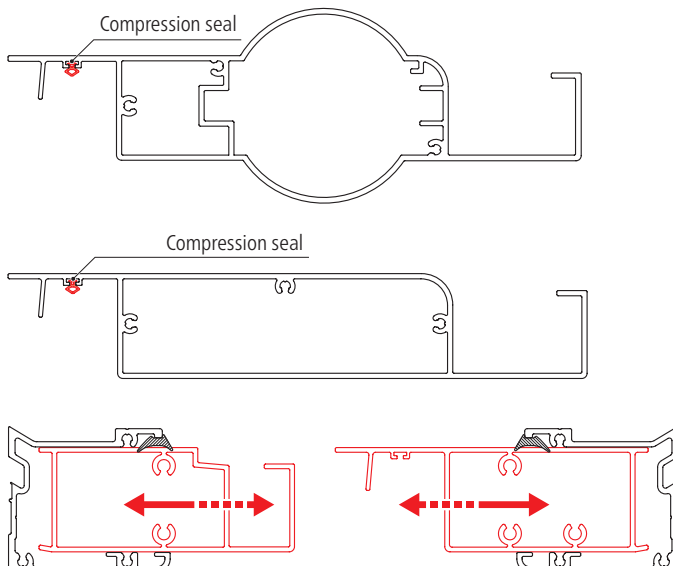
The top-performing tubular motor in the motor louvre ensures even and fast louvre rotation.

A static louvre exists on both long sides and can be equipped with a tubular motor. The tubular motor is integrated on-site at the location closest to the power connection.



Compression seal

The compression seal ensures low-noise closing and good sealing between the louvres. Despite this compensation, neighbouring louvres may appear slightly stepped, however this doesn't impair the function at all.



Static louvre (with or without motor)

The static louvre is always located on both sides and its shape provides high stability in case of lateral interfering wind loads.

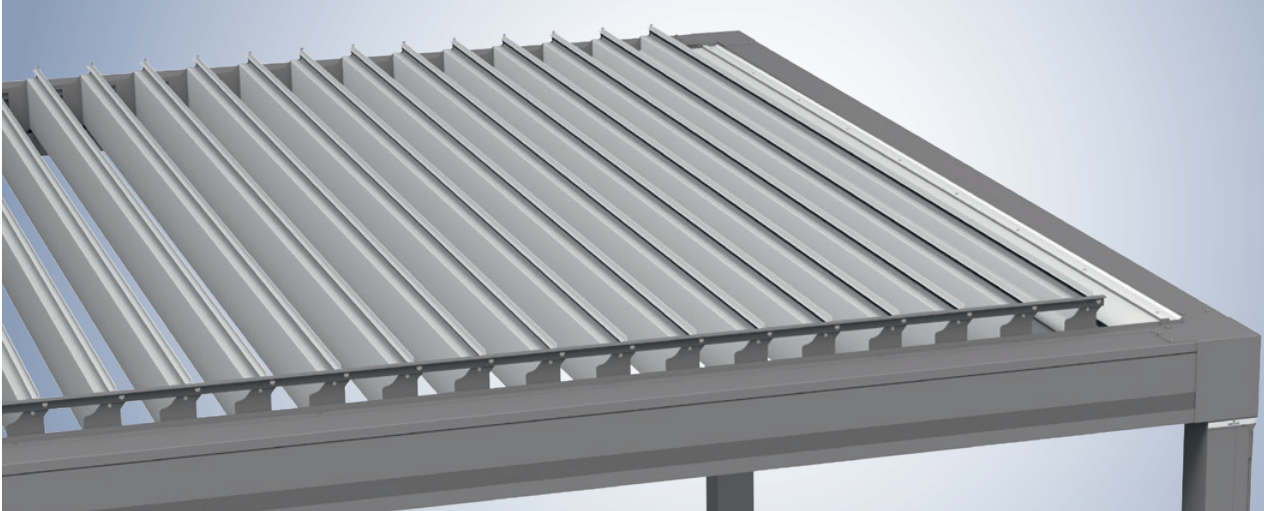
Standard louvre

When closed, the standard louvres provide a uniform surface and look.

Compensation louvres

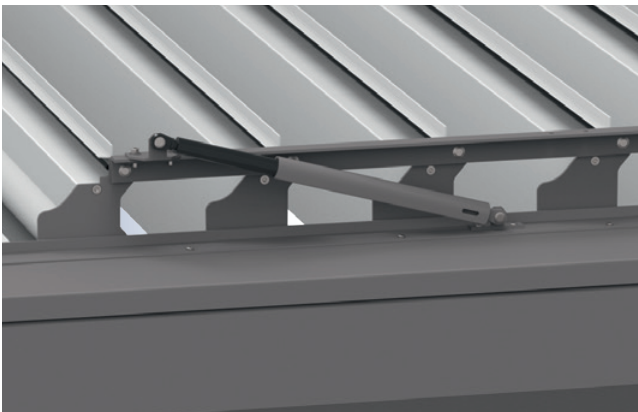
Due to their adjustability, they ensure that all intermediate dimensions can be ordered to the millimetre.

Drive rod and damper



Drive rod

The drive rod connects all the louvres and enables movement via stainless steel bolts in high-quality plastic bushing. It ensures durability and quiet running.

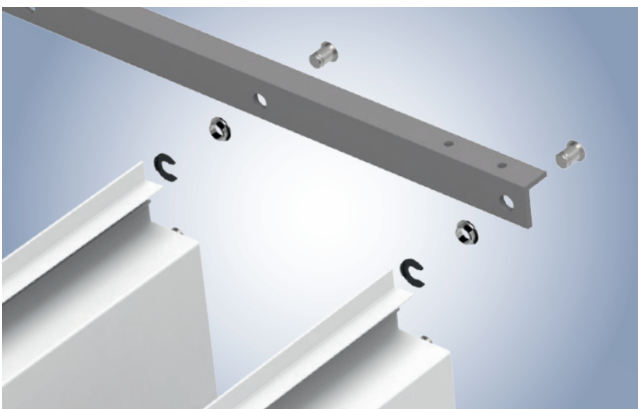


Damper

The damper ensures effective louvre counter-pressure. It prevents any swinging or movement and also helps against potential rattling in windy conditions.

Louvre mounting

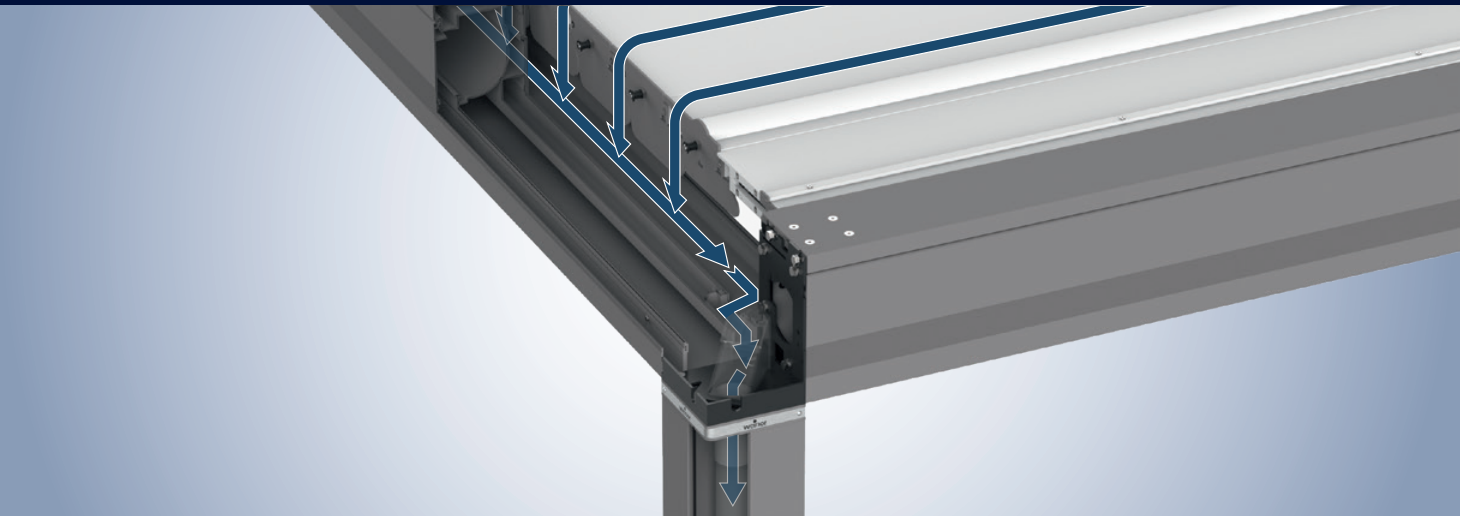
The louvres are held by durable, stable stainless steel bolts and plastic cushioned washers and ensure quiet running.



Note:

Despite state-of-the-art manufacturing processes, slight tolerances (± 4 mm) cannot always be avoided when the louvres are closed. Depending on the louvre colour and angle of view, they may be visible as a slight offset.

Rainwater drainage

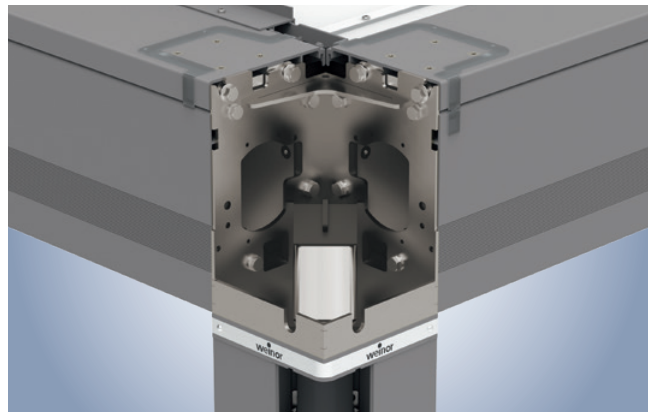


Rainwater drainage on the louvred roof

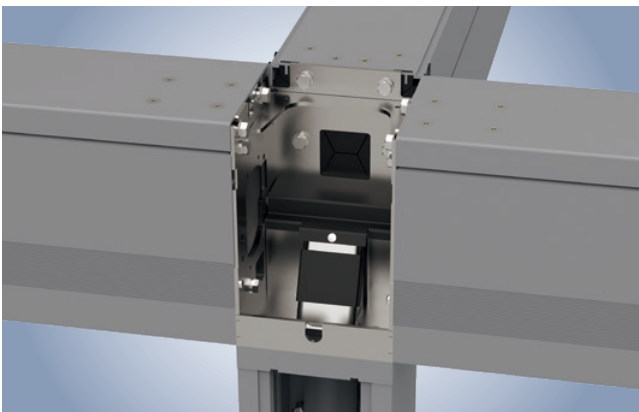
The water is guided via the guttering to the corner joint and then into the subtly integrated plastic pipe through the post.



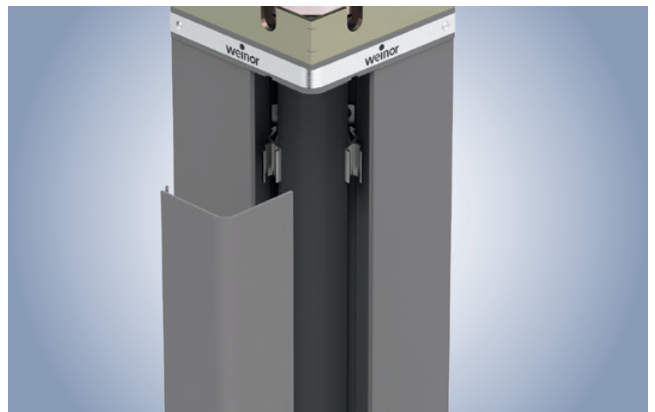
Drainage via the guttering



Drainage via the corner joint



Drainage at the coupling point



The post can easily be opened for maintenance of the integrated plastic pipe

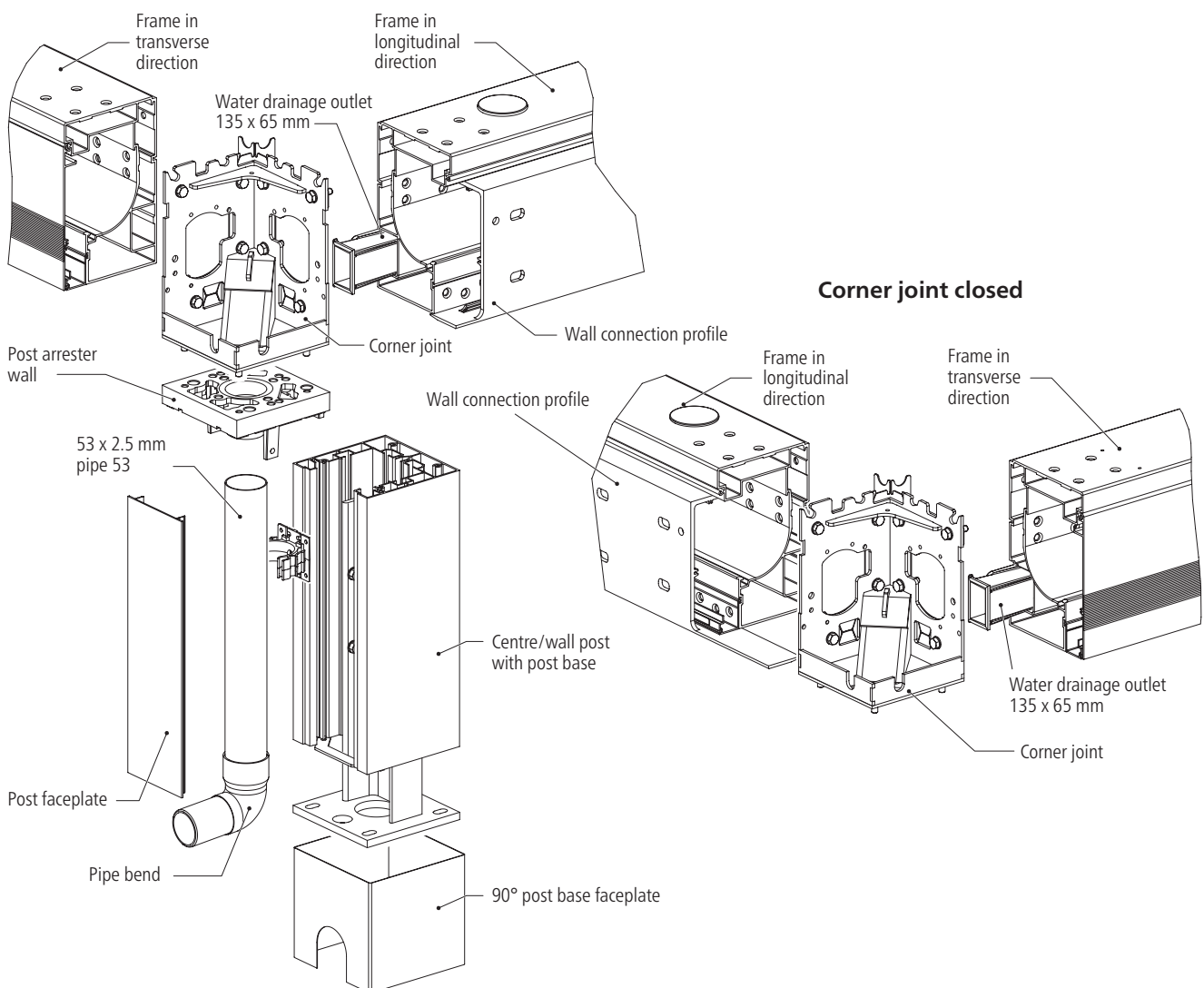
Rain drain on wall profile



Water drainage at the wall profile

A centre/wall post enables visually inconspicuous draining off of rainwater. This is also optionally available with an open downpipe set.

Open corner joint with drainage through the post (standard)



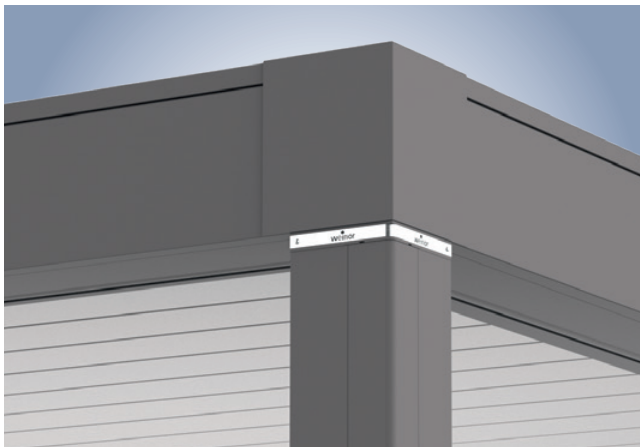
Artares frame (fascia)



Frame with engraving design (standard)

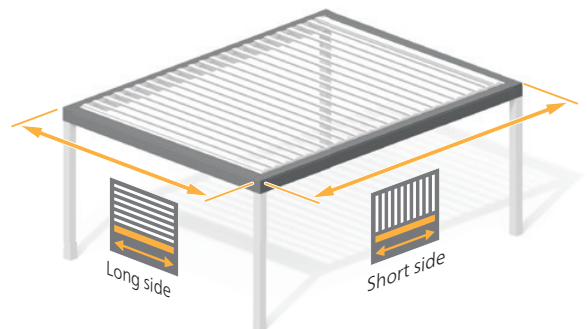
Fascia in two stylish design versions

As a standard, the fascia is equipped with the distinctive engraving design. If you prefer it more puristic, select the optional plain design with a smooth faceplate.

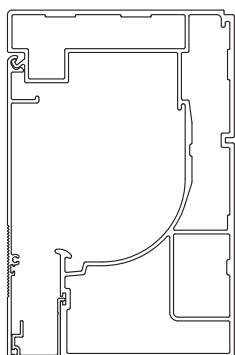


Plain design frame (optional)

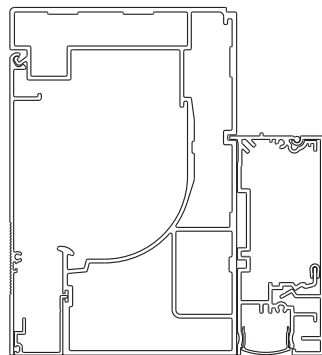
The statically highly durable frame construction and the corner joint connection ensure particularly good stability.



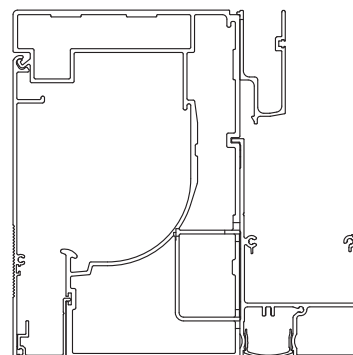
Frame long side



Frame long side with E-component profile



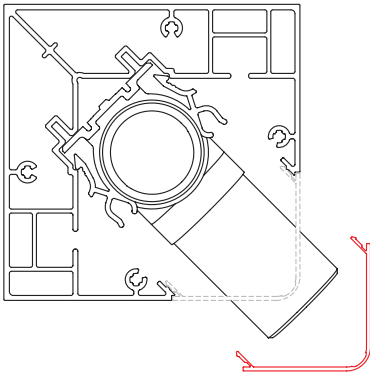
Frame short side with rain gutter



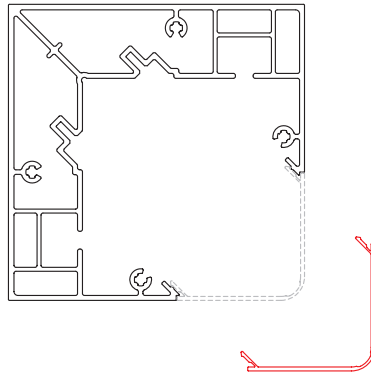
Posts

Post (standard design)

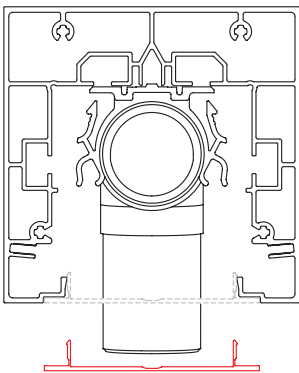
The Artares posts are designed with a continuous post faceplate as standard.



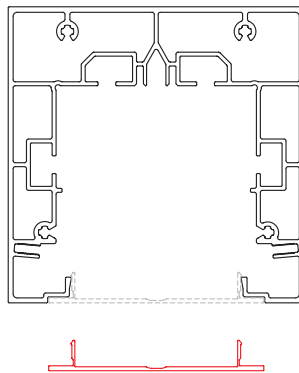
External post with drain accessories



External post



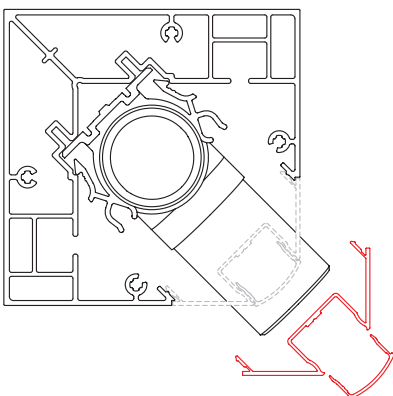
Centre/wall post with drain accessories



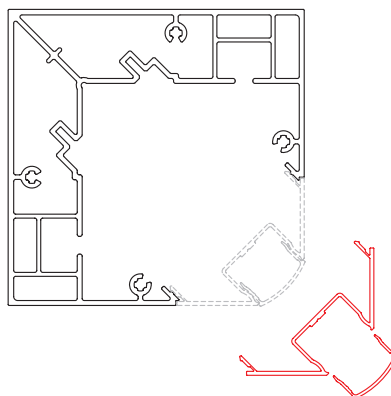
Centre post / wall

Post with decorative strip (optional)

Optionally, the posts can be fitted with coloured decorative strips. No decorative strips can be fitted in the centre or wall post.



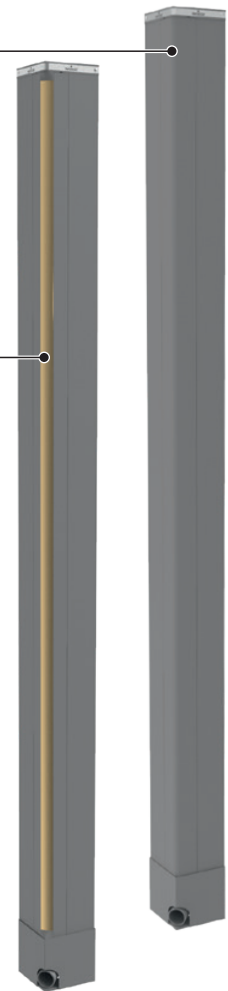
External post with drain accessories



External post

Post (standard design)

Post with decorative strip



Note:

For the individual drainage version, the position and length of the decorative strip must be adapted during installation.

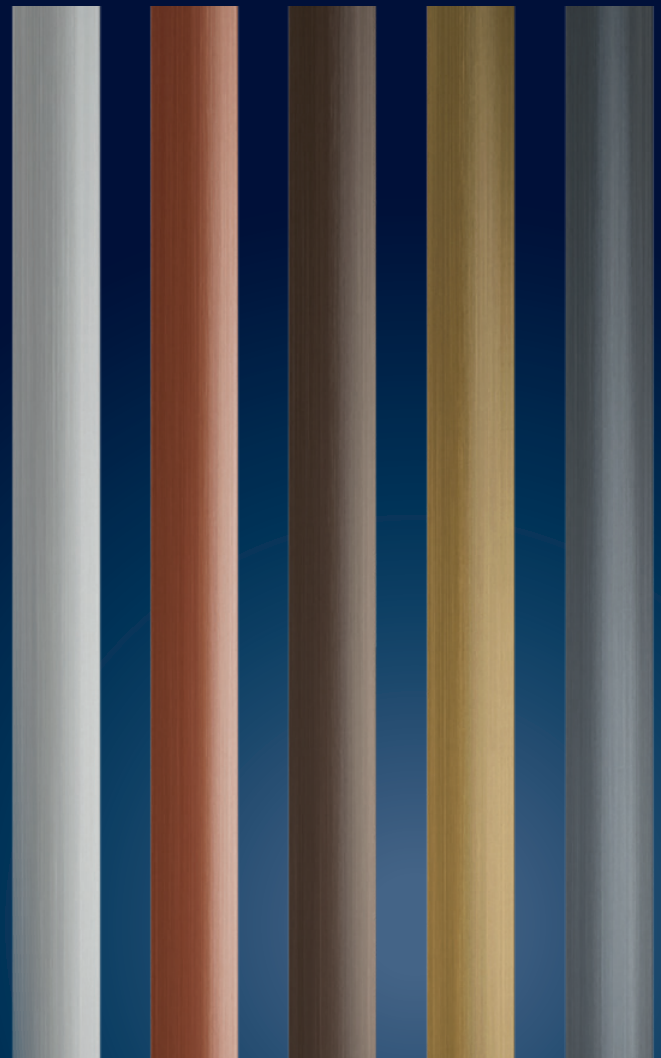
Post – exclusive decorative strips



With the 5 decorative strips (silver aluminium, copper aluminium, brown aluminium, brass aluminium and anthracite aluminium) you can break totally new ground when designing your customer's outdoor living space. The anodised aluminium material provides the customer's Artares louvred roof an elegant look.

The decorative strips can be integrated:

- Across the entire length of the posts' outsides
- On the underside of the fascia



Silver alu

Copper alu

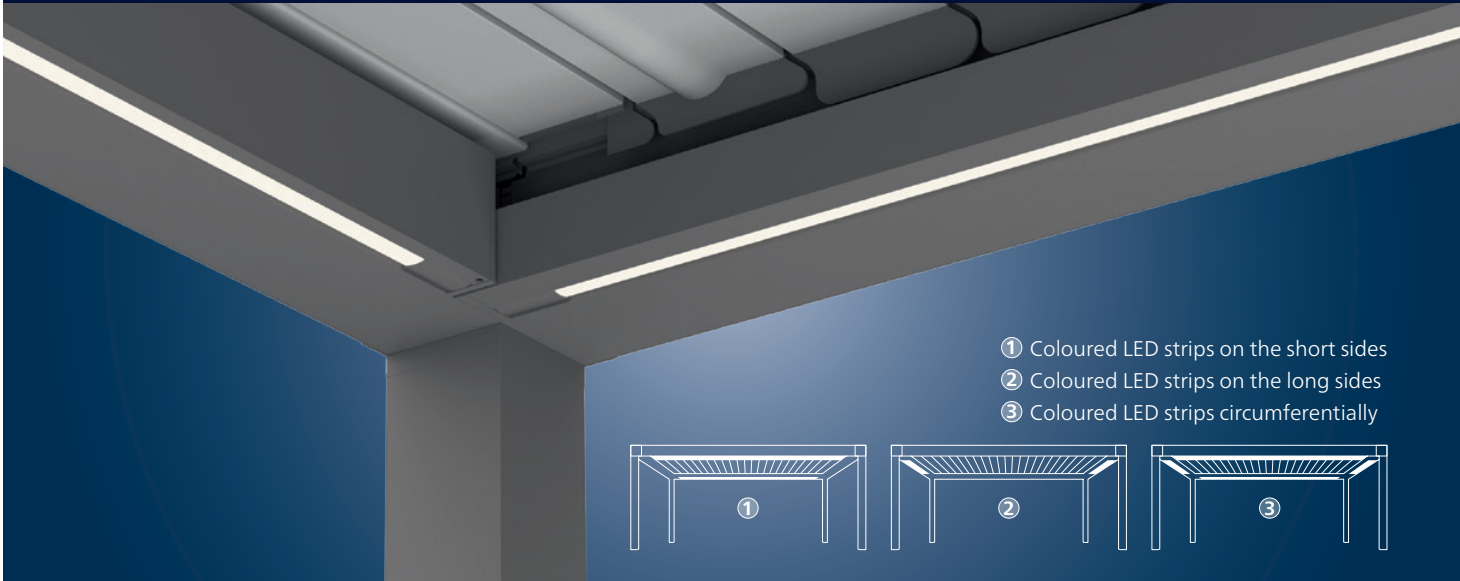
Brown alu

Brass alu

Anthracite alu

Only one decorative colour can be chosen per louvred roof, it is not possible to combine colours

LED light options

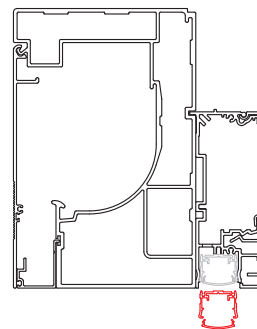


LED options at the bottom of the fascia

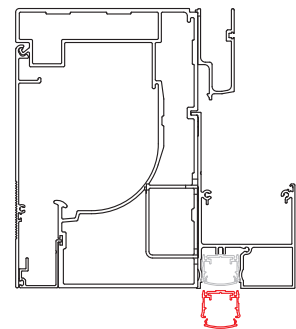
The fascia can be equipped on the individual frame sides, but also circumferentially, with high-quality coloured LED strips on the lower side.

- BiConnect control (RGB): 48 colours plus 3 shades of white
- Somfy io control (RGBW): Dependant on operation infinite colour options (up to 16 mio.) are possible

Huge spectrum of dimmable colours, depending on the control system.



Frame long side with RGB module



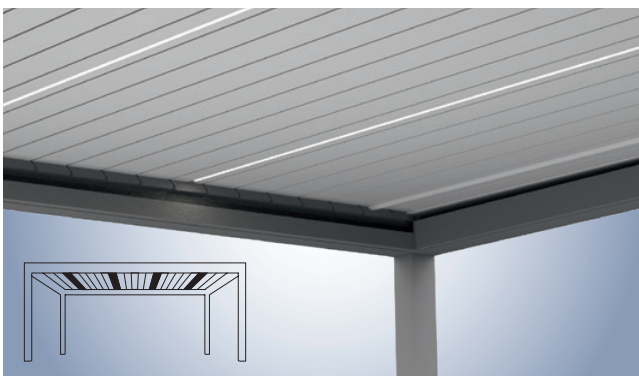
Frame short side with rain gutter and RGB module

LED options in the louvre

The warm white LED lighting is integrated in the louvres. A maximum of four louvres per section can be implemented. They can be positioned flexibly when ordering. Exception: For stability reasons, no two consecutive louvres may be lit. The positioning of the light louvres

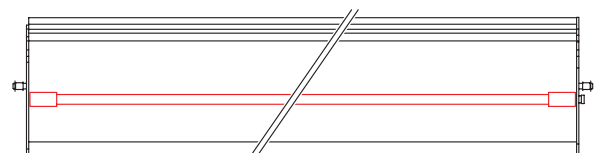
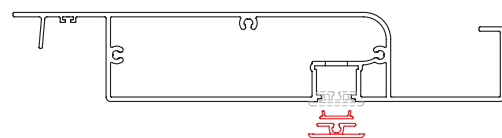
can be changed again on-site during installation (plus/minus 3 louvres).

- with BiConnect On/Off control (not dimmable).
- with Somfy io control (dimmable).



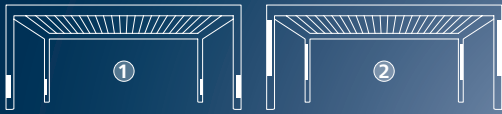
LED strips with warm-white light in the louvres

LED louvre

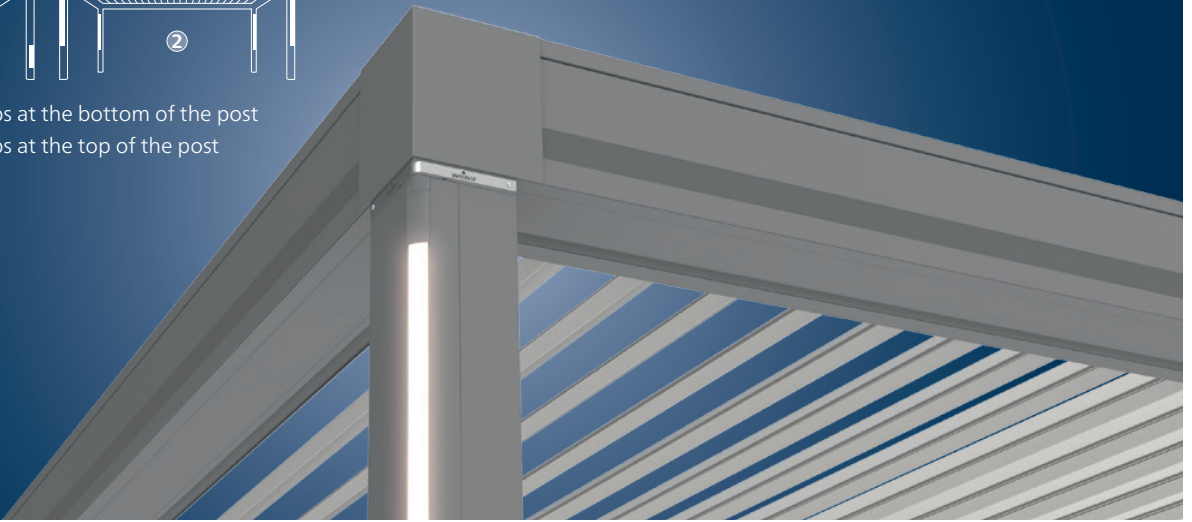


Standard louvre with integrated LED strip in the profile (not centred)

LED light options

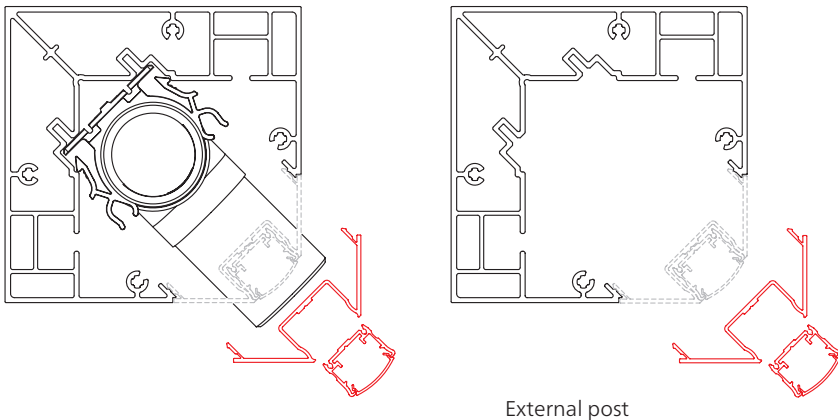


- ① Coloured LED strips at the bottom of the post
- ② Coloured LED strips at the top of the post



LED options in the posts

The external posts can be fitted externally with high-quality coloured LED strips (RGB/RGBW) as an option.

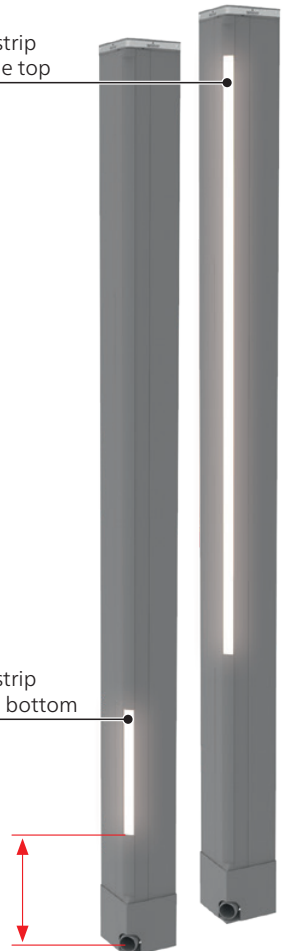


External post

Coloured LED strip
1600 mm at the top

Coloured LED strip
400 mm at the bottom

Min.
300 mm



Information:

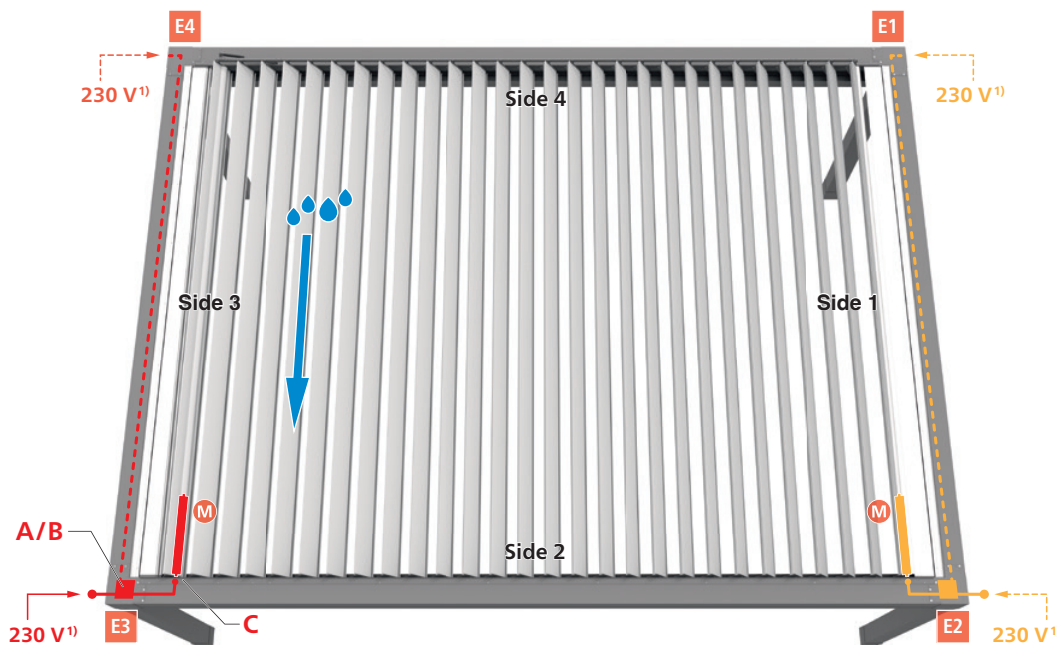
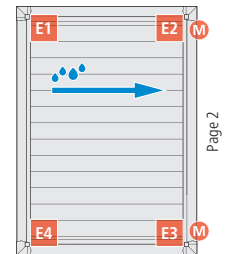
- Centre/wall posts cannot be combined with LED strips.
- We recommend always keeping to the same LED strip length in the post.
- Drainage through the post always must always be guided out of the post underneath the lighting. The colour LED strip must be at least 300 mm above the drain or water-bearing layer.
- The drainage height must be provided with the order (PA dimension).

Louvre motor cabling concept

Standard cabling concept:

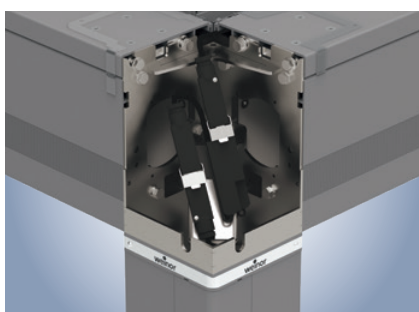
The main drive is always positioned on the mains connection side. The remote receivers for the louvre motor are positioned easy to access beneath the faceplate on the corner joint. Two versions exist, dependent on the side of the main terminal.

Motor position	Connection points	Version
Louvre motor left-hand side	Post E3 or E4	Remote receiver beneath corner joint Inspection faceplate on post E3
Louvre motor right-hand side	Post E1 or E2	Remote receiver beneath corner joint Inspection faceplate on post E2

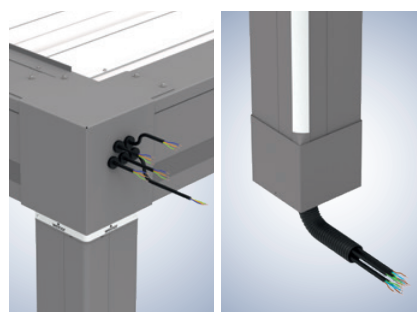


¹⁾ The main terminal connection can be selected freely in all corners. Here based on example E3. Connection cable with a minimum of 3 metres, all-included. Accordingly, the E-components are located in the respective long side of the louvred roof.

- Cabling at the left-hand side motor
- Cabling at the right-hand side motor



A The inspection faceplate on the corner joint ensures good accessibility to the remote receiver.



B Power connection possible through the corner joint faceplate or from beneath through the post



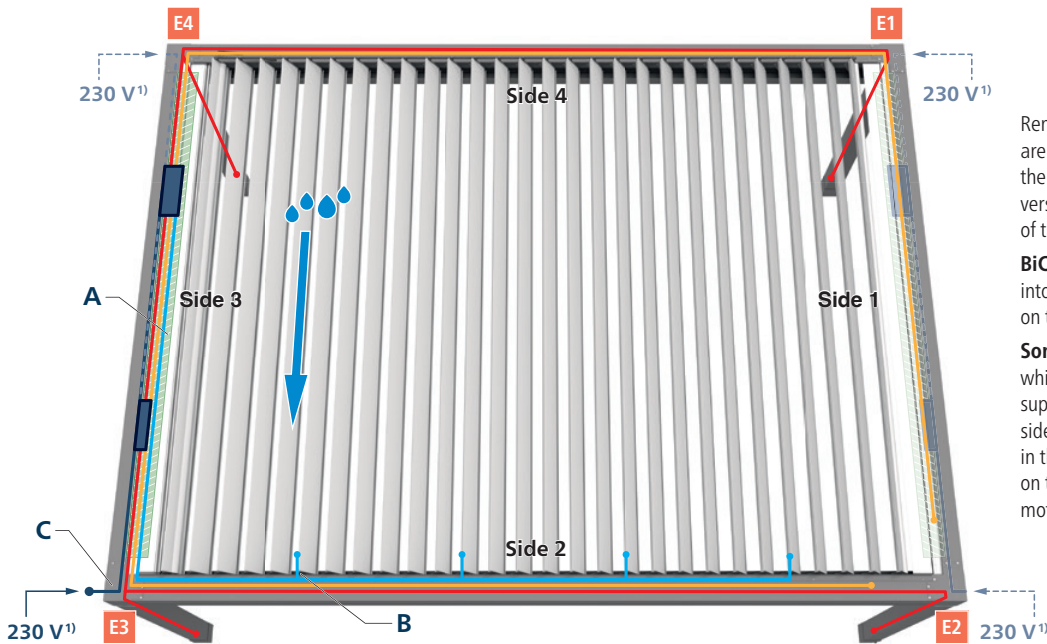
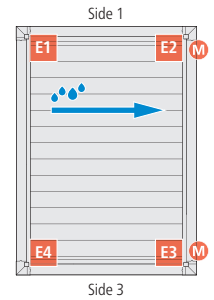
C Motor louvre with integrated tubular motor, fully wired and ready to plug in

LED cabling concept – louvre, post and frame

LED connection

The cabling for the integrated colour LED lighting is integrated in the components weather-protected and concealed and ideally prepared on-site. This guarantees fast and secure installation. The control unit and cable connection details are shown here.

E-component carrier	Connection points	Version
Side 1	Post E1 or E2	LED-remote receiver and transformers in the E-component carrier on the inside of the frame side 1
Side 3	Post E3 or E4	LED-remote receiver and transformers in the E-component carrier on the inside of the frame side 3

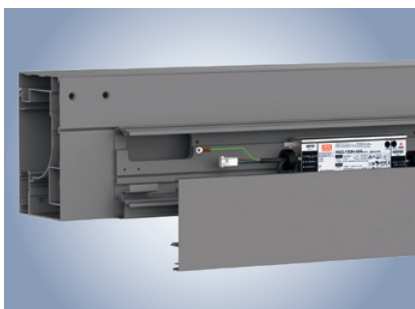


Remote receivers and transformers are positioned easily accessible in the E-component support profile. Two versions exist, dependent on the side of the main terminal.

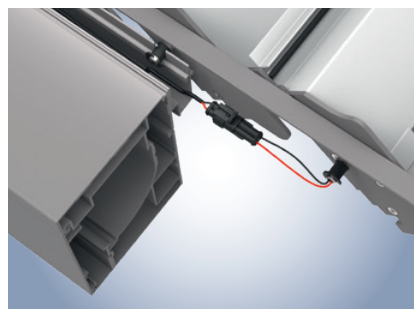
BiConnect: all lighting controls fit into the E-component support profile on the louvre motor side

Somfy io: lighting control of the white LED slats in the E-component support profile on the louvre motor side, the RGBW light control is always in the E-component support profile on the opposite side of the louvre motor

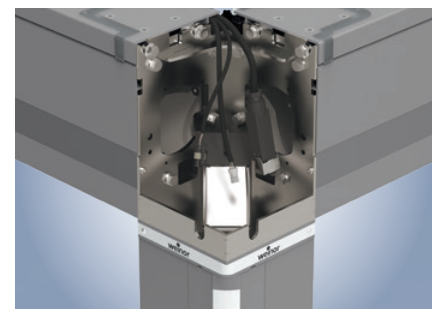
¹⁾ The main terminal connection can be selected freely in all corners. Here based on example E3. Connection cable with a minimum length of 3 metres included. Accordingly, the E-components are located in the respective long side of the louvred roof.



A The electronics is safely housed in the electronics component profile



B Ready to plug in cabling for the LED louvres



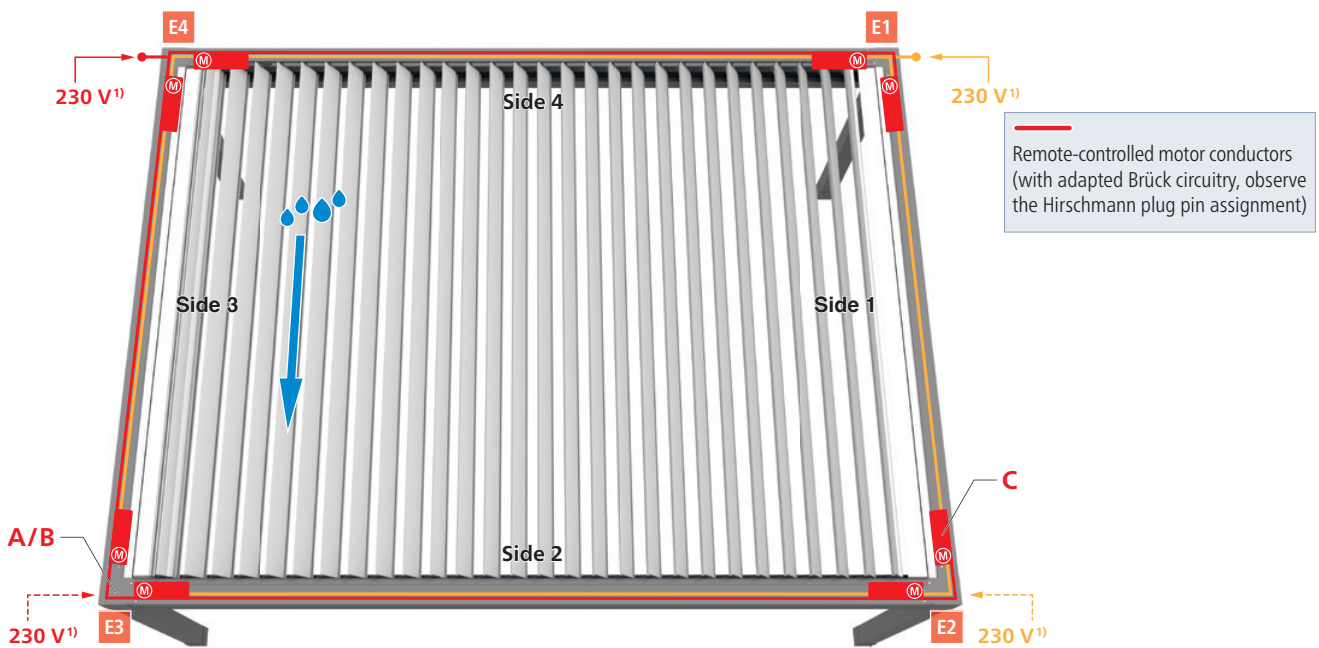
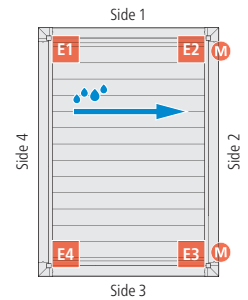
C Connection of the RGB and LED cabling in the corner joint (taking BiConnect as an example)

Integrated vertical sun protection cabling concept

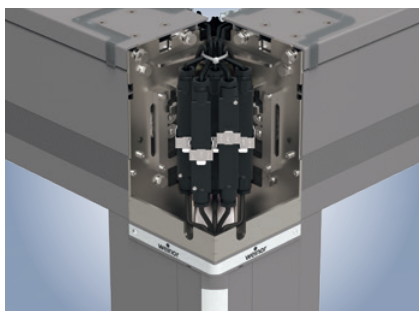
Power connection for integrated vertical sun protection in the fascia

The leads are laid in the Artares frame profiles and only need be connected during installation. Multi-pin Hirschmann plugs ensure simple distribution at the corner joints. The remote vertical sun protection receivers are integrated in the motors.

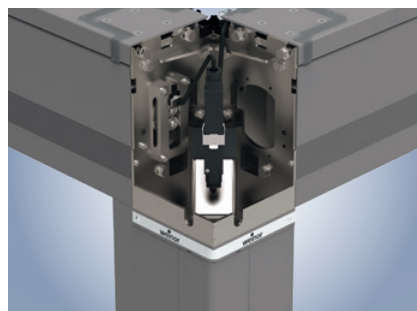
Vertical sun protection	Connection points	Version
Side 1	For the main terminal connection E1 or E4 = remote-controlled motor side E1 For the main terminal connection E2 or E3 = remote-controlled motor side E2	A closed circular pipeline consisting of 3 x 1.5 mm ² rubber cables with Hirschmann coupling, is integrated in the frame
Side 2	For the main terminal connection E1 or E2 = remote-controlled motor side E2 For the main terminal connection E3 or E4 = remote-controlled motor side E3	
Side 3	For the main terminal connection E1 or E4 = remote-controlled motor side E4 For the main terminal connection E2 or E3 = remote-controlled motor side E3	
Side 4	For the main terminal connection E1 or E2 = remote-controlled motor side E1 For the main terminal connection E3 or E4 = remote-controlled motor side E4	



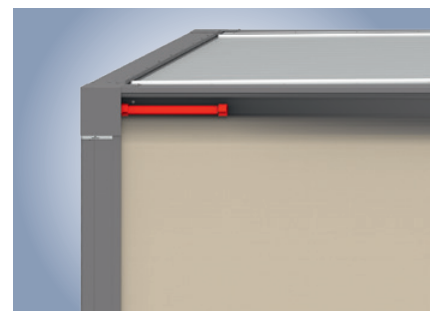
¹⁾ The main terminal connection can be selected freely in all corners. Here based on example E1 or E4. Connection cable with a minimum of 3 metres, all-included. Accordingly, the closed circular pipelines are distributed from here for connecting the vertical awning motors.



A Connection leads with multiple Hirschmann plugs in the corner joints integrated in the frame



B Connection of the vertical sun protection drive in the corner joints



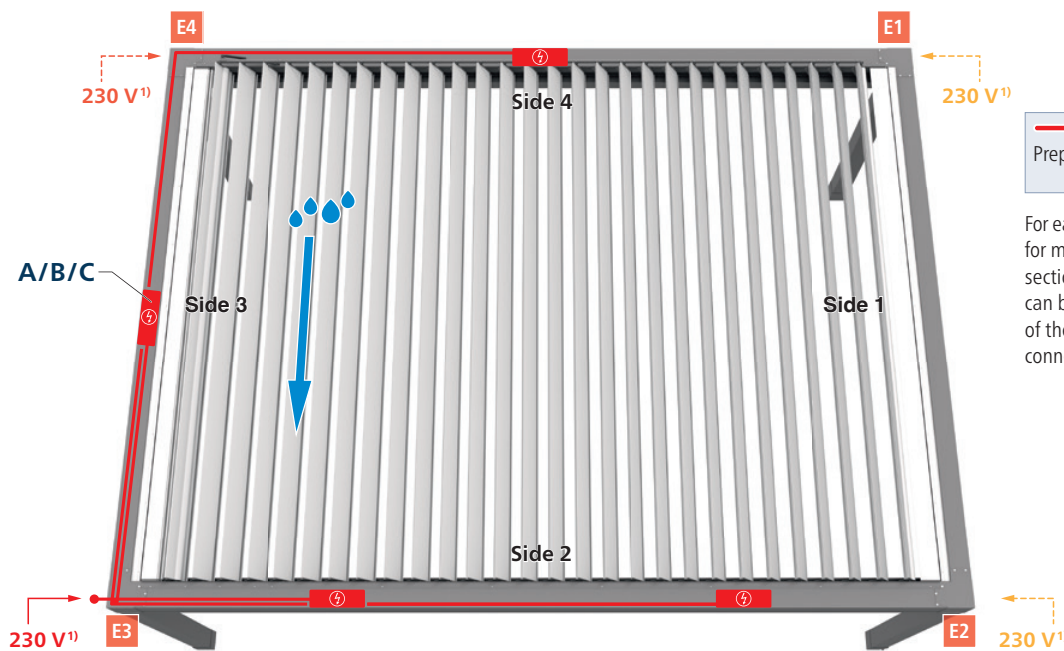
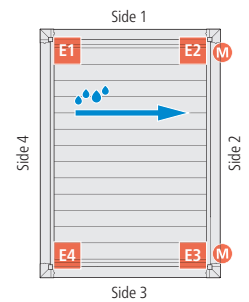
C Vertical sun protection, awnings, driven by remote-controlled motors

Cabling concept for preparation for mains connection (e.g. Tempura Quadra)

Mains connection preparation for optional electricity consumers

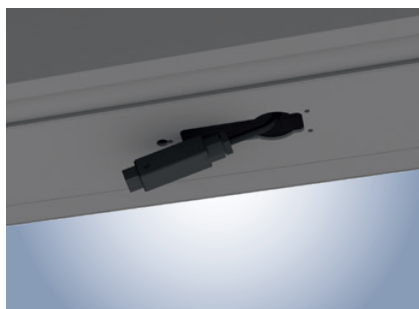
The power supply for optional electrical components (e.g. a Tempura Quadra with bracket 260) is made using one or two connection points per frame side (max. four per section). The connecting lead is simply routed through the frame profile when mounting the roof. For orders with this option, the hauling rope is in all frame sides, facilitating easy pulling in of the connecting lead at the factory.

E-component carrier	Connection points	Version
One connection per side	Central connection point - for Tempura connection provision with matching mount boreholes and downwards cable outlet - For the universal version only with a connector box (in the same colour as the construction) above the cable connection	Per connection one 3 x 1.5 mm ² rubber cable with Hirschmann coupling on the frame outlet and open ends on the outer connection side, can be installed in the frame
Two connections per side	Connection points split into three - for Tempura connection provision with matching mount boreholes and downwards cable outlet - For the universal version only with a connector box (in the same colour as the construction) above the cable connection	

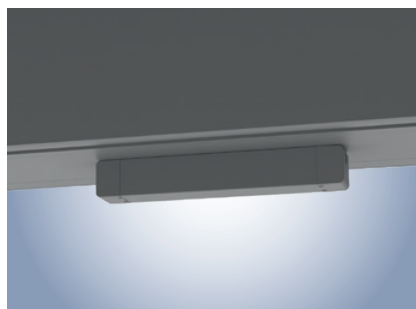


For each mains connection preparation for mains connection (max. 4 per roof section) there is a conductor, which can be pulled to the desired corner of the roof when installed (outer connection with open ends).

¹⁾ The main terminal connection can be selected freely in all corners. Here based on example E3. Connection cable with a minimum of 3 metres, all-included. The connection cables for preparation for mains connection can be laid in any desired corner, independent of the main terminal connection.



A Cable outlet on the lower side of the frame



B E-box to protect the open connection-preparation beneath the frame (only for Preparation for universal mains connection preparation)



C Tempura Quadra with bracket 260, connection and optional BiConnect or Somfy io remote receiver invisibly integrated in the housing.

Artares control



Based on BiRec RGB radio control with 48 V power supply pack integrated in the electronic component profile

Control optionally with BiConnect, Somfy io or on-site control components

The electronic component profile with the required electronics is located on the long sides of the louvre roof. It is installed using plug & play, the various frame profiles already contain plug-in cabling ready to plug in. The Artares control system (colour LED strips, slat motor, integrated vertical shading) is optionally possible with BiConnect, Somfy io or on-site control components. A normal adjustment cable is required for programming the radio controllers and regulating the motor end positions.

weinor offers a prepared solution for on-site control components. In the E-component profile space has been provided for the integration of these control components (e.g. KNX, Loxone, Zigbee). The components can be easily integrated on site and connected to the basic cabling included in the product. weinor does not supply any actuators here.

weinor BiConnect

Overview of Artares BiConnect controls and functions

BiConnect	
Receiver	Function
BiRec LA-K	Remote receiver for the louvred roof motor
BiRec on/off i	Remote receiver for LED louvre lighting (not dimmable)
BiRec HD-K	Remote receiver for Tempura heating system (dimmable)
BiRec RGB	Remote receiver for the coloured LED strips within the fascia (requires minimum BiEasy 15M Go! hand transmitter)
Elero SunTop 868 remote-controlled motor	BiConnect remote-controlled motor for vertical sun protection

Per roof panel:

- All coloured LED strips in the corner posts are controlled together (colour/brightness).
- All coloured LED strips in the fascia are controlled together (colour/brightness).
- All warm white LED strips in the louvres are controlled together (on/off).

Notes:

If the fascia, post and louvre lighting is operated simultaneously using one handset channel, this may lead to unsynchronised actions (power-on, colour adjustment, dimming) for technical reasons.

Conventional motors and not radio motors are installed in universal control components.



BiConnect



BiEasy 15M Go!
hand transmitter

BiEasy 5M
hand transmitter

Artares control



Electronic component profile

The E-components are located in the inner area of the profile, which is easily accessible via a faceplate.

Somfy io-homecontrol®

Overview of Artares Somfy io controls and functions

Somfy io-homecontrol®	
Receiver	Function
Pergola Slim Receiver io Plug	Specific remote receiver for the louvred roof motor
Lighting Receiver Variation io 12V/24V 4xWhite	Remote receiver for LED louvre lighting (dimmable)
Heating Receiver Variation io 1,5 kW	Remote receiver for Tempura heating system (dimmable)
Lighting Receiver Variation io 12V/24V RGBW	Remote receiver for the coloured LED strips within the fascia (dimmable) (requires minimum Situ 5 Variation hand transmitter)
Somfy Maestria io remote-controlled motor	Somfy remote-controlled motor for vertical sun protection

Per roof panel:

- All coloured LED strips in the corner posts are controlled together (colour/brightness).
- All coloured LED strips in the fascia long sides are controlled together (colour/brightness).
- All coloured LED strips in the fascia short sides are controlled together (colour/brightness).
- All warm white LED strips in the louvres can be controlled individually (brightness).



Note:

For systems operated by Somfy io-homecontrol there is no weather sensor supplied.

They are also not retrofittable!



Somfy Smart-Home TaHoma Switch & App

Situ 5 Variation A/M io Pure II hand transmitter

Tempura Quadra provision

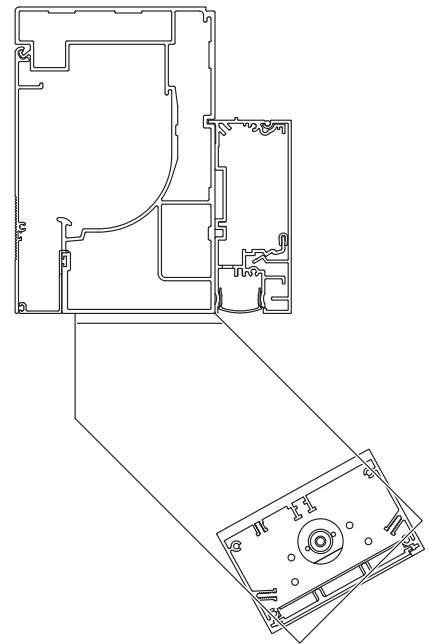
Artares combined with Tempura Quadra

The Tempura Quadra provides maximum comfort. Depending on requirements, up to four heating systems can be attached per individual section/system.. Refer to the examples for positioning. With the mains connection preparation for Tempura all cable and mount boreholes are prepared, including the connecting cable which is guided through the frame.

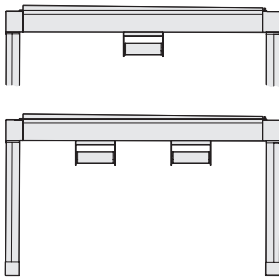


260 attachment

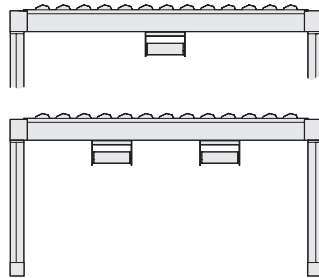
For the ideal installation height and clearance distance at the top



Long side positions



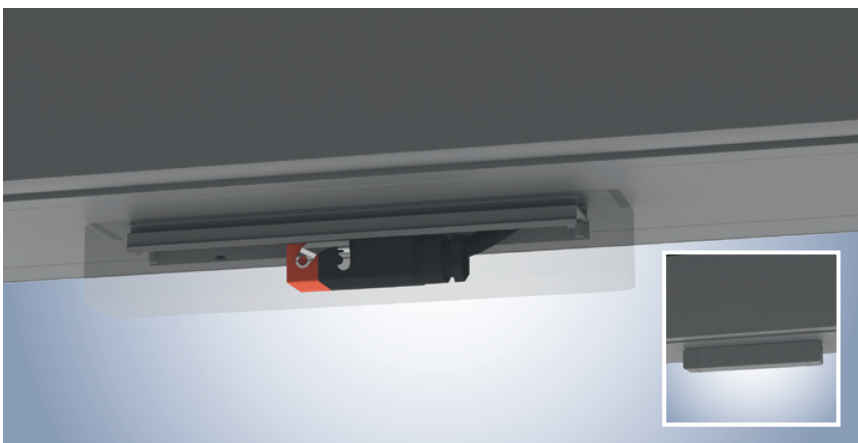
Short side positions



Universal preparation for mains connection

Preparation for mains connection for third-party products or retrofitting

With the universal preparation for mains connection, connecting cables are guided through the frame, the cable boreholes in the frame prepared and covered with an E-box in the same colour as the construction. Also ideal for later retrofitting of the weinor Tempura.



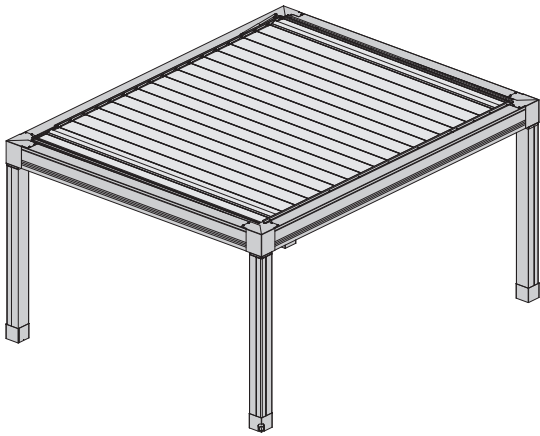
E-box

The box serves as a weather guard for the open connection preparations and is simultaneously visually adapted to the fascia design.

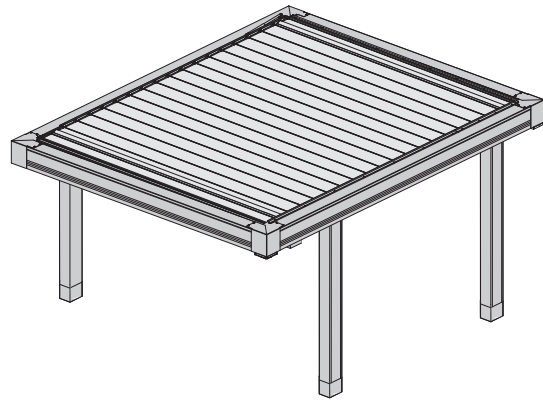
Artares planning

Variable post positioning

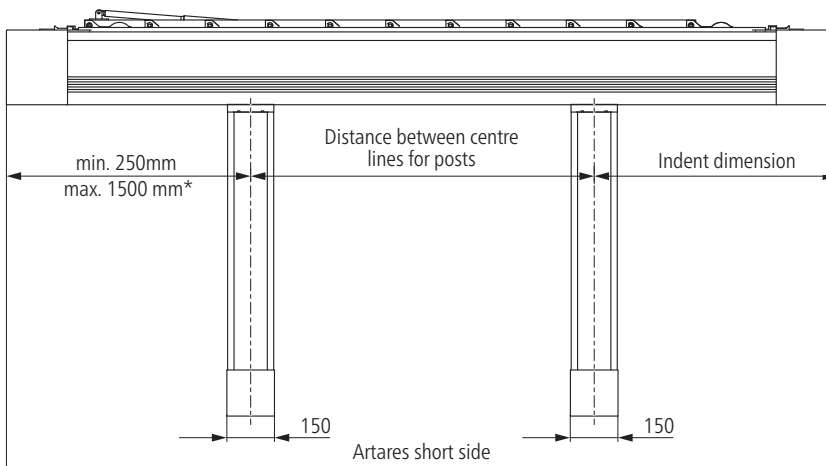
Free-standing Artares with outside posts



Free-standing Artares with indented posts



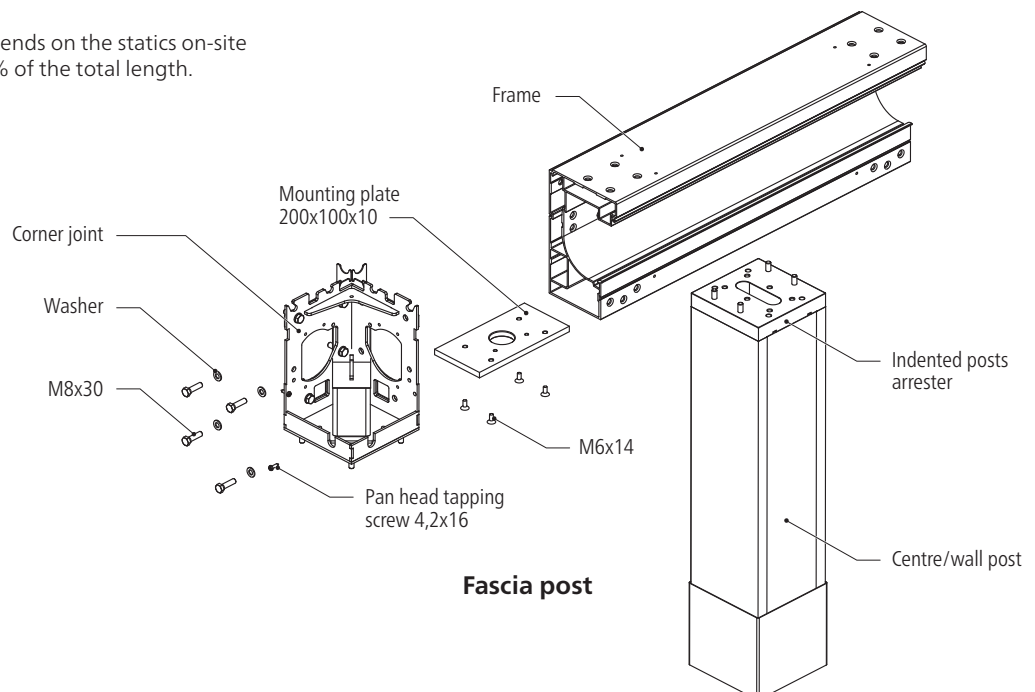
Maximal indent dimension of the posts



The indented post is always a middle post type and may only be indented on the short side.

Attention: When indenting one or all four posts, the attachment of glazing elements is not possible! Also, no water can be drained off via the indented posts. A separate downpipe must be installed for this purpose.

*The max. indentation depends on the statics on-site and must not exceed 30 % of the total length.

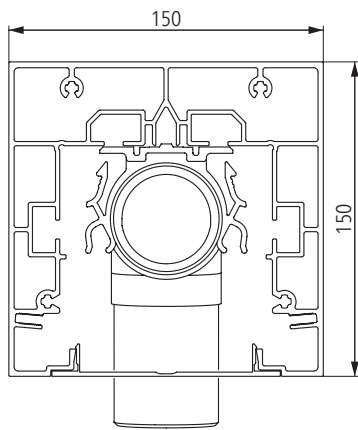


Drainage and posts

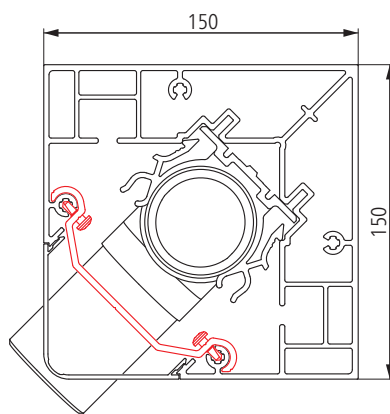
Invisibly integrated plastic pipe

Rainwater is discretely and systematically drained away through the integrated water drain. Here, the plastic pipe 53 is invisibly integrated in one of the posts. The drain can also be specifically fed through a post plate, if used. The post base must meet the static requirements. For precise specifications, please refer to the weinor E-Shop.

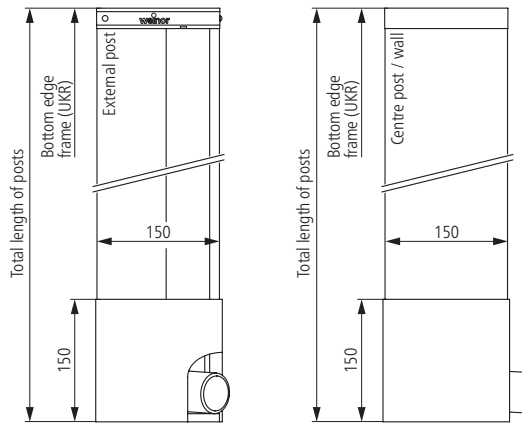
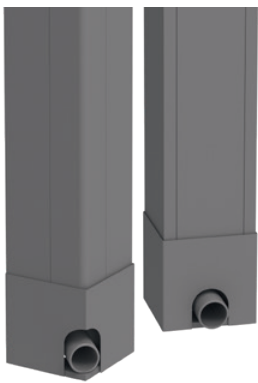
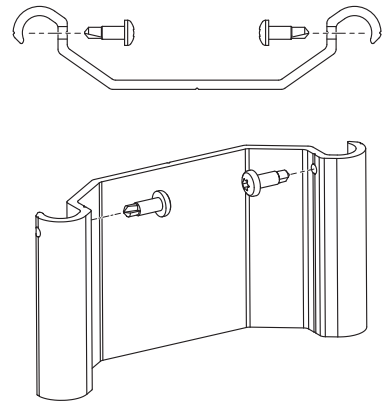
150 centre/wall post



Outside 150 post



Spacer

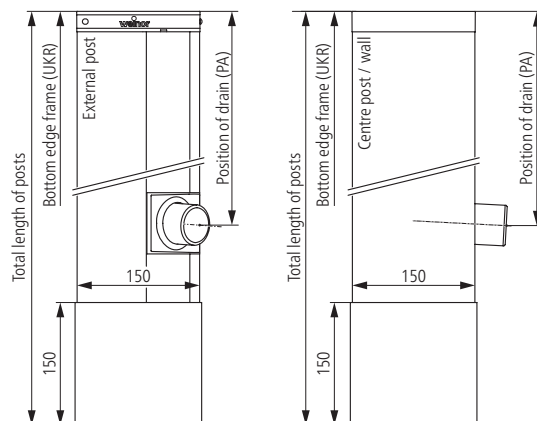


Position of drain (PA) cannot be selected

Post – version 1

External post and centre / wall

- with drainage in post corner or post centre at the very bottom
- is delivered complete with the desired length
- ideal for installation on finished flooring in the visible area
- Version with post base M (standard)

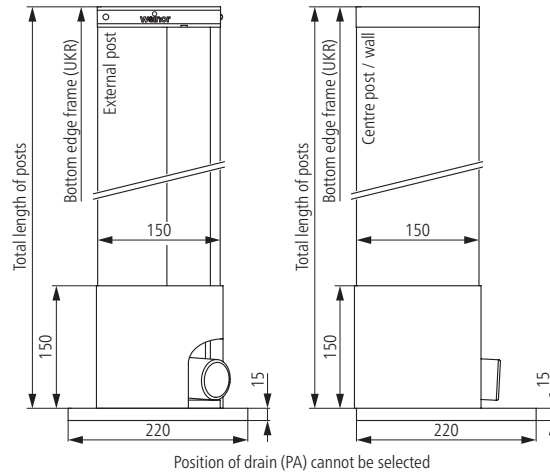
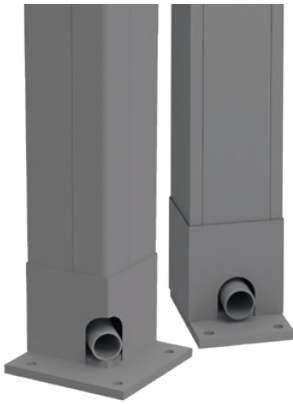


Post version 2

External post and centre / wall

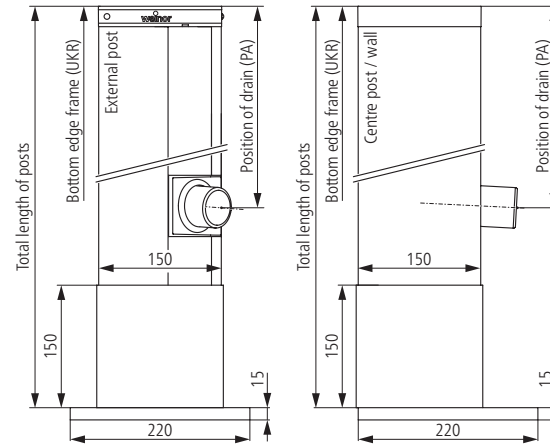
- with drainage in post corner
- Post profile with desired length or is sawn to length by the customer
- Drainage height (PA dimension) can be selected when installed
- Post centre/wall can be rotated 90° when installed
- Ideal for installation on a foundation beneath OKFF (min. 10 cm foundation depth necessary)
- Version with post base M (standard)

Drainage and posts



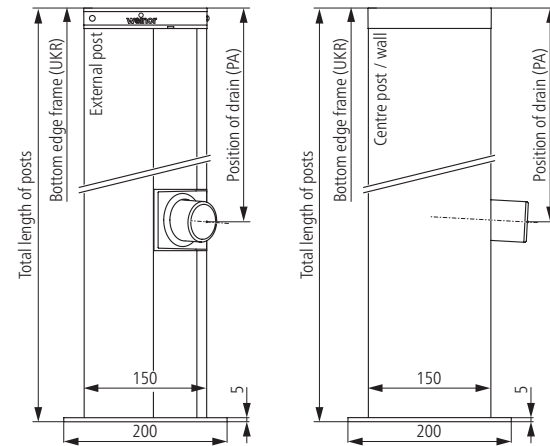
Post version 3
External post and centre / wall

- with drainage in post corner or post centre
- Version with post base M (standard), additionally with large post plate for easy installation



Post version 4
External post and centre / wall

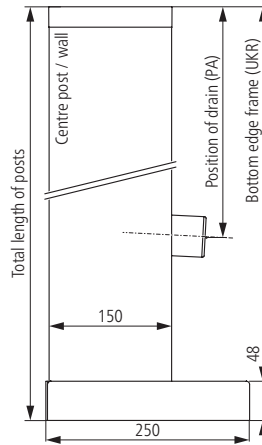
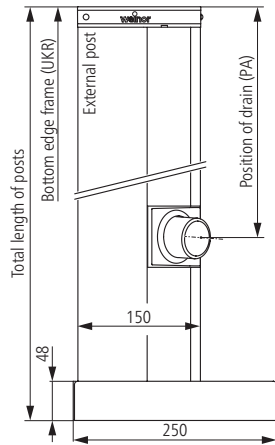
- with drainage in post corner or post centre
- Version with post base M (standard), additionally with large post plate for easy installation



Post version 5
External post and centre / wall

- with drainage in post corner or post centre
- Version with post plate (extraction protection) only suitable for setting in concrete

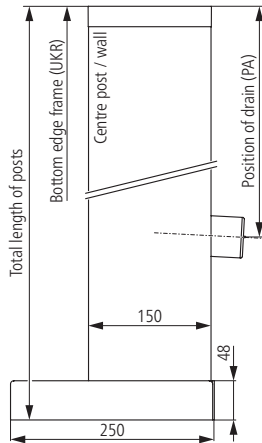
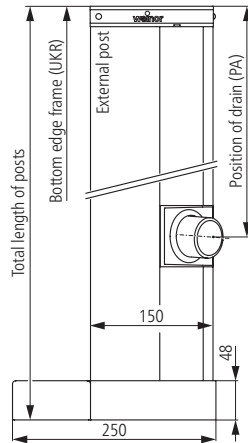
Drainage and posts



Post version 6

External post and centre / wall
with drainage in post corner or post centre

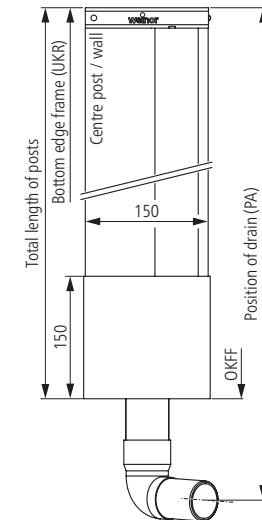
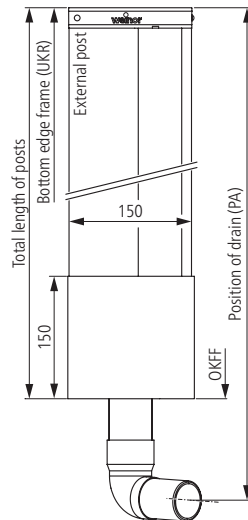
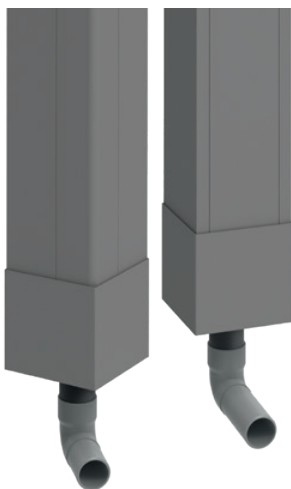
- for installation on finished floor possible with a cover cap or under OKFF without a cover cap
- Version with post base L t=15 or t=25



Post version 7

External post and centre / wall

- with drainage in post corner or post centre
- for installation on finished floor possible with a cover cap or under OKFF without a cover cap
- Version with post base L t=15 or t=25



Post version 8

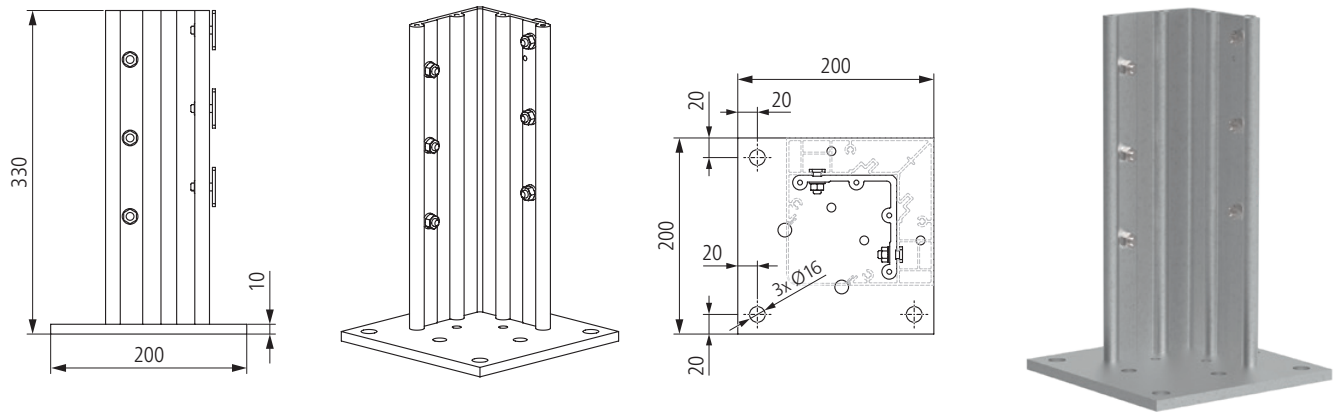
Variable water drainage

- with drainage in post corner or post centre
- for guttering under OKFF use the post base

Post attachment

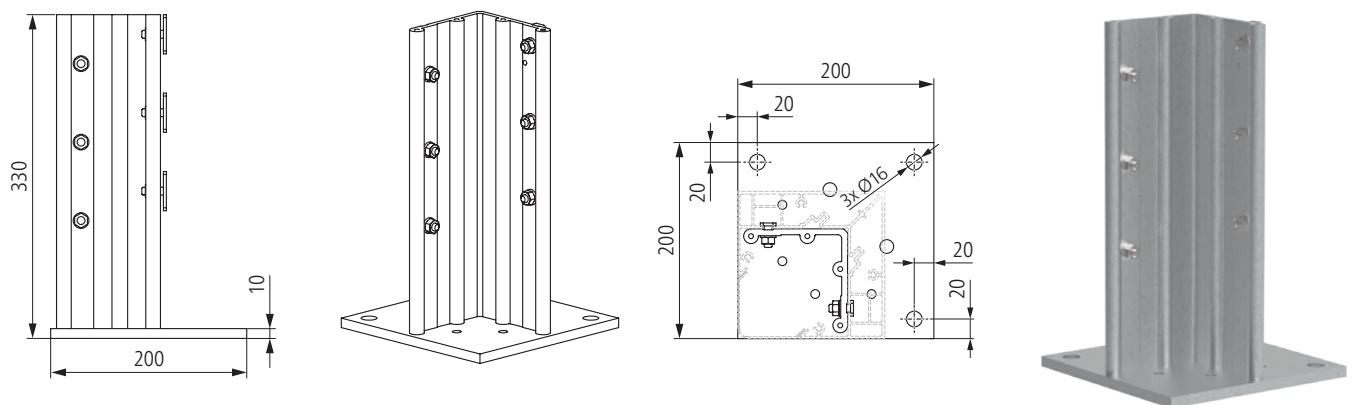
Post base S, external for external post 150

Version 1 – plate projecting outwards
Height-adjustable for installation + 40 mm



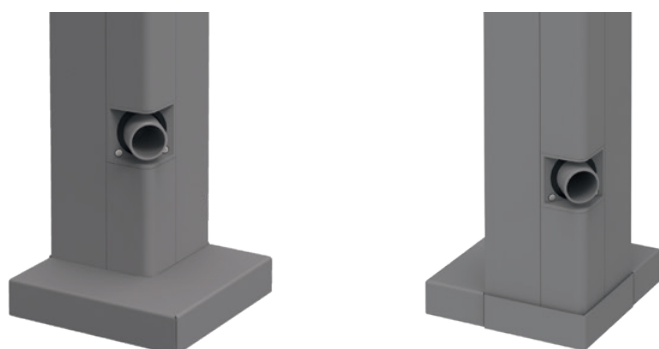
Post base S, internal for external post 150

Version 2 – plate projecting inwards
Height-adjustable for installation + 40 mm



Post cover cap

Ideal for installation on finished flooring in the visible area
(post base height-adjustable up to max. +15 mm)



Post base S, external with external post cover cap

Post base S, internal with external post cover cap

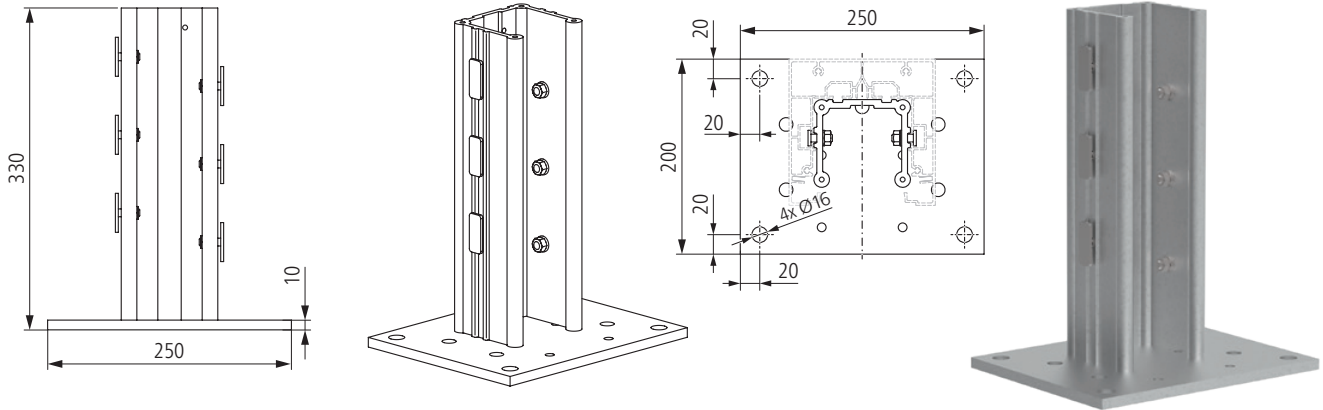
Note:

The various pre-drilled holes on the mounting plate allow it to be orientated both outwards or inwards.

Post attachment

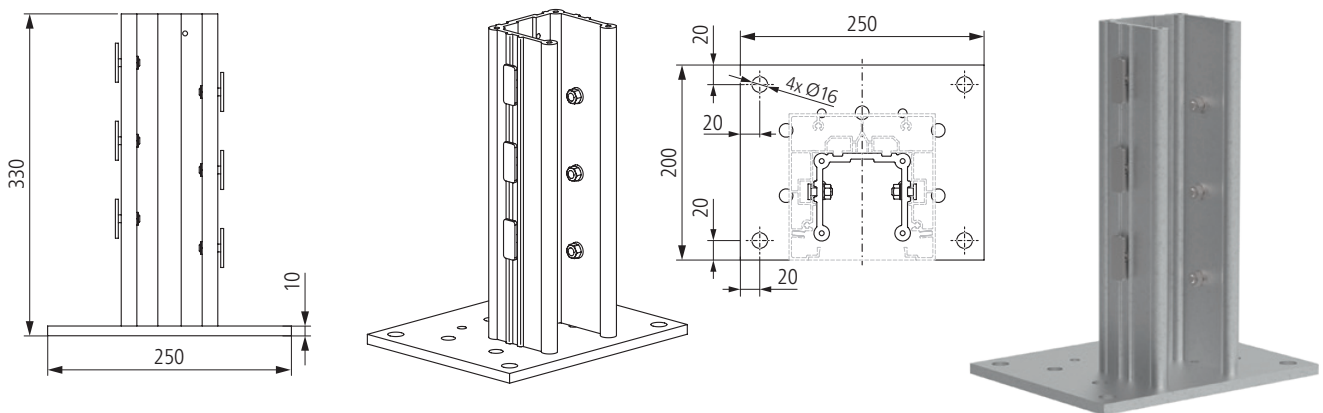
Post base S, external for centre/wall post 150

Version 1 – plate projecting outwards
 Height-adjustable for installation + 40 mm



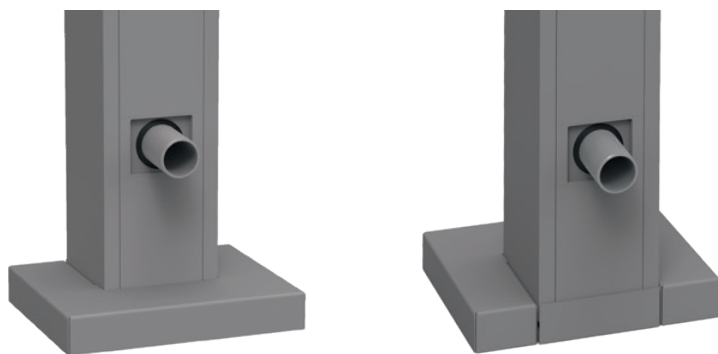
Post base S, internal for centre/wall post 150

Version 2 – plate projecting inwards
 Height-adjustable for installation + 40 mm



Post cover cap

Ideal for installation on finished flooring in the visible area
 (post base height-adjustable up to max. +15 mm)



Post base S, external with centre/wall post cover cap

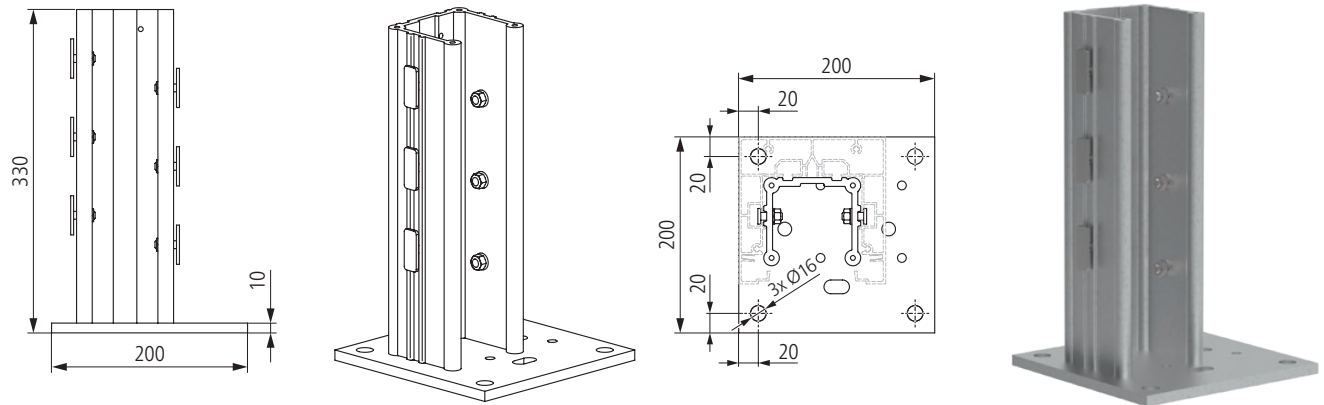
Post base S, internal with centre/wall post cover cap

Note:
 The various pre-drilled holes on the mounting plate allow it to be orientated both outwards or inwards.

Post attachment

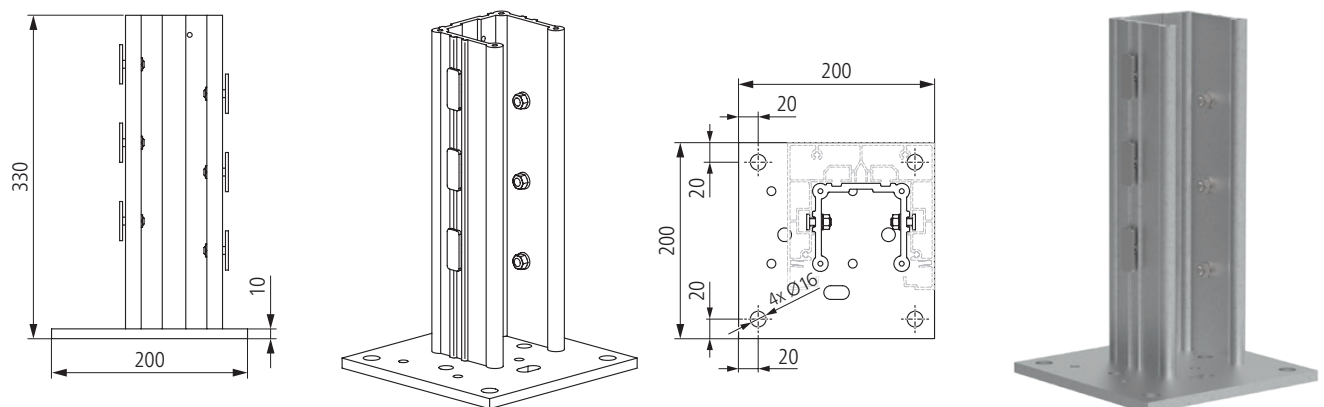
Post base S, side wall on the left for centre/wall post 150

Version 1 – plate projecting to the right
 Height-adjustable for installation + 40 mm



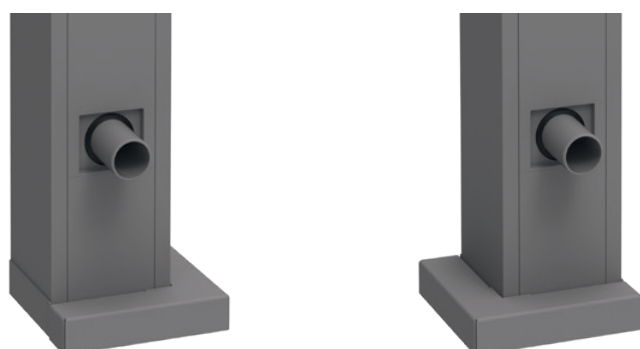
Post base S, side wall on the right for centre/wall post 150

Version 2 – plate projecting to the left
 Height-adjustable for installation + 40 mm



Post cover cap

Ideal for installation on finished flooring in the visible area
 (post base height-adjustable up to max. +15 mm)



Post base S, side wall on the left with external post cover cap

Post base S, side wall on the right with external post cover cap

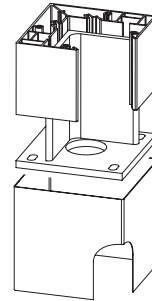
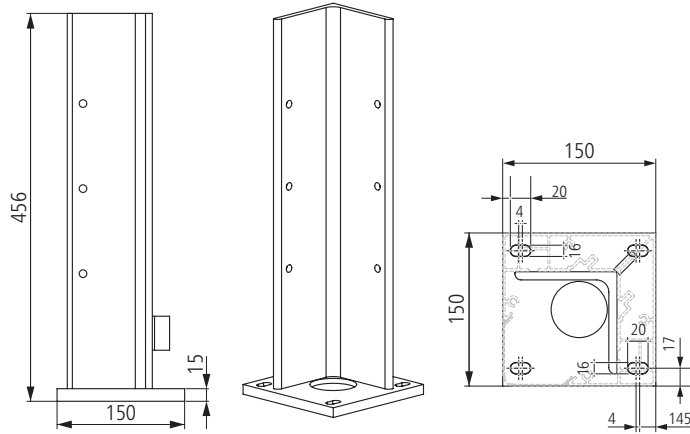
Note:

The various pre-drilled holes on the mounting plate allow them to be orientated to left or right.

Post attachment

Post base M (standard) for external post 150

Height-adjustable for installation + 40 mm

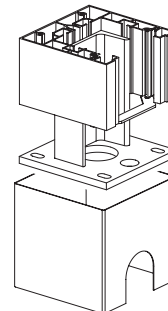
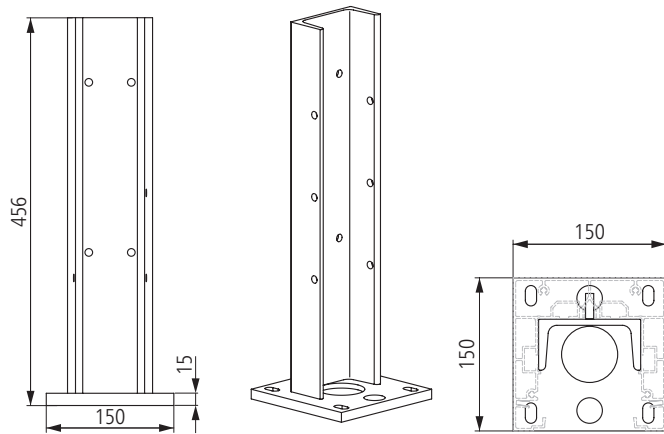


Ground cover (optional)
(necessary for installation in the visible area in order to hide the adjustable post base M)



Post base M (standard) for centre/wall post 150

Height-adjustable for installation + 40 mm

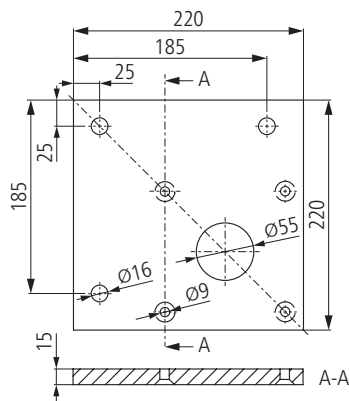


Ground cover (optional)
(necessary for installation in the visible area in order to hide the adjustable post base M)

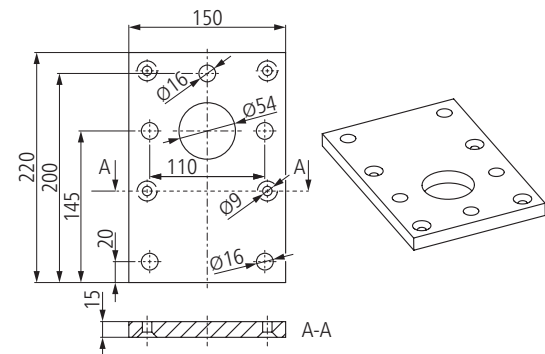


Post plate for fixing to the foundation (optional for post base M)

The post plates offer better accessibility to the mounting boreholes into the foundation. They can be freely rotated by 90° thus enabling versatile alignment.



Post plate for post 220x220x15

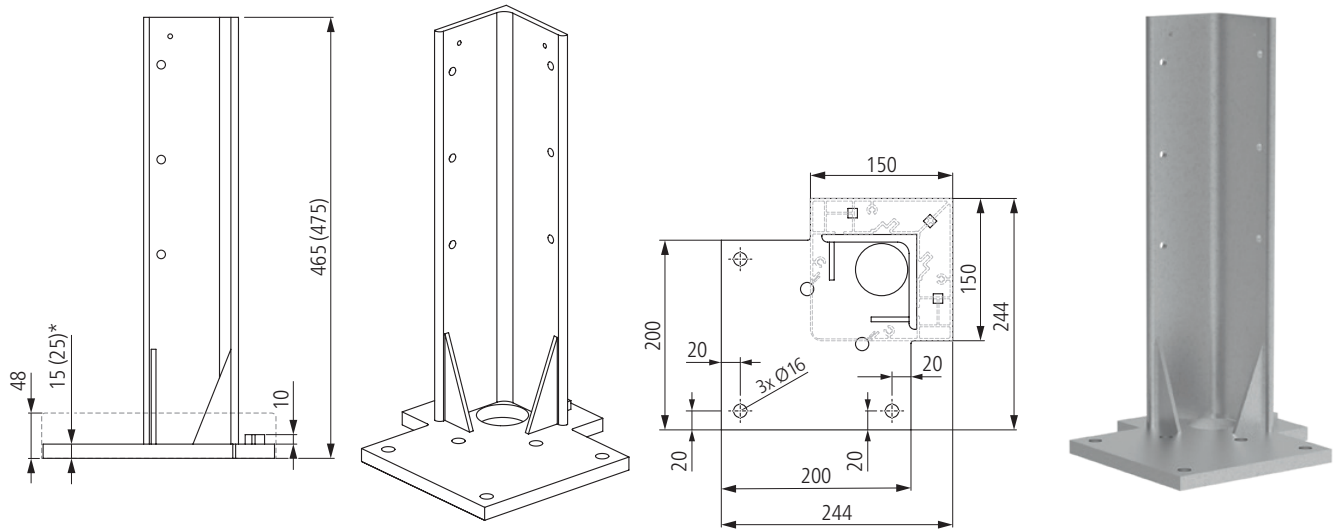


Post plate post 220x150x15

Post attachment

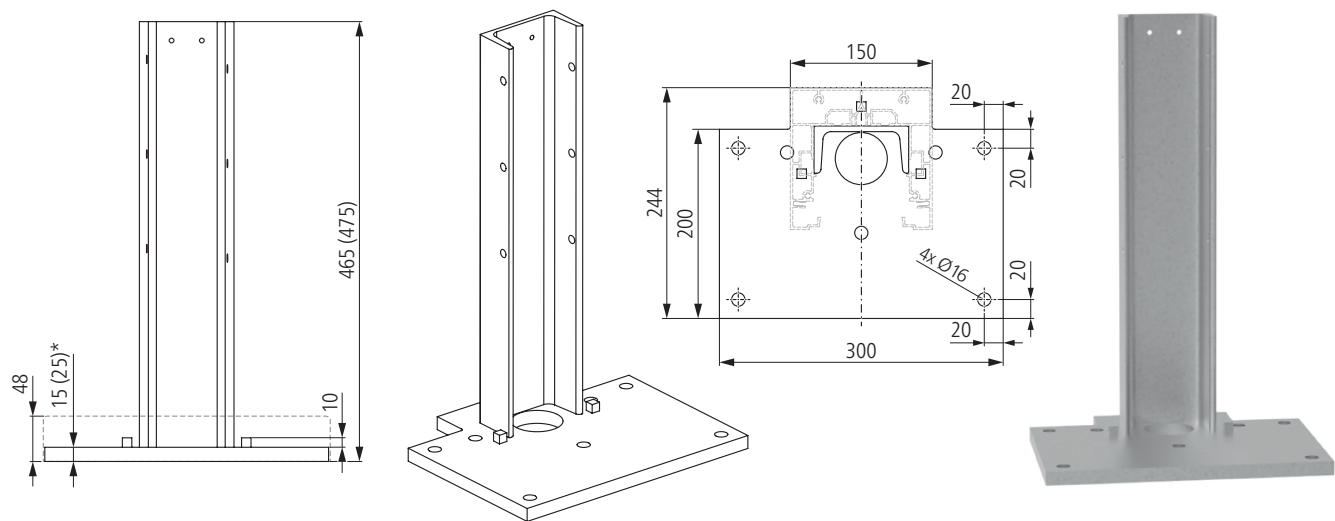
Post base L, external t=15 / t=25 for external post 150

Height-adjustable for installation +40 mm



Post base L, external t=15 / t=25 for centre/wall post 150

Height-adjustable for installation +40 mm



* Depending on the static requirements, the baseplate can be selected with a thickness of 15 or 25 mm.



Post base L, external t=15 / t=25 with external post cover cap



Post base L, external t=15 / t=25 with centre/wall post cover cap

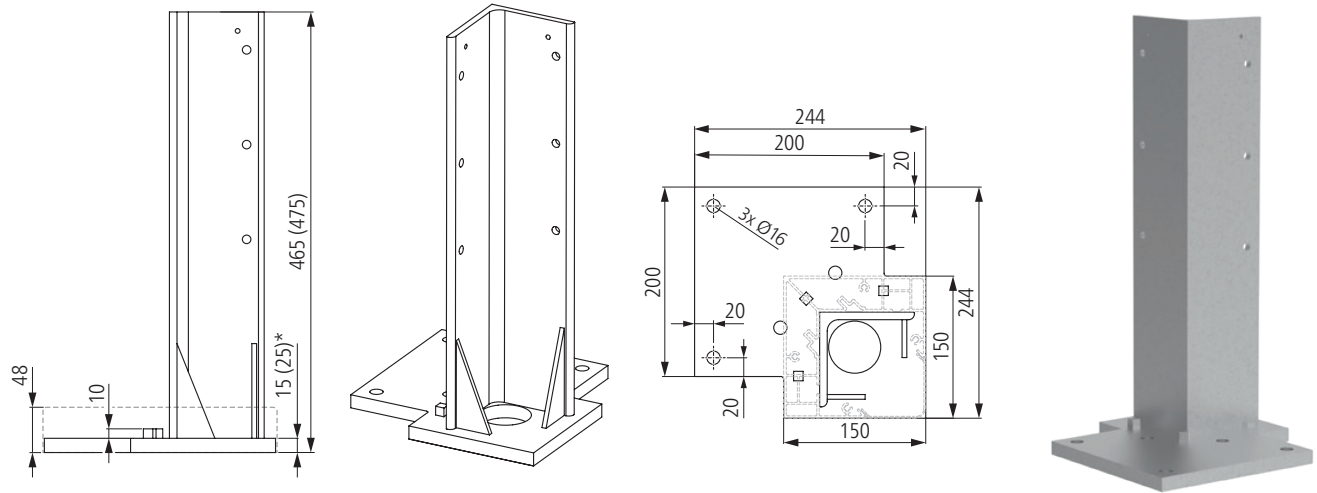
Post cover cap

Ideal for installation on finished flooring in the visible area
 (post base height-adjustable up to max. +15 mm for post base t=15 mm;
 post base height-adjustable up to max. +5 mm for post base t=25 mm)

Post attachment

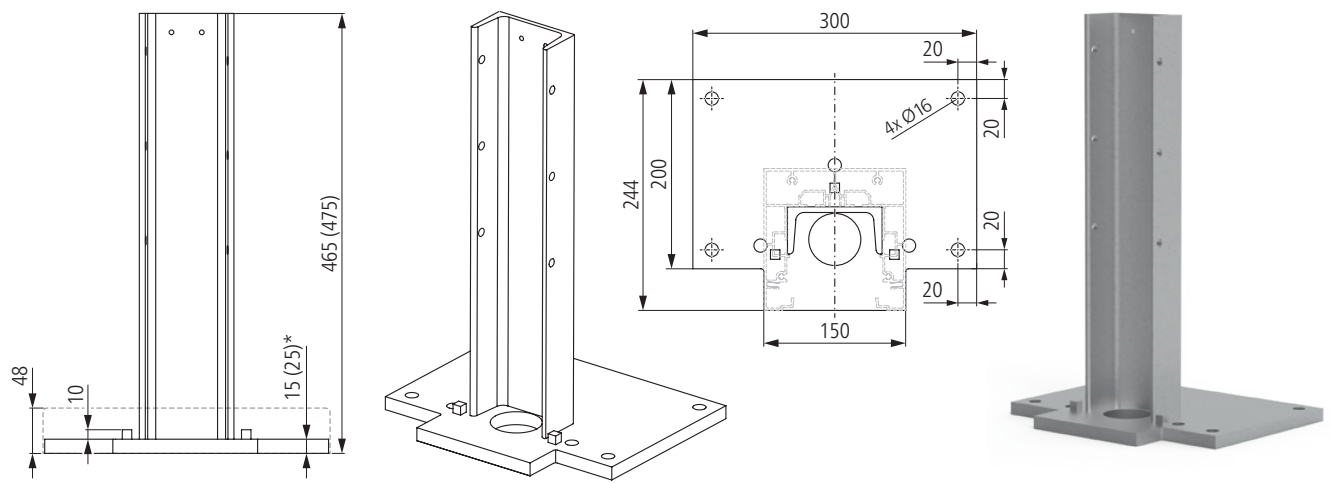
Post base L, internal t= 15 / t=25 for external post 150

Height-adjustable for installation + 40 mm



Post base L, internal t= 15 / t=25 for centre/wall post 150

Height-adjustable for installation + 40 mm



* Depending on the static requirements, the baseplate can be selected with a thickness of 15 or 25 mm.



Post base L, internal t= 15 / t=25 with external post cover cap



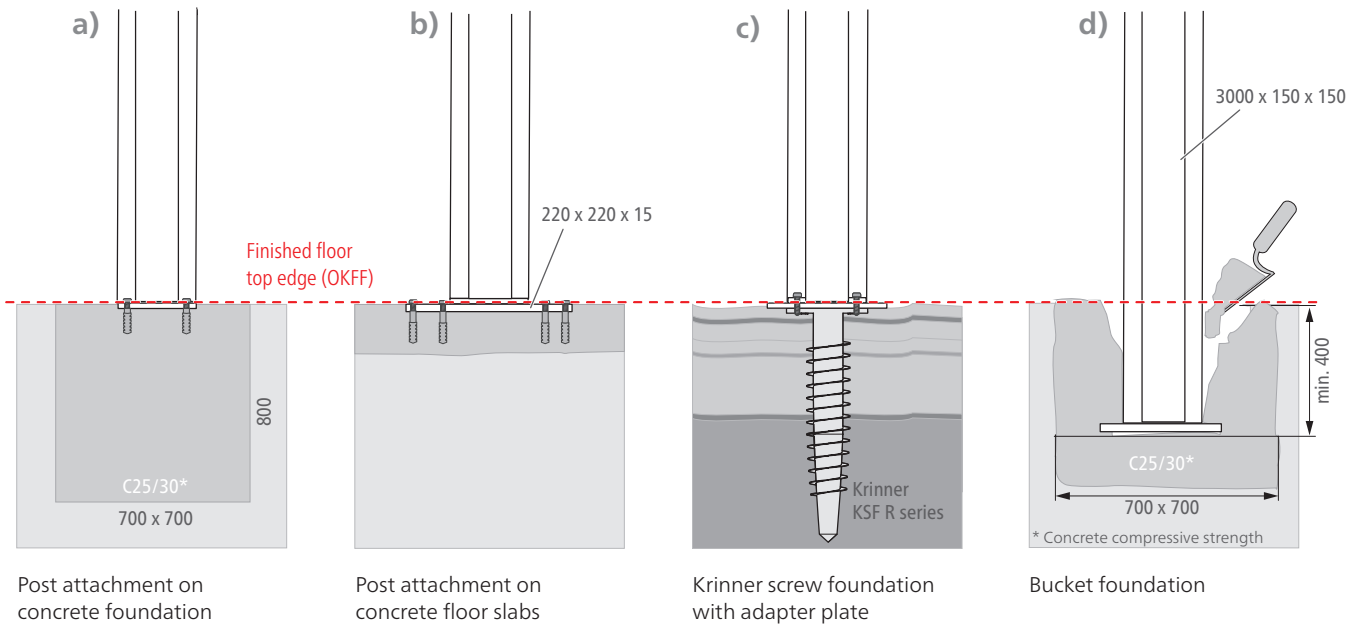
Post base L, internal t= 15 / t=25 with centre/wall post cover cap

Post cover cap

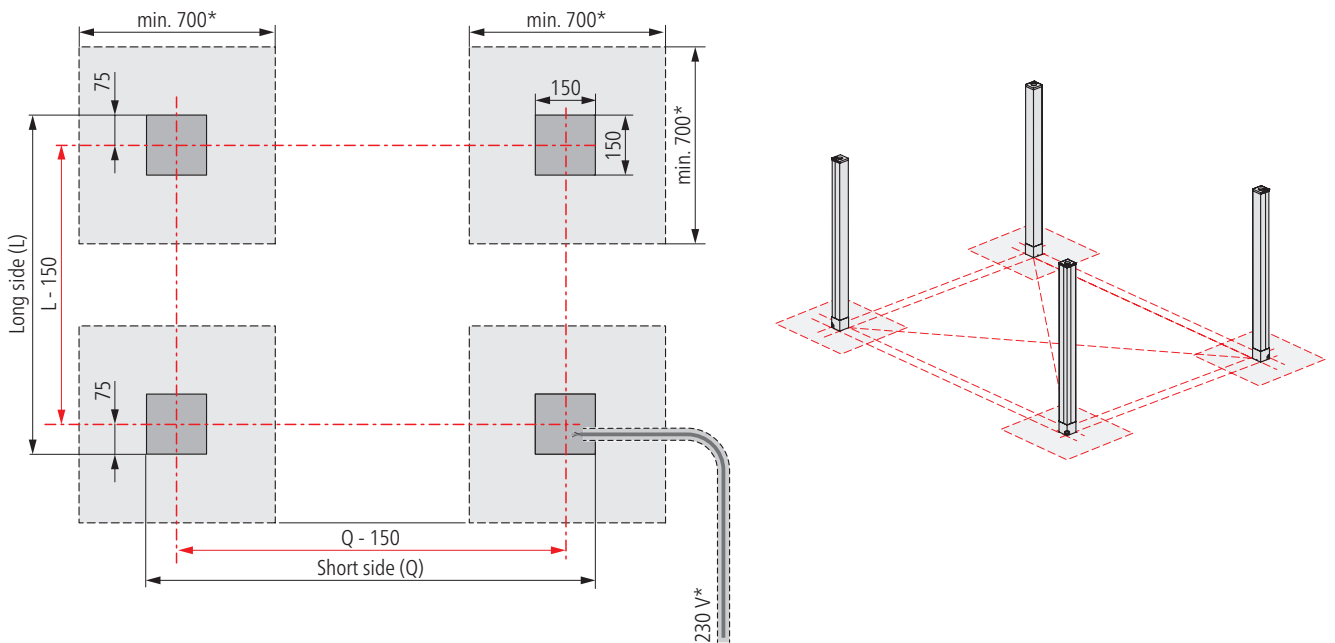
Ideal for installation on finished flooring in the visible area (post base height-adjustable up to max. +15 mm for post base t=15 mm; post base height-adjustable up to max. +5 mm for post base t= 25 mm)

Post attachment

Post installation (examples)



Foundation plan

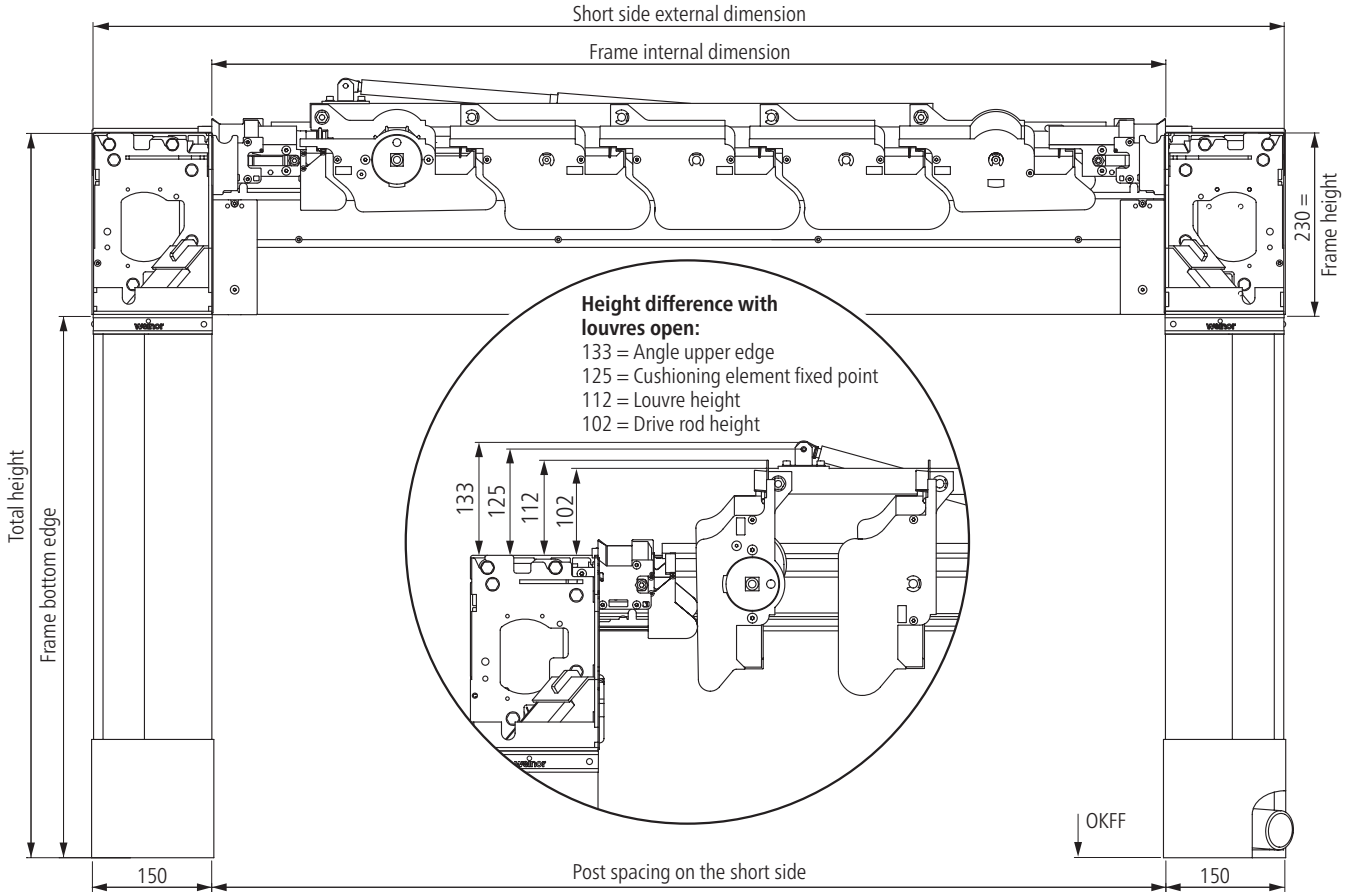


Notes:

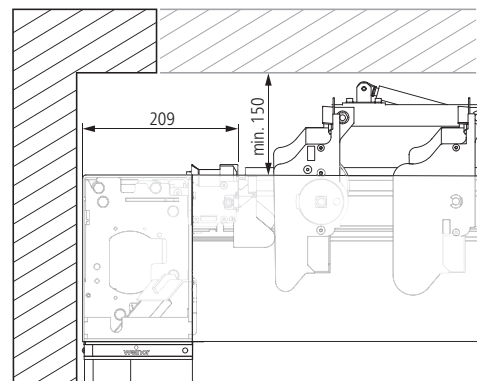
- The specified foundation sizes are guide values and may differ depending on the quality of the ground on-site.
- Current supply through the ground must be planned on-site (ductwork for cables in the foundation).

Cross-sections and dimensions

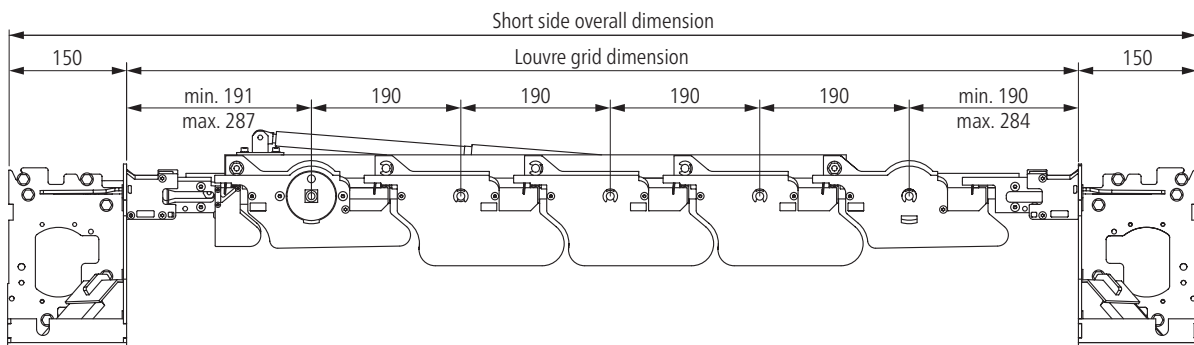
Adjustment measurements in transverse direction



Notes:
 In case of wall projections or ceilings (e.g. a balcony) above Artares (post or wall connection) is required for installation with tools and a spacing of 150 mm to the overall height for full opening of the louvres.

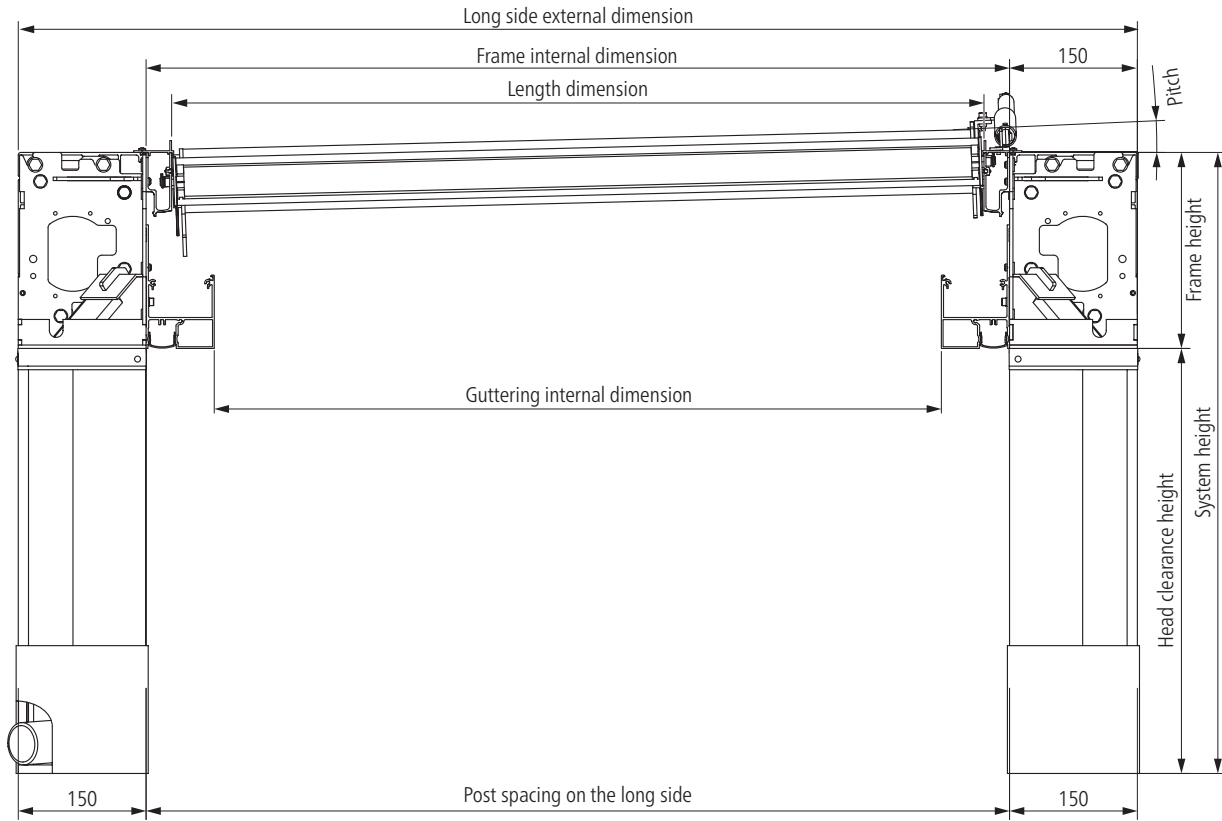


Adjustment measurements in transverse direction for the louvre grid

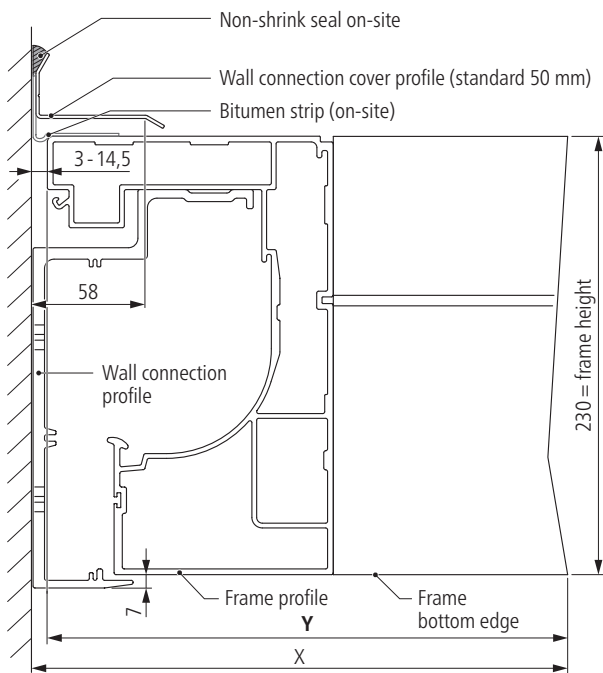


Cross-sections and dimensions

Adjustment measurements in longitudinal direction

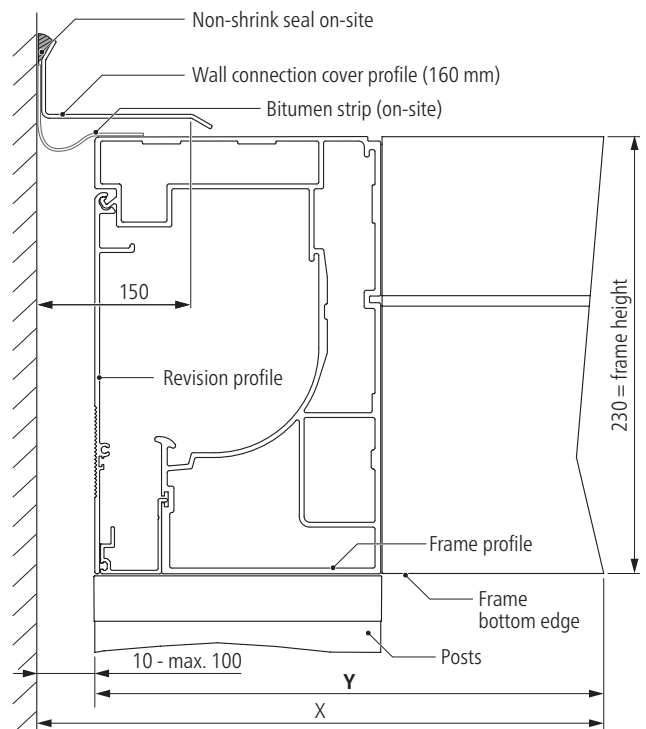


Wall connection



X = Overall system dimension including compensation at the wall connection profile (4-14mm)

Y = Actual Artares dimension (order size)

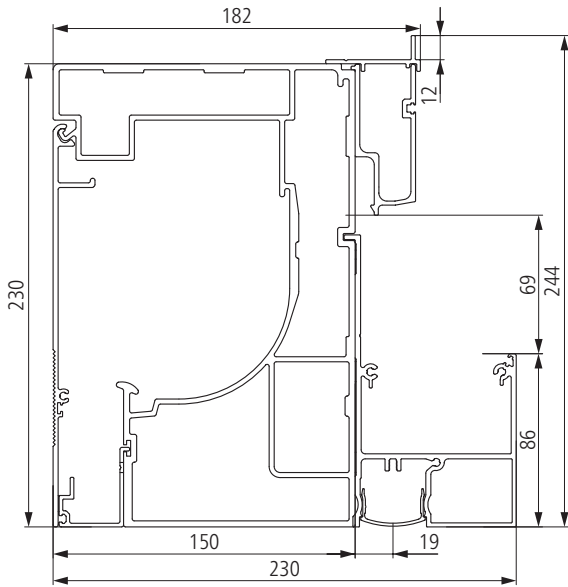


X = Overall system dimension including compensation at the wall connection profile (10 - 100 mm)

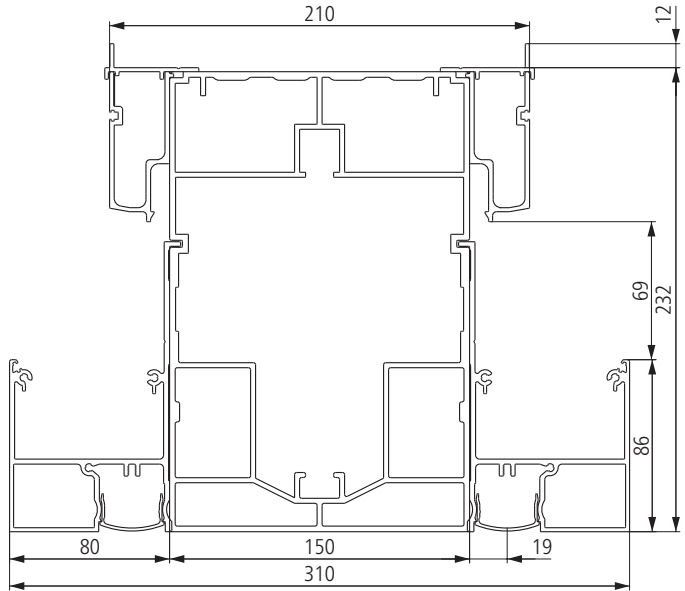
Y = Actual Artares dimension (order size)

Cross-sections and dimensions

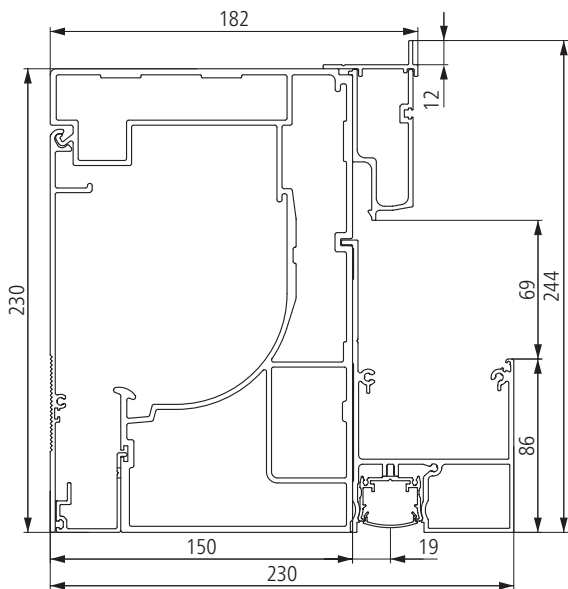
Frame profile short side with rain gutter (standard)



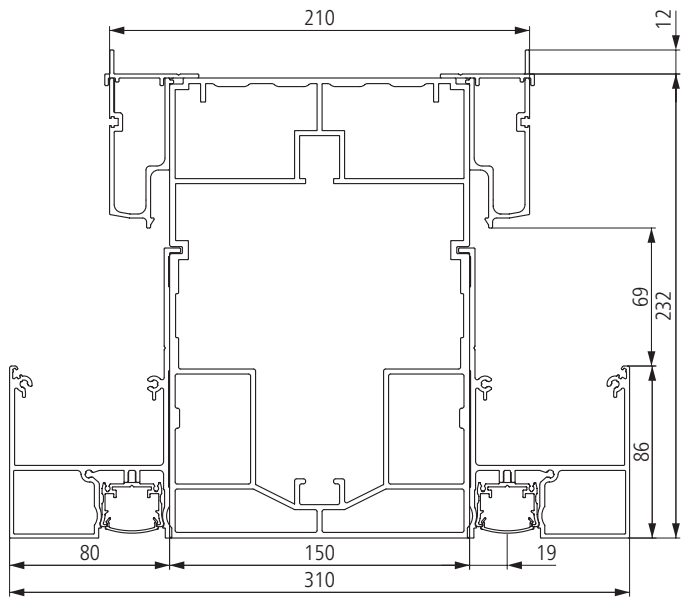
Coupling profile short side with rain gutters (standard)



Frame profile short side with rain gutter and RGB

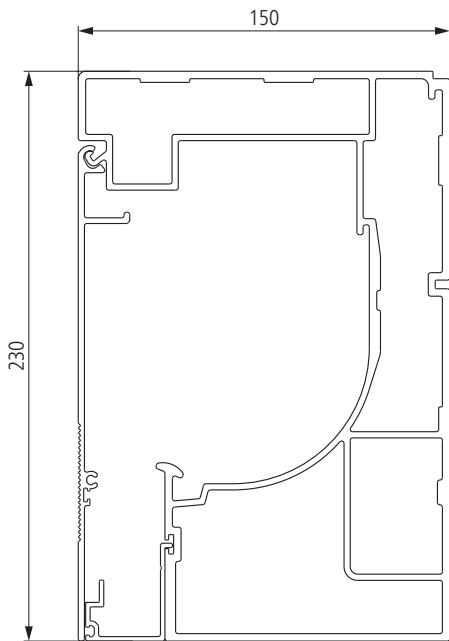


Coupling profile short side with rain gutters and RGB

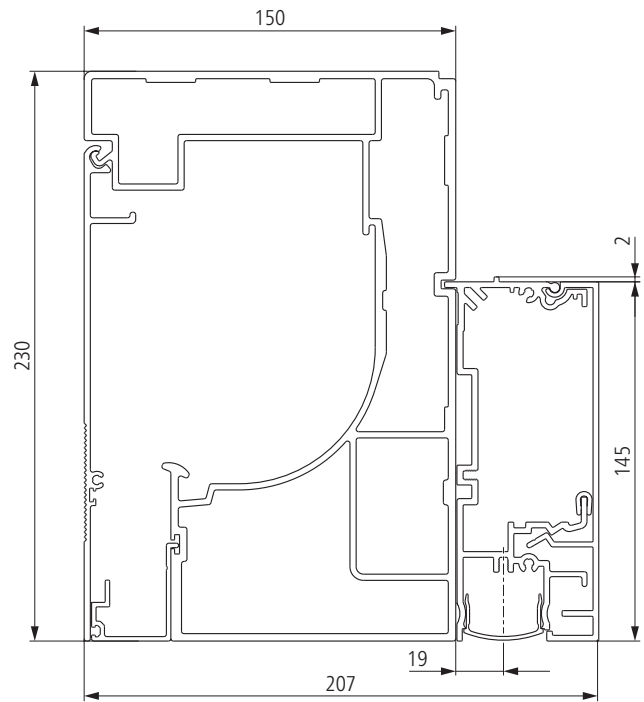


Cross-sections and dimensions

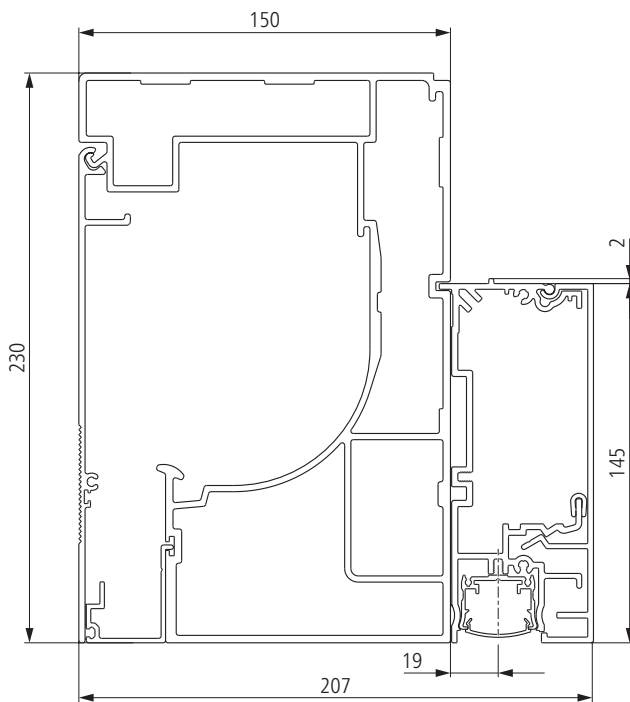
Frame profile long side
(standard)



Frame profile long side with electronic
components profile

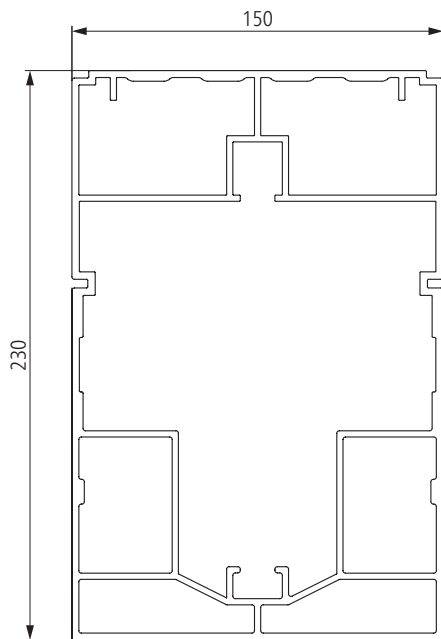


Frame profile long side with electronic
components profile and RGB

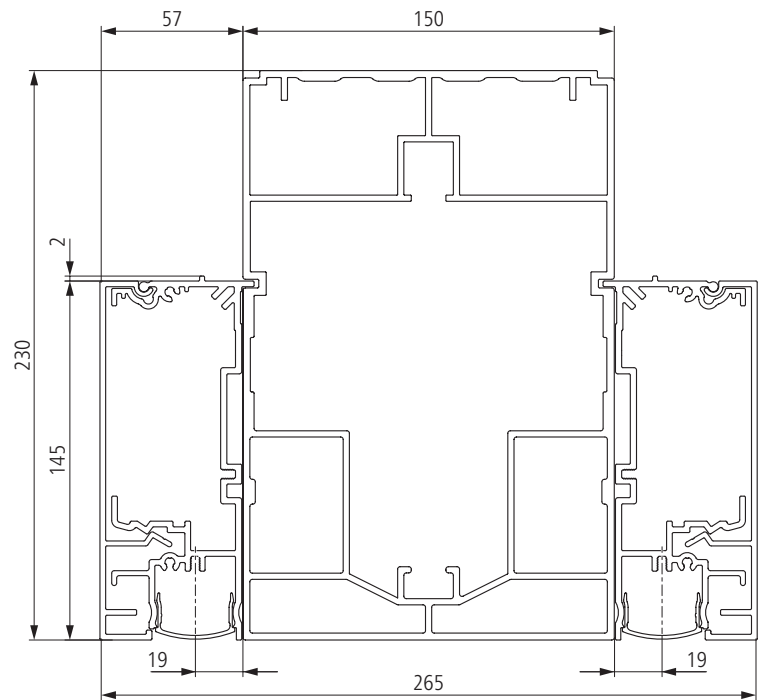


Cross-sections and dimensions

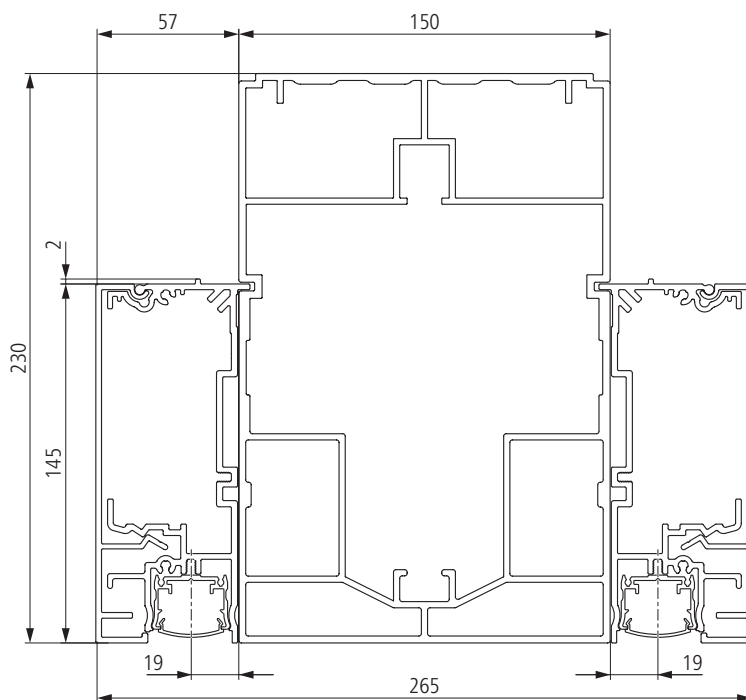
Coupling profile long side (standard)



Coupling profile long side with electronic components profile

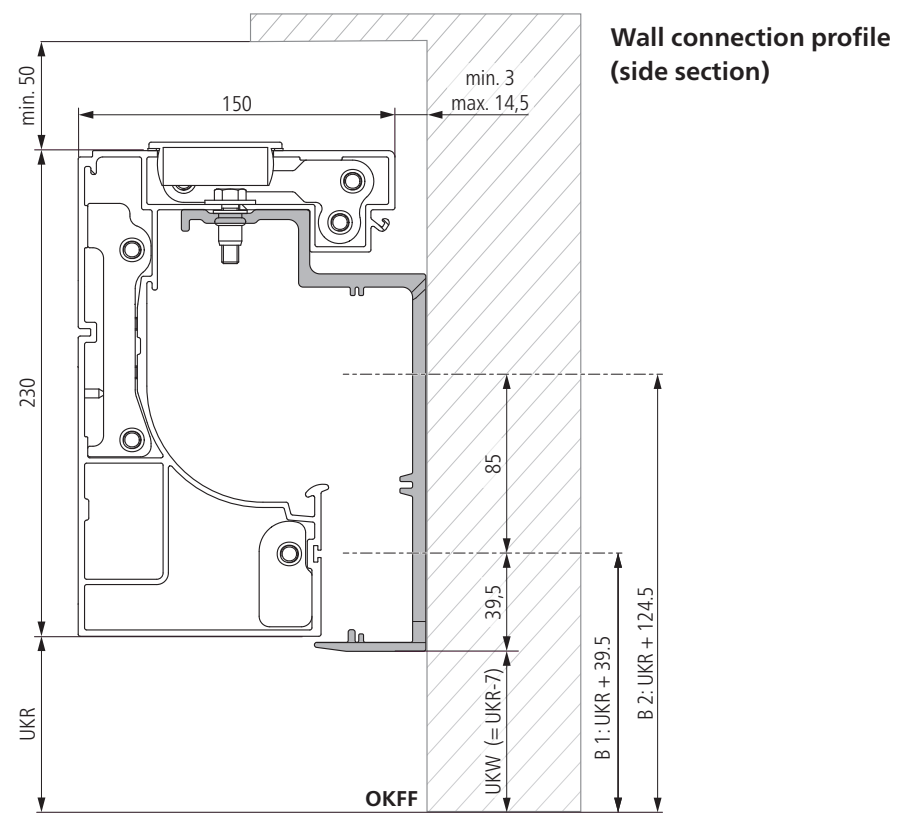
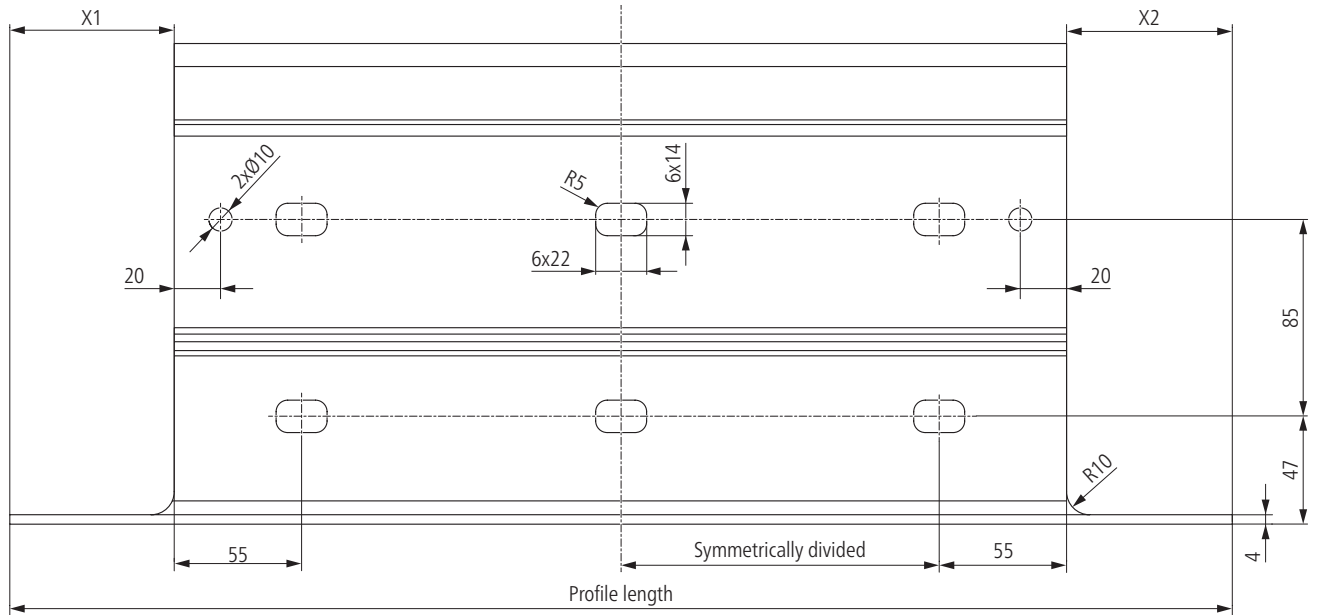


Coupling profile long side with electronic components profile and RGB



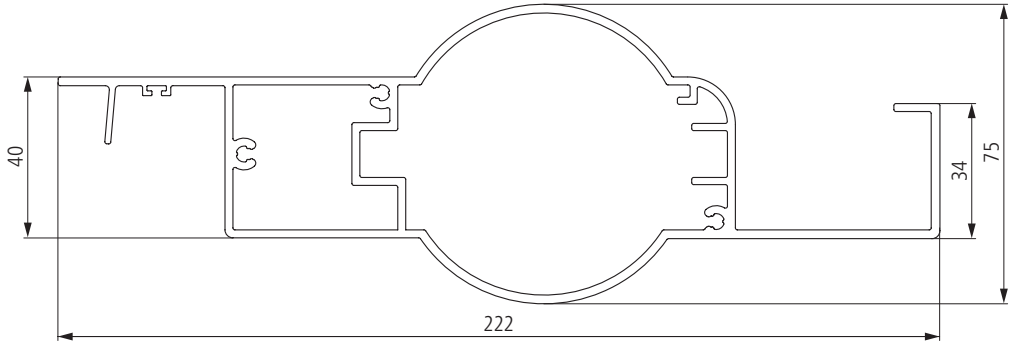
Cross-sections and dimensions

Wall connection profile

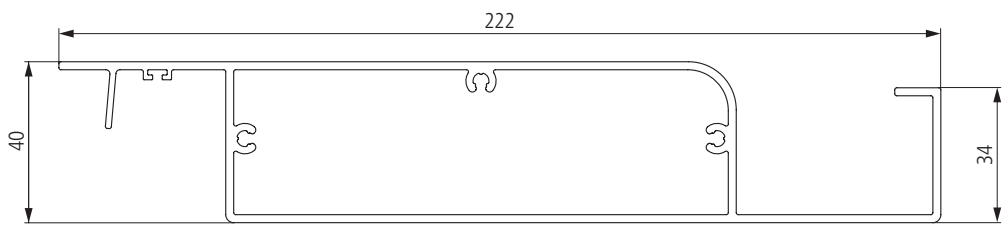


Cross-sections and dimensions

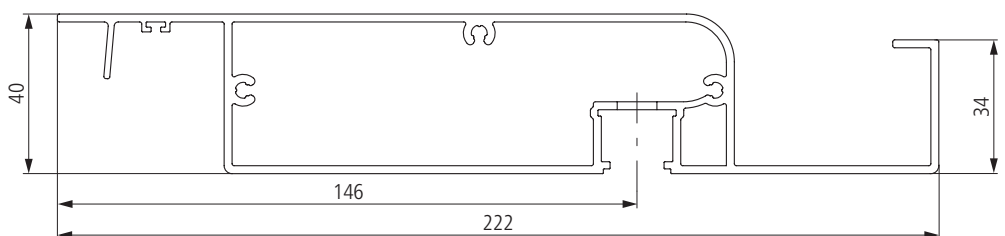
Louvre profiles



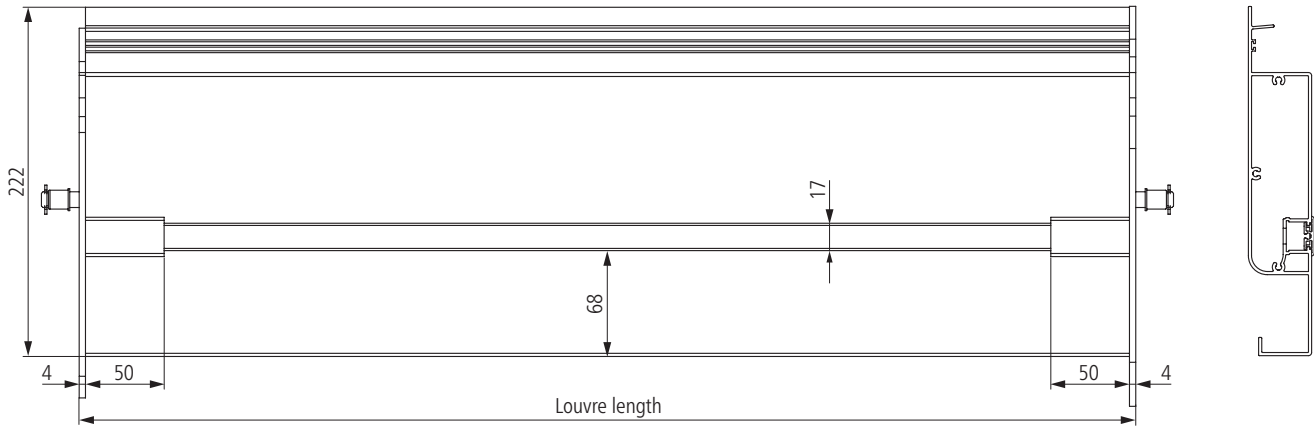
Static louvre



Standard louvre



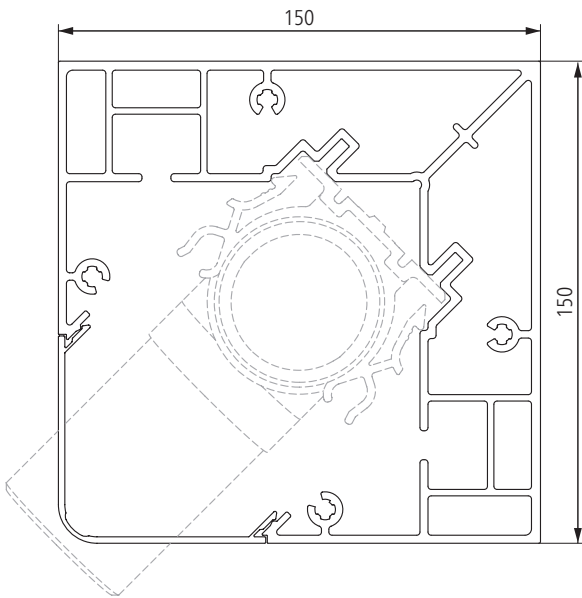
LED louvre



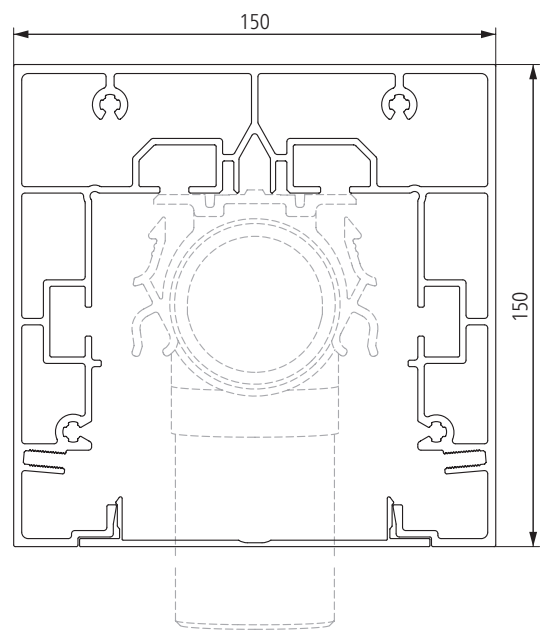
LED louvre (bottom view)

Cross-sections and dimensions

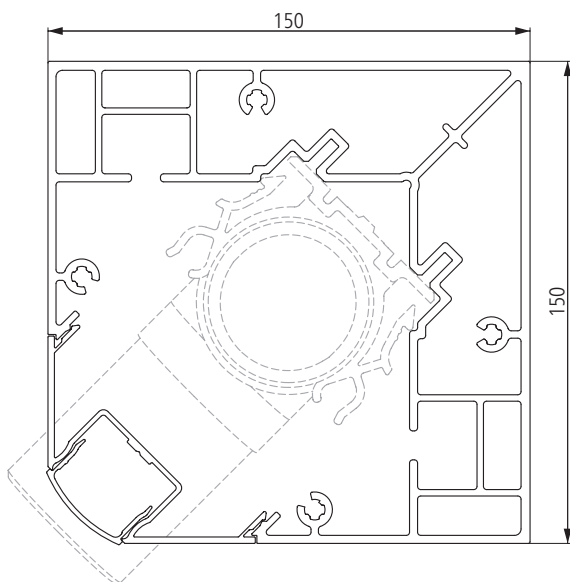
Post profiles



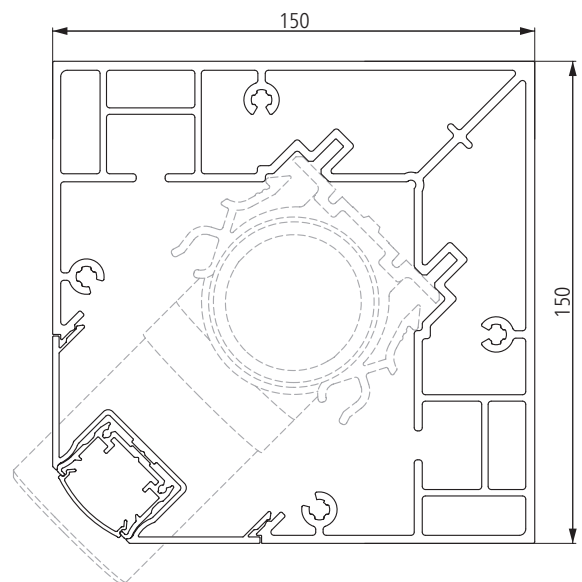
Corner post with clip profile (standard)



Centre post with clip profile (standard)



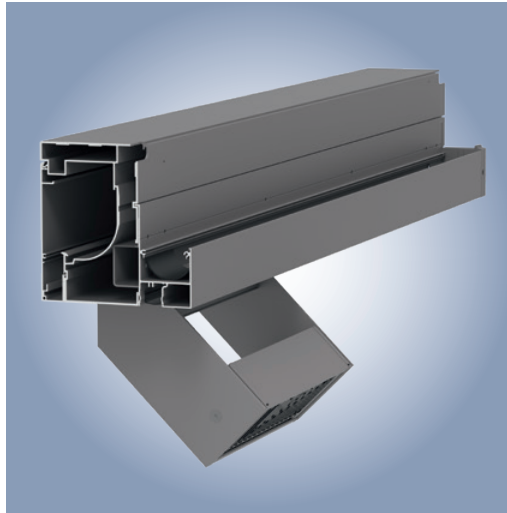
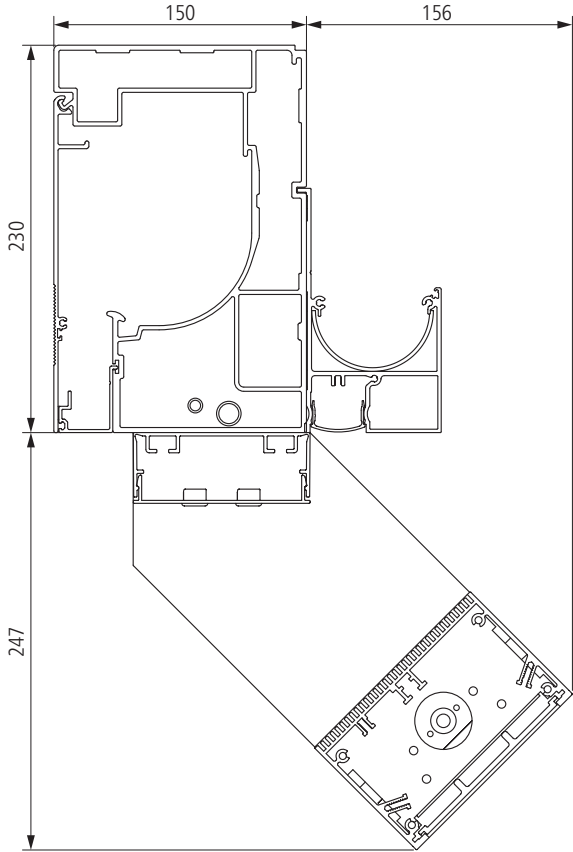
Corner post with decorative strip



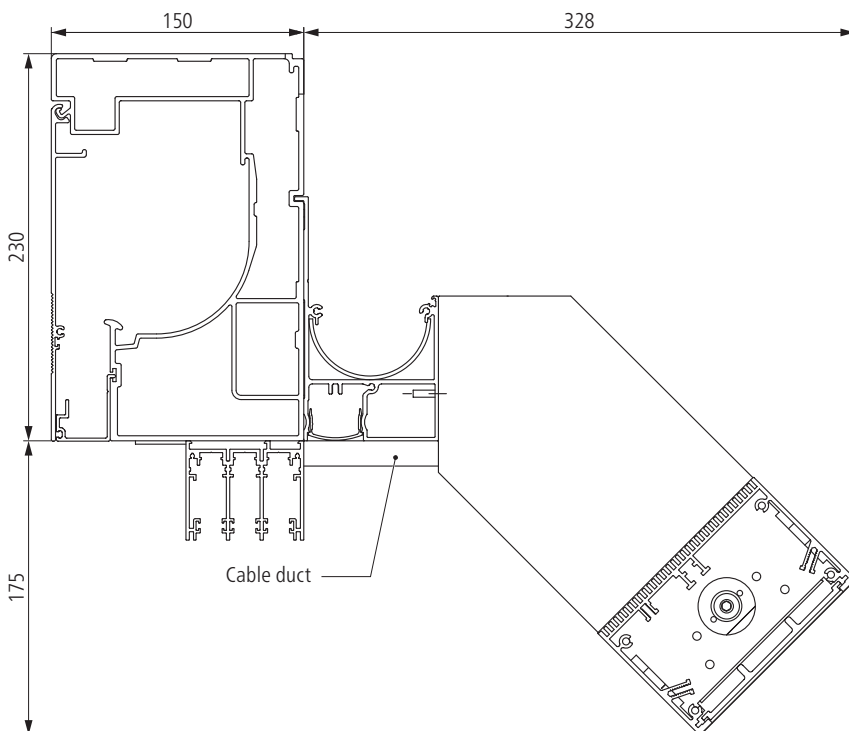
Total posts with coloured LED strip

Cross-sections and dimensions

Tempura Quadra with bracket 260 (Artares short side)



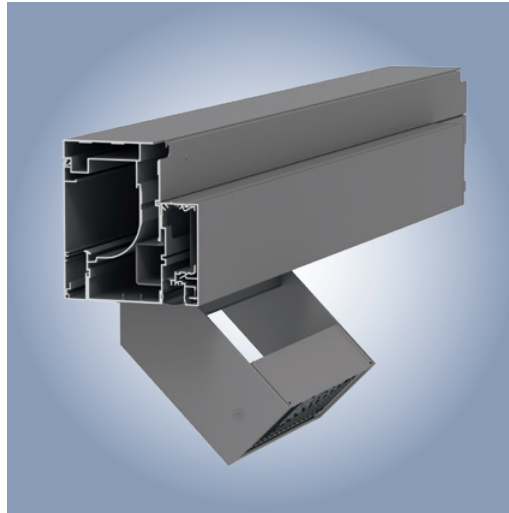
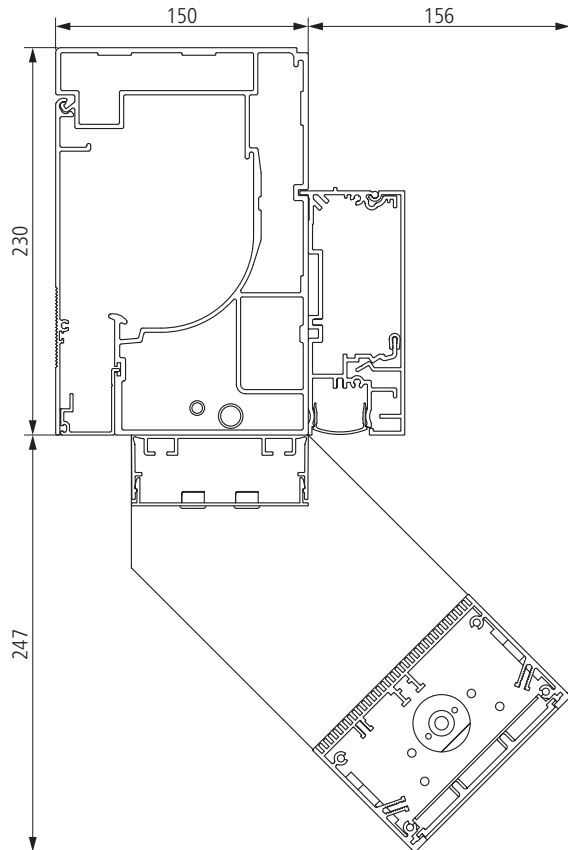
Frame profile short side with Tempura Quadra



Frame profile short side with Tempura Quadra on guttering when combined with w17 easy

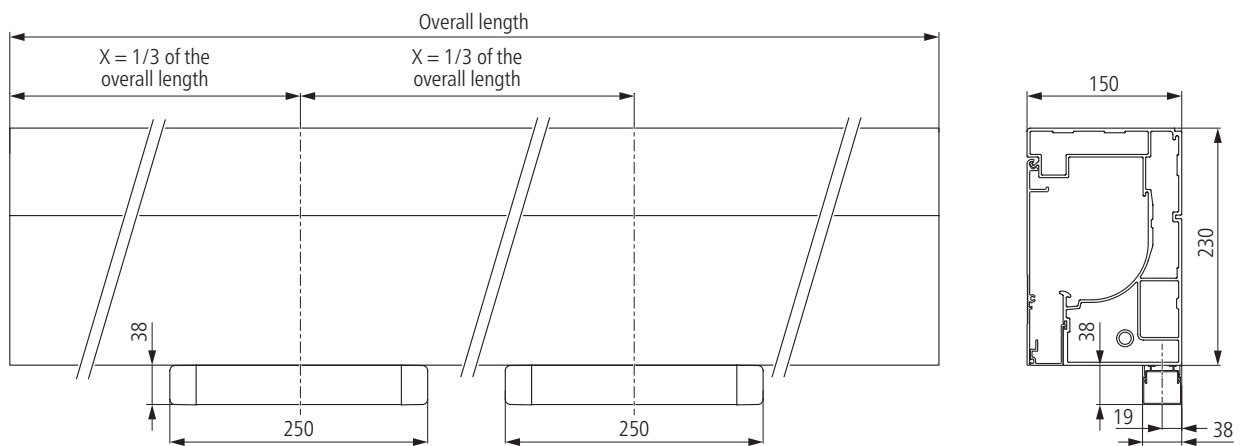
Cross-sections and dimensions

Tempura Quadra with bracket 260 (Artares long side)



Frame profile long side with Tempura Quadra and electronic components profile

Universal mains connection preparation (with E-box)



Artares sun protection

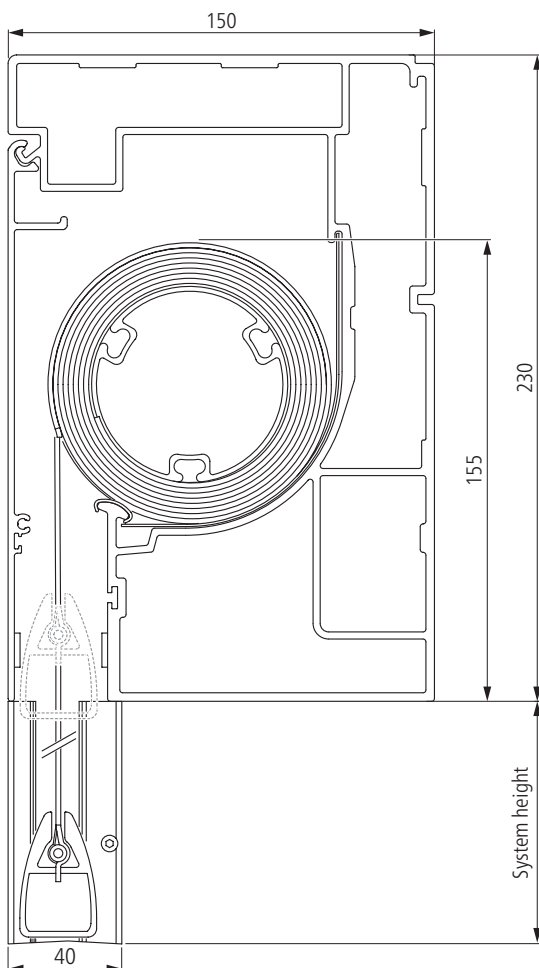
Integrated vertical sun protection



Integrated vertical sun protection

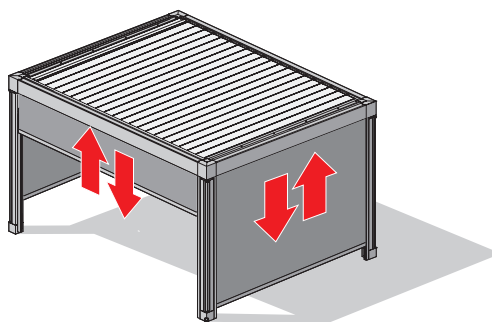
The vertical sun protection is elegantly integrated into the construction of the louvred roof integrated – for a seamless look. It protects against prying eyes and the low sun. Upon request, it can be integrated for individual sides or also all the way round. Retrofitting this system later will soon be possible, too.

Fascia cross-section with integrated vertical sun protection



Wind resistance class

The vertical sun protection from weinor withstands a wind speed of up to 49 km/h, thus fulfilling DIN 13561 wind resistance class 3 (wind strength 6 on the Beaufort scale). This means they can only be used/operated in conditions up to wind resistance class 3.



The integrated vertical sun protection can be operated from all sides individually.

Radio control

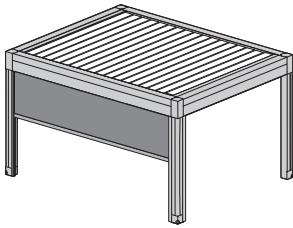
The integrated vertical sun protection can be operated either with the weinor BiConnect or Somfy io radio control system. The cabling is pre-manufactured in the frame at the works and delivered ready to plug in. The drive uses BiConnect remote-controlled motor elero SunTop 868 or Somfy io.



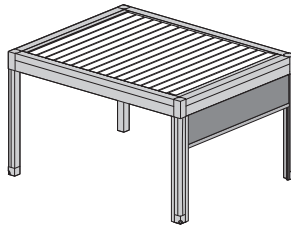
Integrated vertical sun protection

Combination options

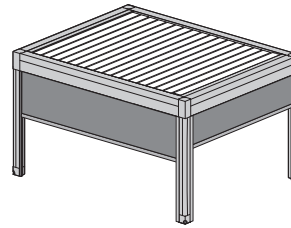
A few examples of the integrated vertical sun protection.



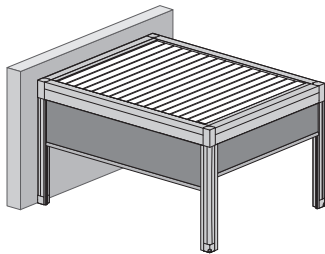
Vertical sun protection on the short side



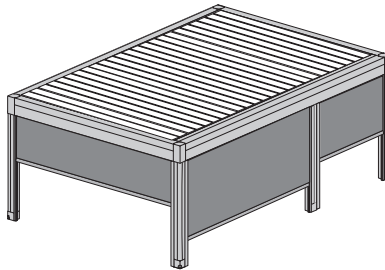
Vertical sun protection on the long side



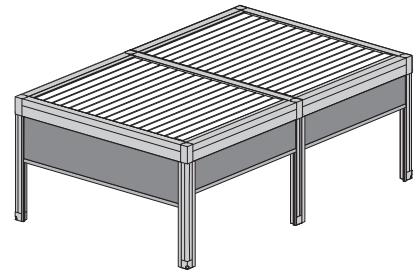
Vertical sun protection on the short and long side



Vertical sun protection on the short and long side with wall connection



Vertical sun protection on the long side, split on the short side



Vertical sun protection on the short and long side, coupling on the long side

Maximum dimensions for the vertical sun protection

Vertical sun protection	Width (max.)	Height (UKR - OKFF)
1-part	6,000 mm	3,000 mm

(Minimum distance between two posts: 1,500 mm)

Wider constructions (2-part) must be split accordingly with the middle post. When retrofitting the vertical sun protection, a possibly necessary middle post can also be retrofitted.

Notes:



Vertical sun protection can also be retrofitted. When ordering we recommend the connection pre-equipment for vertical sun protection into account including the necessary connecting lead integrated in the frame.

Vertical sun protection cannot be installed with two indented posts on one side! A post must always be positioned on a corner joint.

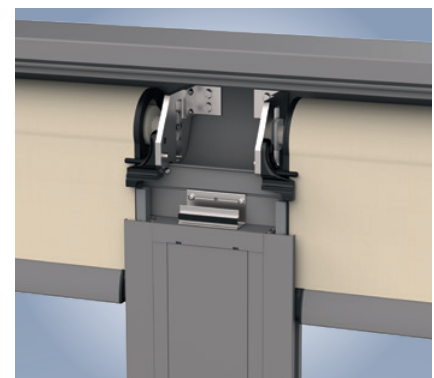
Vertical sun protection details



Vertical sun protection motor side



Vertical sun protection bearing side

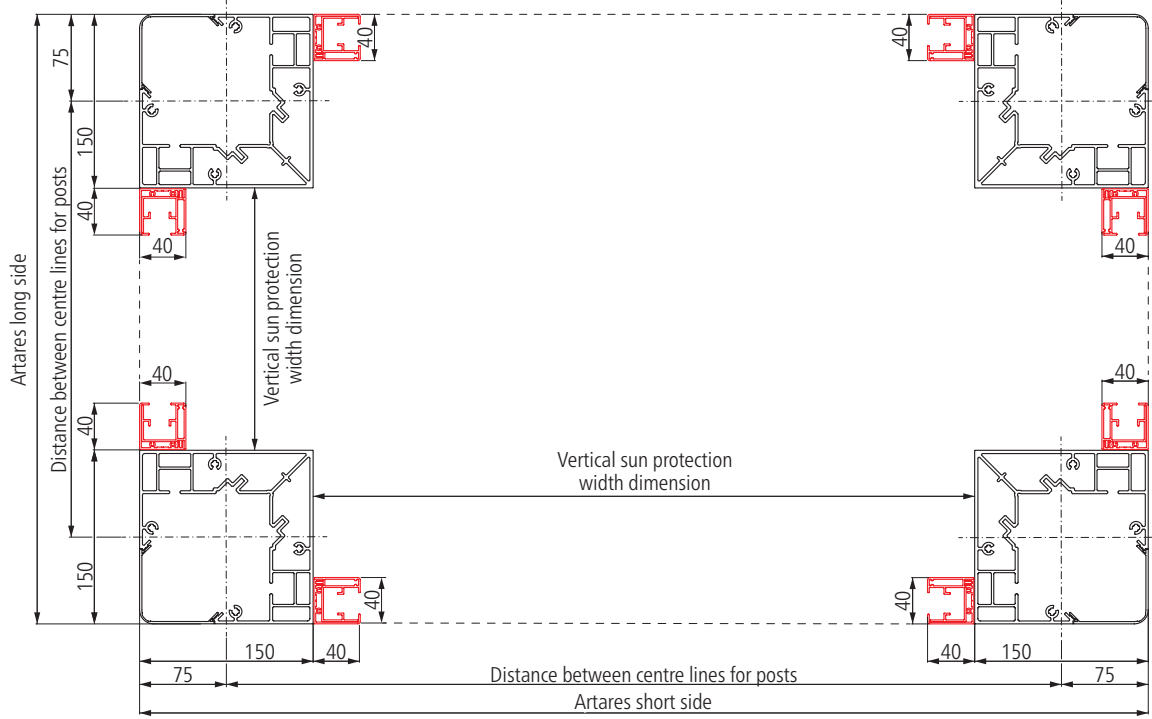


Vertical sun protection using the example post centre (double-sided)

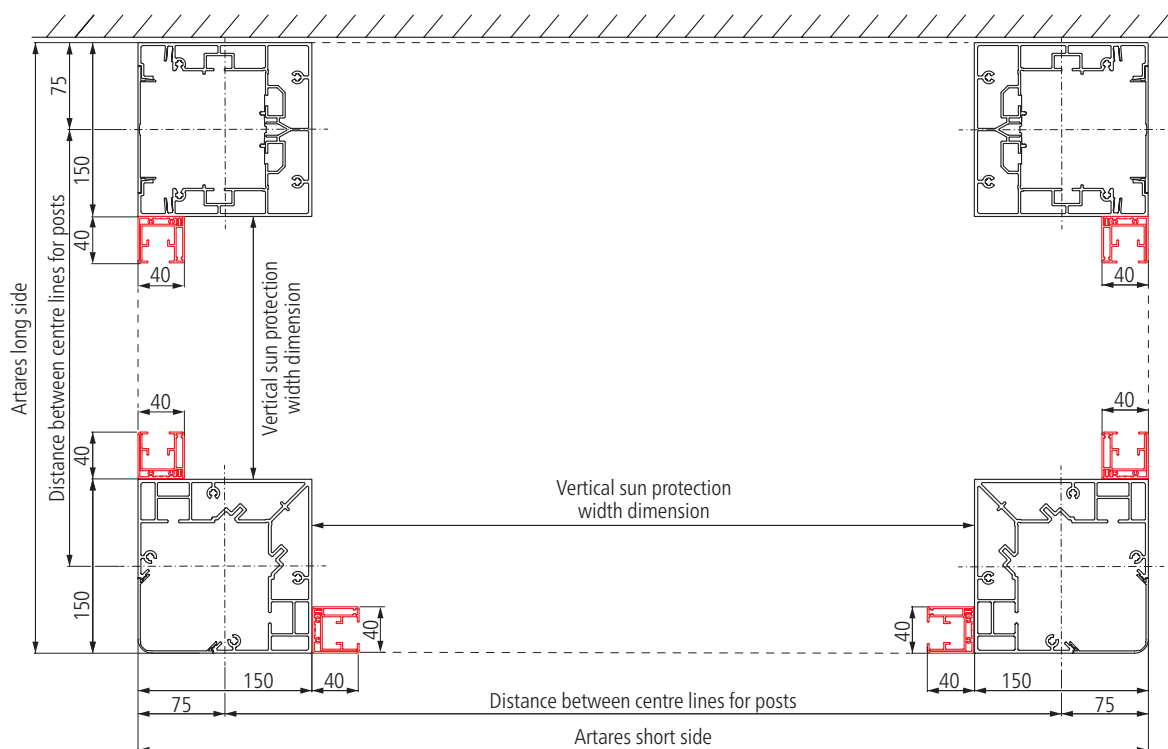


Integrated vertical sun protection

Free-standing Artares with vertical sun protection on all sides

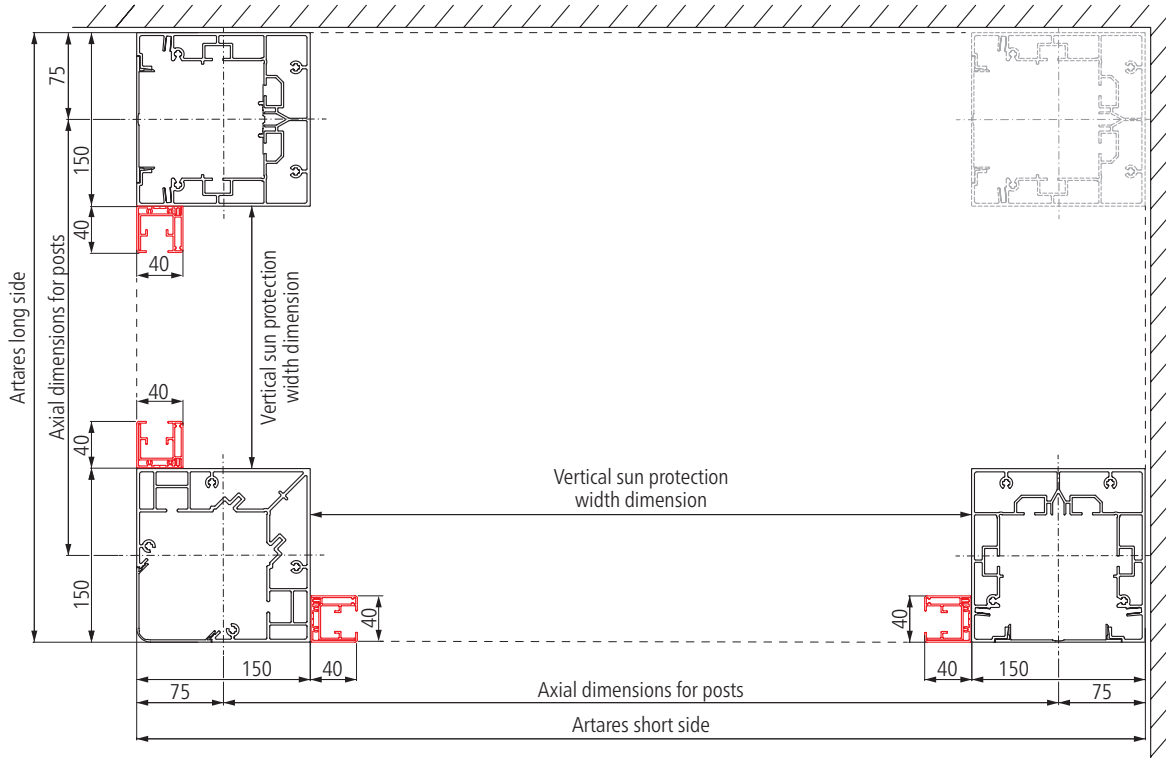


Artares wall situation with vertical sun protection on three sides

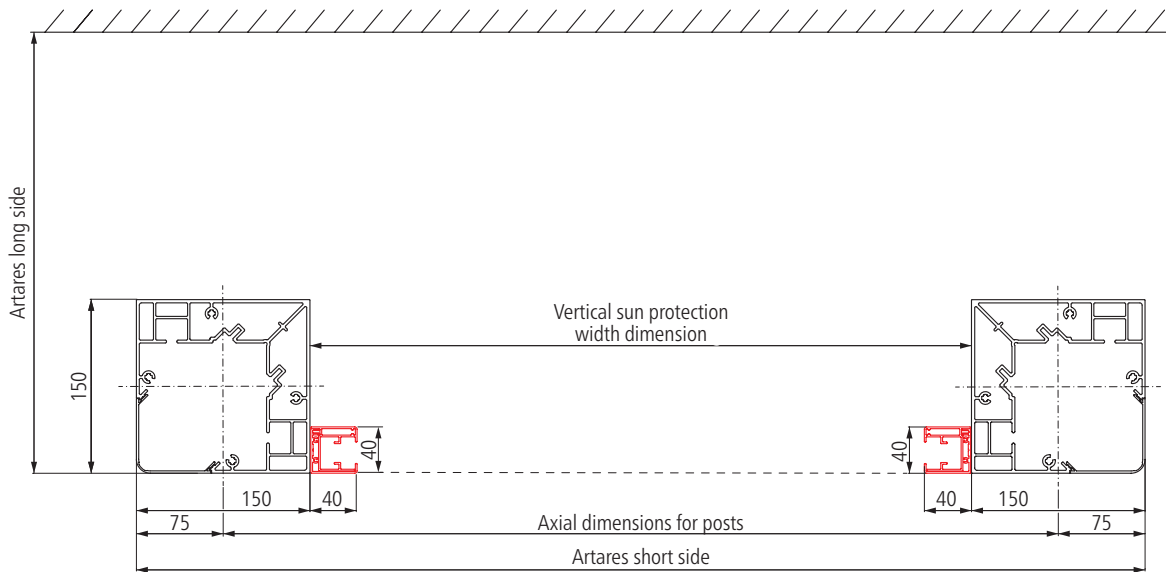


Integrated vertical sun protection

Artares corner wall situation with vertical sun protection on two sides

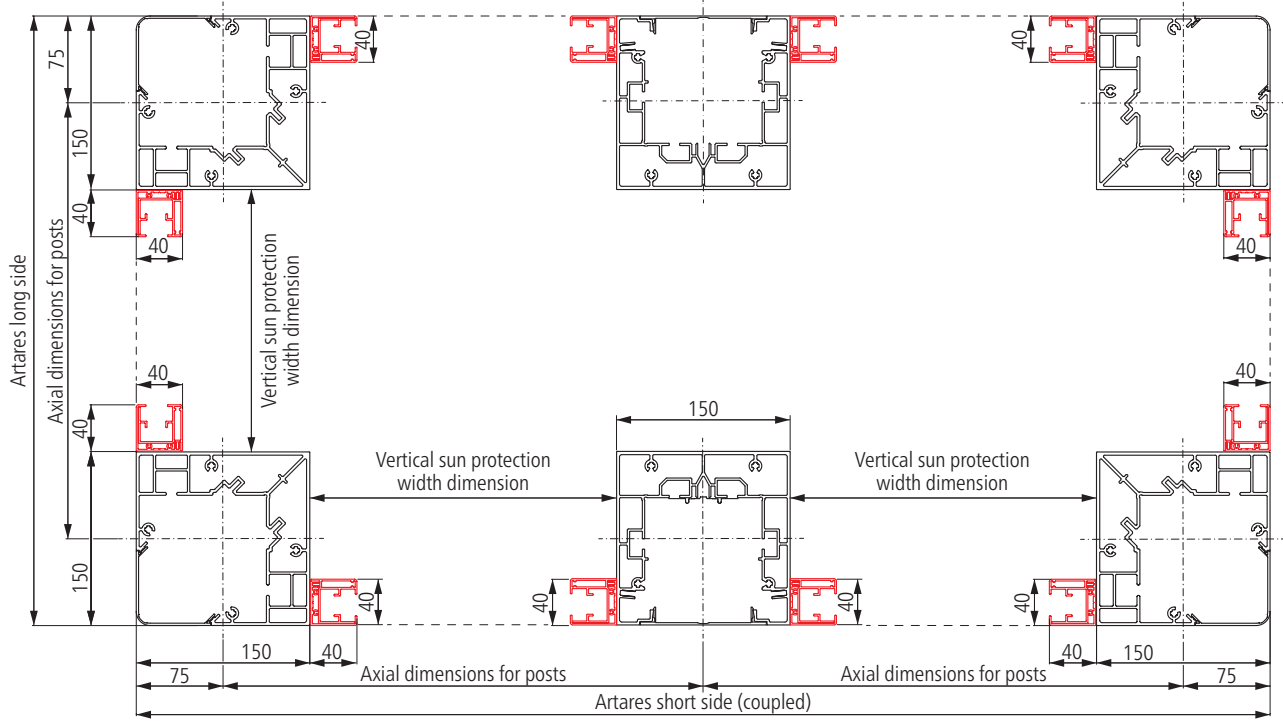


Artares wall situation with 2 posts and vertical sun protection at the front

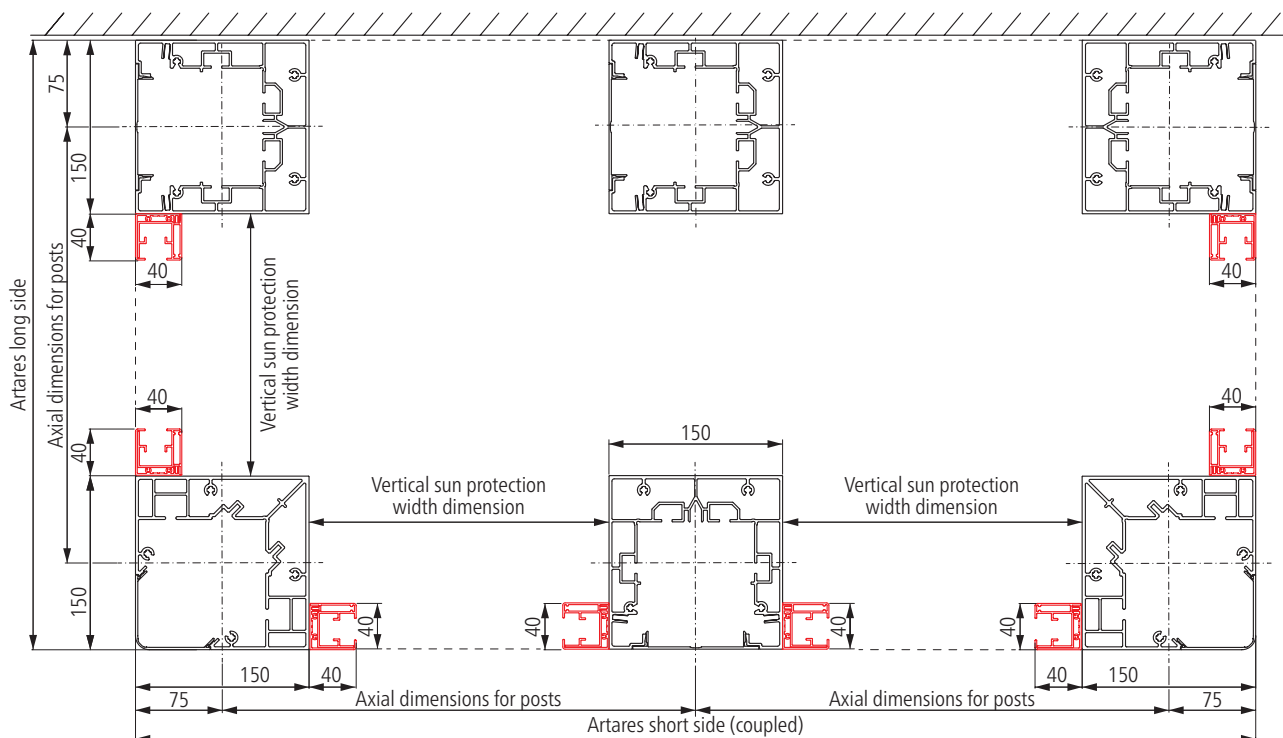


Integrated vertical sun protection

Free-standing Artares with vertical sun protection on all sides

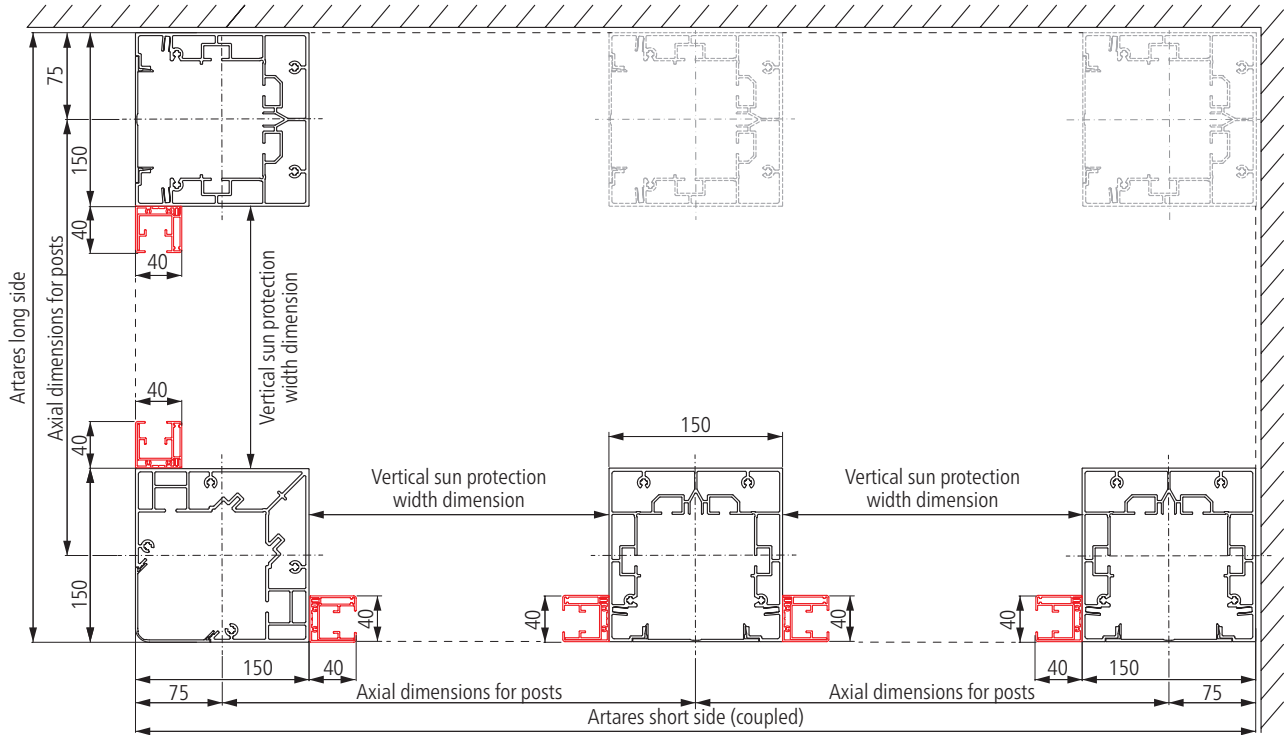


Artares wall situation with vertical sun protection on three sides

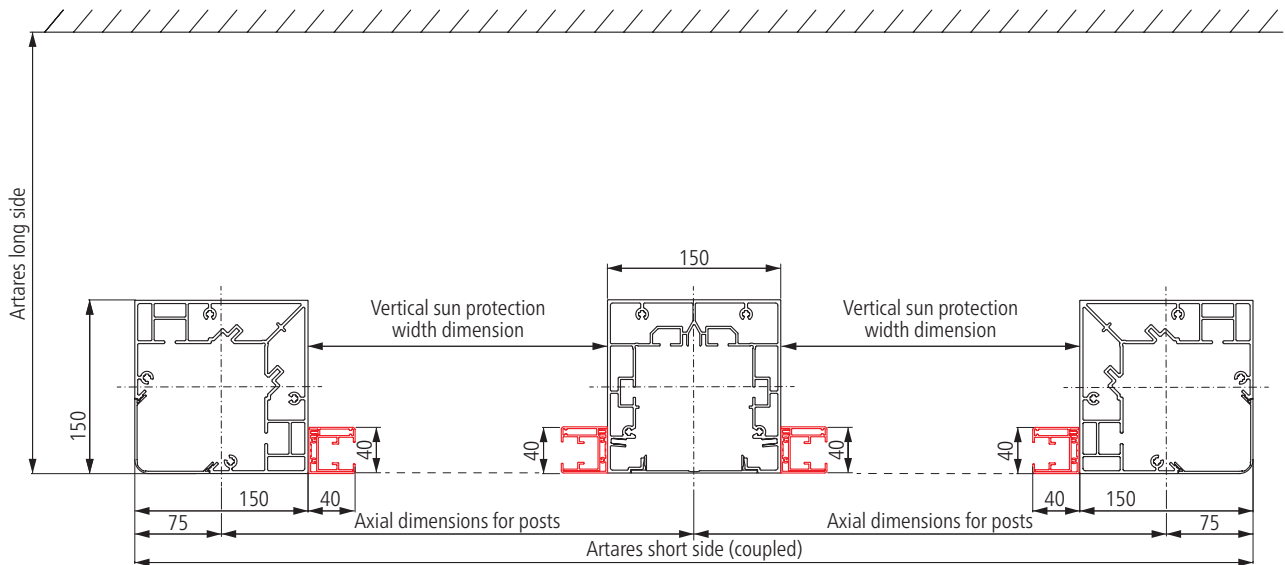


Integrated vertical sun protection

Artares corner wall situation with vertical sun protection on two sides



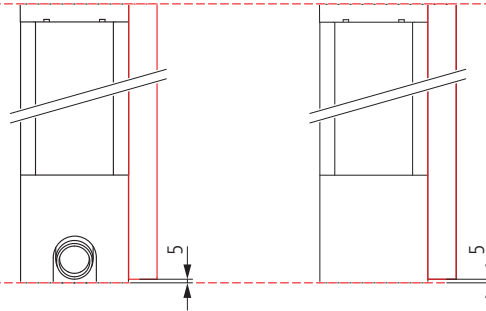
Artares wall situation with 3 posts and vertical sun protection at the front



Integrated vertical sun protection

Artares post options with side channel attached when using vertical screens – various installation situations

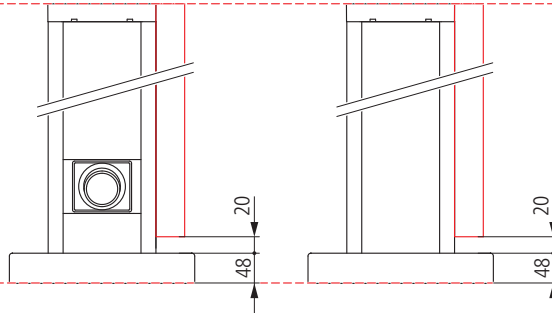
Centre/wall post with post base M



↑ UKR

↓ OKFF

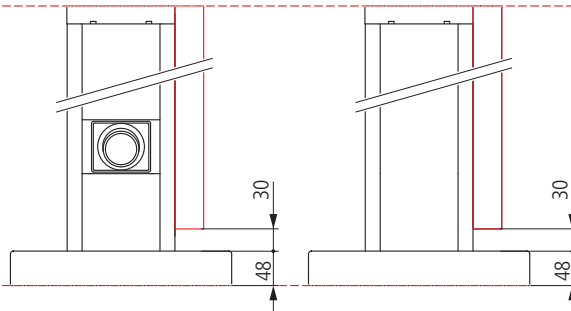
Centre/wall post with post base S



↑ UKR

↓ OKFF

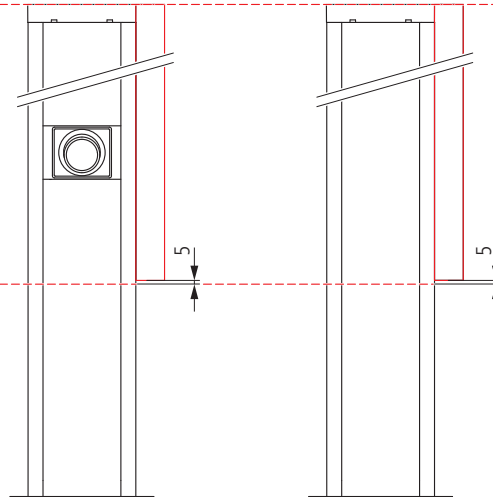
Centre/wall post with post base L



↑ UKR

↓ OKFF

Centre/wall post buried in concrete foundations



↑ UKR

↓ OKFF

Artares w17 easy

w17 easy



Full glass sliding door w17 easy

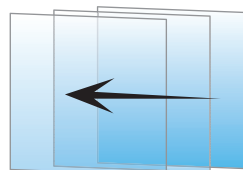
Standard version for Artares

Alongside an all-round view, weinor w17 easy full glass sliding doors provide reliable protection against wind and driving rain

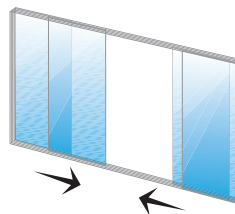
- All glass system with movable individual leafs.
- Always opens in a single direction.
- Leaf actuator for ease of closing.
- Top and bottom guide profiles, 2- to 4-track. When ordered at the same time as the Artares louvred roof, the frame for fastening the the w17easy top track is pre-drilled.
- Supported free standing system
- Transparent gap seals between the lockplate version's opening doors.
- Stacked door packages can be slid in either direction (optional supply as lockplate / split draw design), depending on the number of leafs/tracks.
- Maximum height of 2,800 mm
- Highly resistant to driving rain and windy conditions.
- For w17 easy accessory options please see price list/product catalogue.

Important notes:

- Pay close attention to the correct static when ordering with w17 easy with Artares (also if doing so retrospectively). For information on the design see the price list or weinor E-Shop.
- The installation of glazing elements in the indented post version is only possible if the Artares is fixed to one side of a wall. Other versions are available on request. A separate downpipe must be mounted to the corner joint for drainage.
- Before installation, it must be ensured that the post base does not collide with the rail of the glazing element, e.g. if the post base is turned inwards. The foundation depth must also be taken into account.



w17 easy full glass sliding door with sliding option

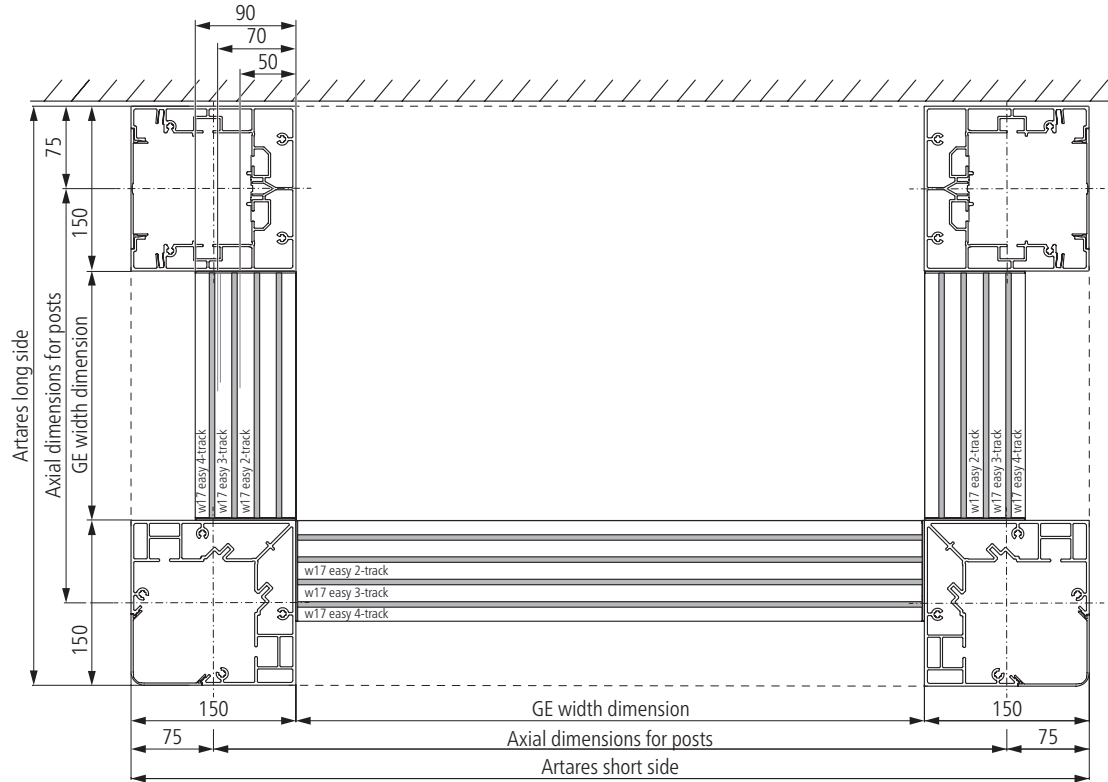


w17 easy full glass sliding door with lockplate option

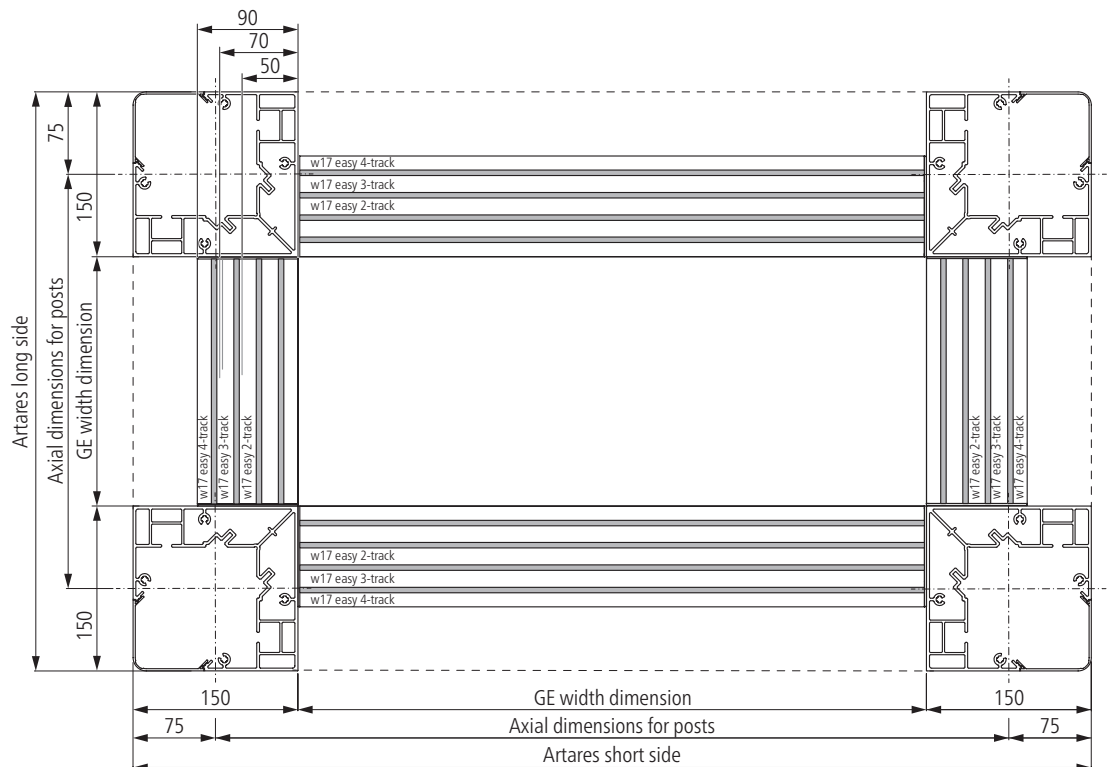
Artares w17 easy

w17 easy

Artares, one-panel unit with wall connection frame and w17 easy circumferential, 2-4 track



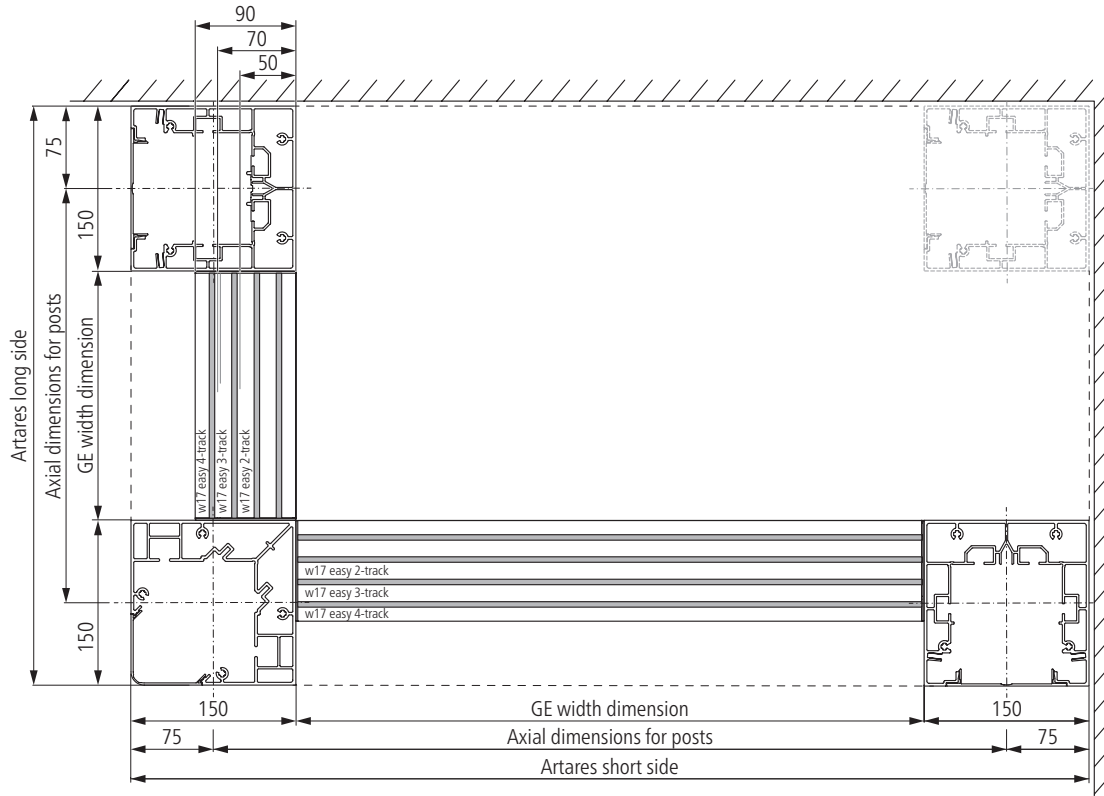
Artares, one-panel unit freestanding with w17 easy circumferential, 2-4 track



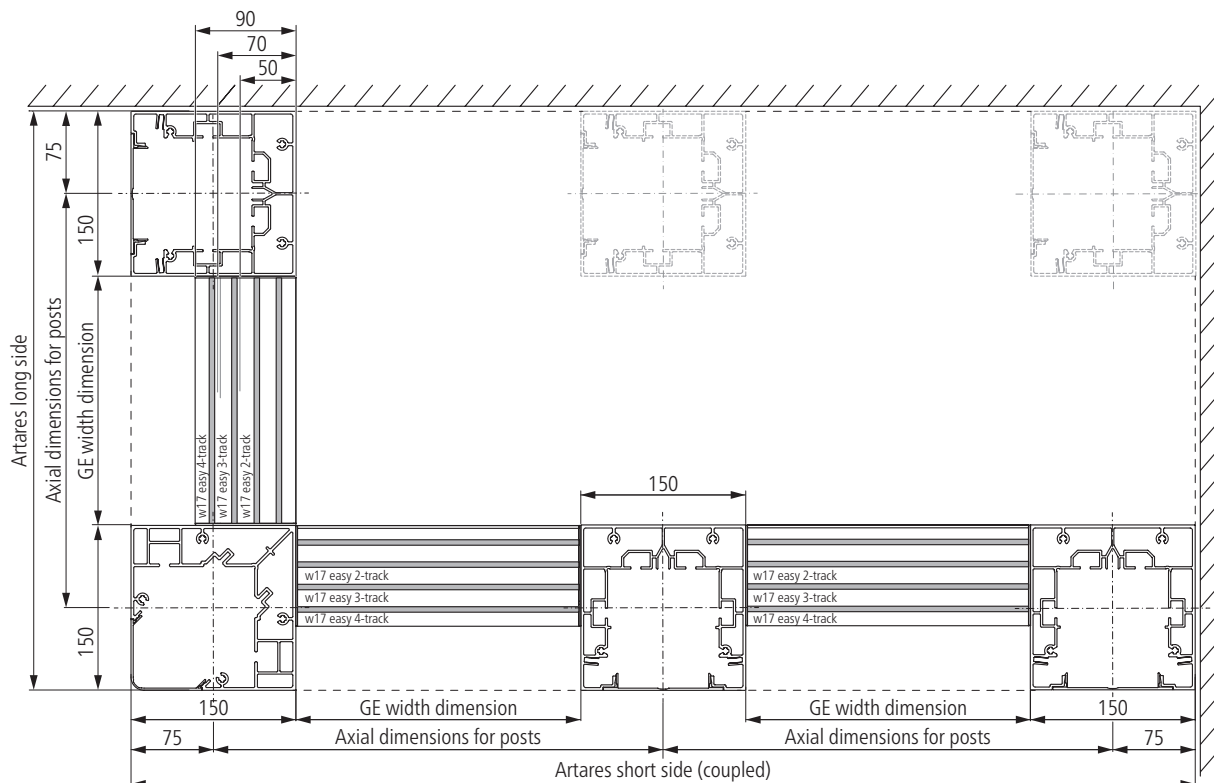
Artares w17 easy

w17 easy

Artares, one-panel unit with wall connection frame and w17 easy on the left-hand side and at the front, 2-4 track



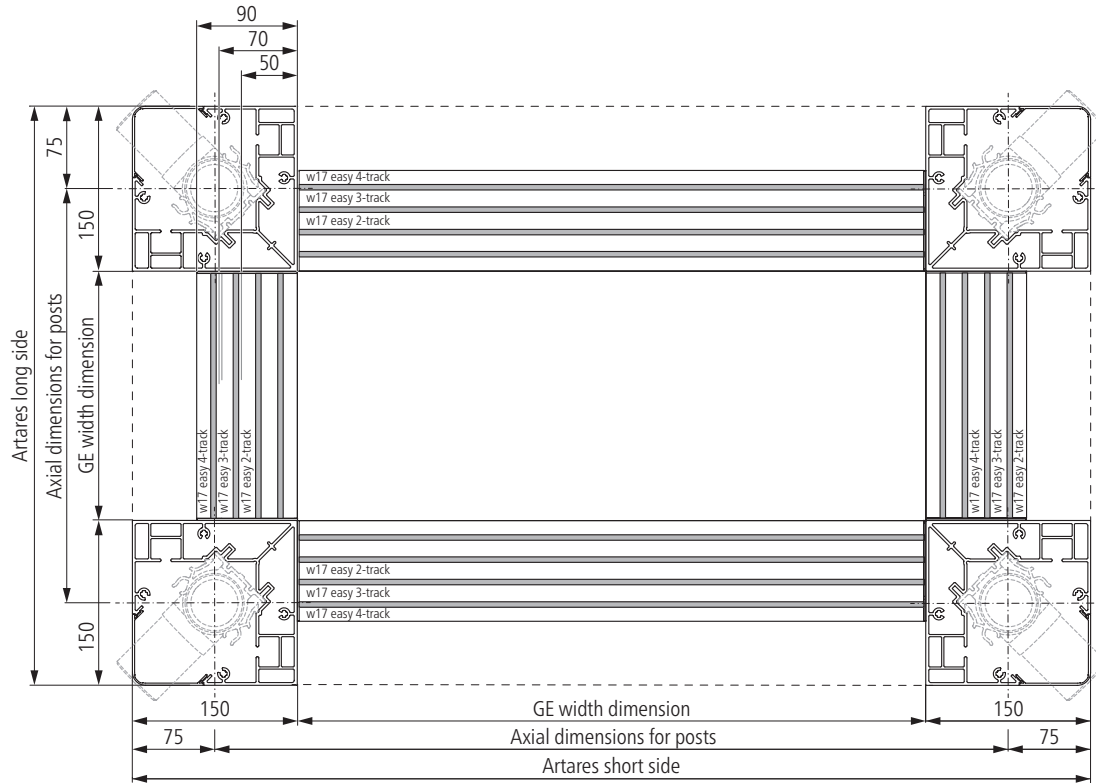
Artares, two-panel unit with wall connection frame and w17 easy on the left-hand side and at the front, 2-4 track



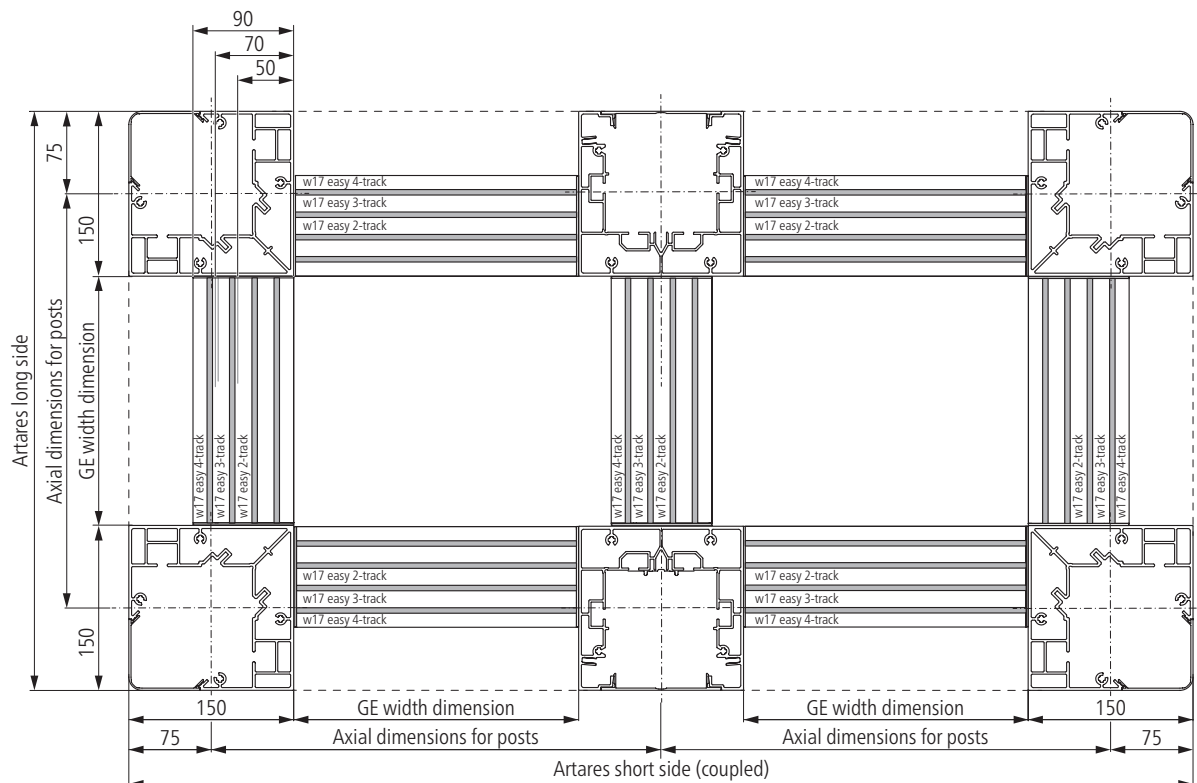
Artares w17 easy

w17 easy

Artares, one-panel unit freestanding with w17 easy circumferential, 2-4 track, with a drain



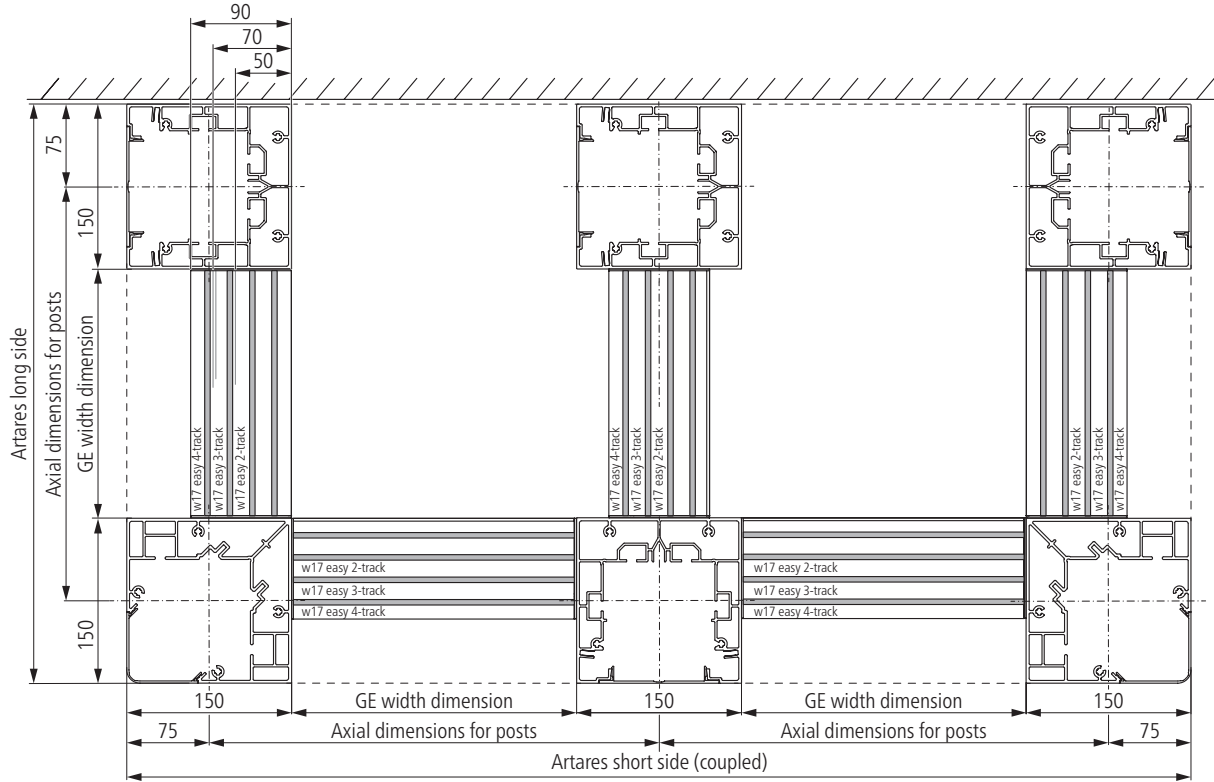
Artares, two-panel unit freestanding with w17 easy circumferential, 2-4 track



Artares w17 easy

w17 easy

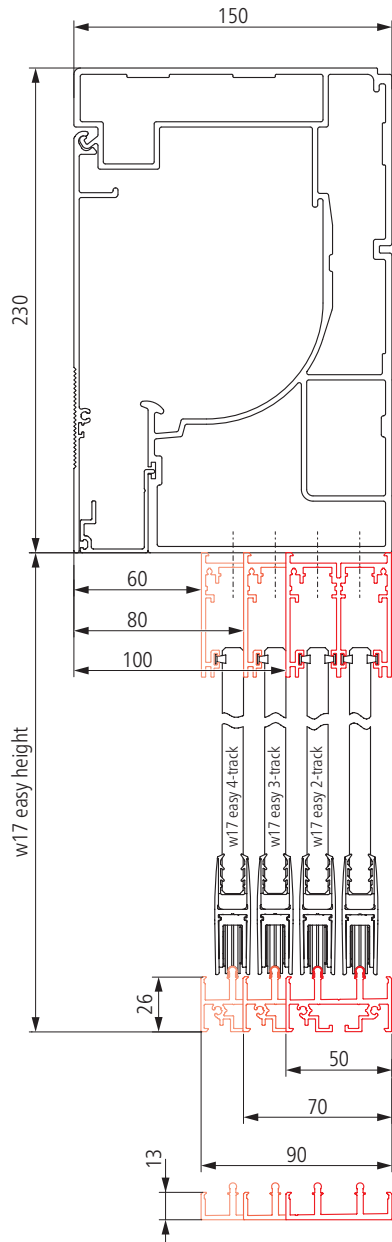
Artares, two-panel unit with wall connection frame and w17 easy circumferential, 2-4 track



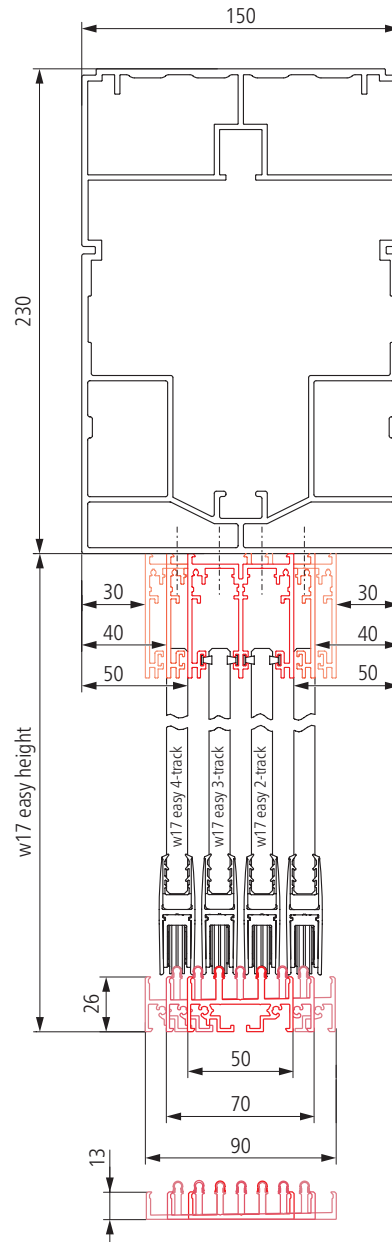
Artares w17 easy

w17 easy

Section sideways, frame outside, 2-4 track



Section sideways, frame coupling 2-4 track



Note:

Please ensure that the w17 easy top track is attached correctly – suitable fixing screws are supplied with the order. This is very important because there may be electrical cables running in the frame.

Artares installation tool list

Tools / accessories required	Size	Use
Torque wrench 1/4 inch, 4-20 Nm		Miscellaneous bolting
Torque screwdriver 1/4 inch, 1-3.5 Nm		Miscellaneous bolting
Bit extension for ratchet spanner 175mm flexible, 1/4 inch		Self-tapping screws in the corner joint
Allen screw with a cross handle	4, 5, 6, 8, 10	Miscellaneous bolting
Allen wrench set	1.5 - 10; 9-part	Miscellaneous bolting
Hexalobular (ISR) set	TX10,15, 20, 25, 27, 30	Miscellaneous bolting
Socket wrench	8, 10, 11, 12, 13, 17	1/4 & 1/2 inch set with extensions and flexible shaft recommended
Long-nosed pliers	160 mm	For installation of the retaining rings in the louvre holder profile and the drive rod
One-handed clamps	Min. 300 mm	To lock the connecting parts in position, e.g. vertical sun protection wall rails
Soft-head hammer with a nylon insert	400 gr	As required
Machinists' hammer	500 gr, 800 gr	As required
Bevelling shear	For straight and 45° cuts	Cut rubber seal to length
2K security knife	Length 170 mm	To open packaging
Circular saw with aluminium/steel disc		As required
Hacksaw (handheld)		To cut the plastic pipe to length
Mitre saw for aluminium	Lift/pull per 155 mm	Saw posts to length, various cuts
Screws/dowels/anchors	As required	For wall connection profile; post base, post plate
Sealant gun		Processing adhesive and sealing compounds
Putty knife		Processing adhesive and sealing compounds
Primer	suited	Preparation of the assembly base for applying the adhesive and sealing work
Sealants/adhesives	suited	Sealing, gluing, plugging
Percussion drill		For drilling fixing holes into the ground
Rechargeable battery-operated drill		As required
Masonry drill		10, 12, 14, 16 mm l = 450mm
Screw tap / Thread cutter		Re-cutting thread if necessary
Filler cord	D = 1 cm	Wall connection profile to the building
Corrosion protection for posts		Setting posts in concrete
Cable reel	As required	
Ladder	at least 2 m	Quantity: 2
Tape measure	15 m (weinor)	Aligning the unit
Telescopic measuring stick	5 m	Aligning the unit
Spirit level	2 m long	Guttering, wall connection profile, plumb the posts
Hose level	20 m	Aligning the unit
Adjustment kit for Elero with breakout cable		Setting the motor, louvre motor, motors for vertical sun protection

Artares installation tool list

Tools/accessories required	Size	Use
Metal twist drill bits	Set of 1 to 13 mm minimum	Re-drilling of powder-clogged holes, normal drill holes, guttering drill holes in the post (D8 mm)
Countersink and deburrer	Set 6.3 - 20.5	DIN 335 form C 90°Æ10,4; to counterbore drilled holes
Folding rule/tape measure	2 m	Measuring, alignment of the mounting system
Laser/levelling device with a stand and receiver		e.g. rotation laser, crossline laser > measuring, installation
Plumb-line	5 m	
Cleaning agent Isopropanol	e.g. Isopropanol	For adhesives and sealing compounds
Touch-up pens		For any touch-up work
Pens, scribes		for markings
Calculator		
Digital camera		Installation photos
Disposable gloves		Handling cloths
Side cutters		for electrical connections
Voltage meter tester		for electrical connections
Wire stripper		for electrical connections
Cleaning cloth roll		for cleaning the equipment
Cleaning cloths		for cleaning the equipment
Film cutter 1)		For cutting the protective film for the fabric rolls open (vertical sun protection)
Installation lifts, 2 pcs.		Profiles/awning can be placed on it and raised
Butyl tape		Wall profile on the side of the building
Screwing machine for Krinner screw foundations	As required	for Krinner screw foundations
Rivet gun / rivet pliers / rivet nut pliers	For thread rivets M6, M8 as well as blind rivets D4, D5	Retrofitting the middle post, corrections to the U-profile, retrofitting Tempura, post base attachment
Adjustable trestle		Louvres, revision profiles, fabric packages can be placed on it
Hot hair dryer		In order to remove folds from fibreglass screens
Protective work clothing (shoes, gloves, ...)		As required
Support blocks, bearing capacity up to 4 t	1 - 5mm	

47 standard RAL colours



Over 200 modern frame colours

Colour manufacturers make every effort to guarantee colour stability. Despite this, as a result of the ban on the use of heavy metals in powder coatings, it therefore cannot be excluded that colours in general, and Fire Red (RAL 3000) in particular, may fade with time.

Maximum colour safety: weinor has over 200 different frame colours for you to choose from. You can choose from diverse colours which harmonise with the architecture.

Identical colours – for a perfect match

As weinor does all the powder coating in its own workshop, you can also rest assured that different weinor products come with the same top-class colour tonality and identical gloss level.

Choose from an abundance of high-quality colours:

- 47 standard RAL rack colours, silk gloss
- 9 scratchproof, resistant trend colours with an elegant textured look (standard)
- over 150 special RAL colours

RAL 8003
Clay brown

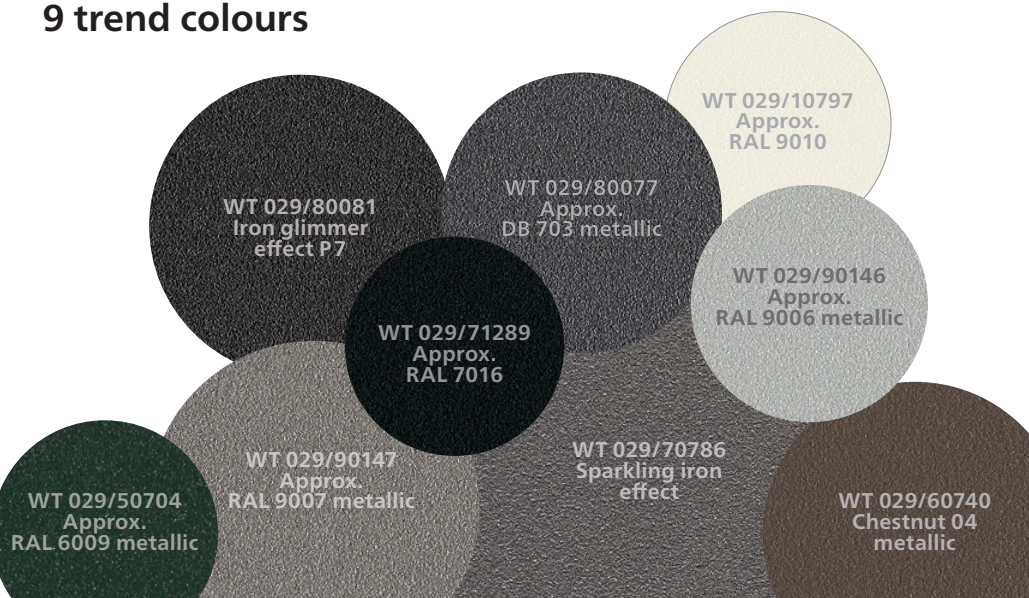
RAL 6012
Black green

RAL 1002
Sandy yellow

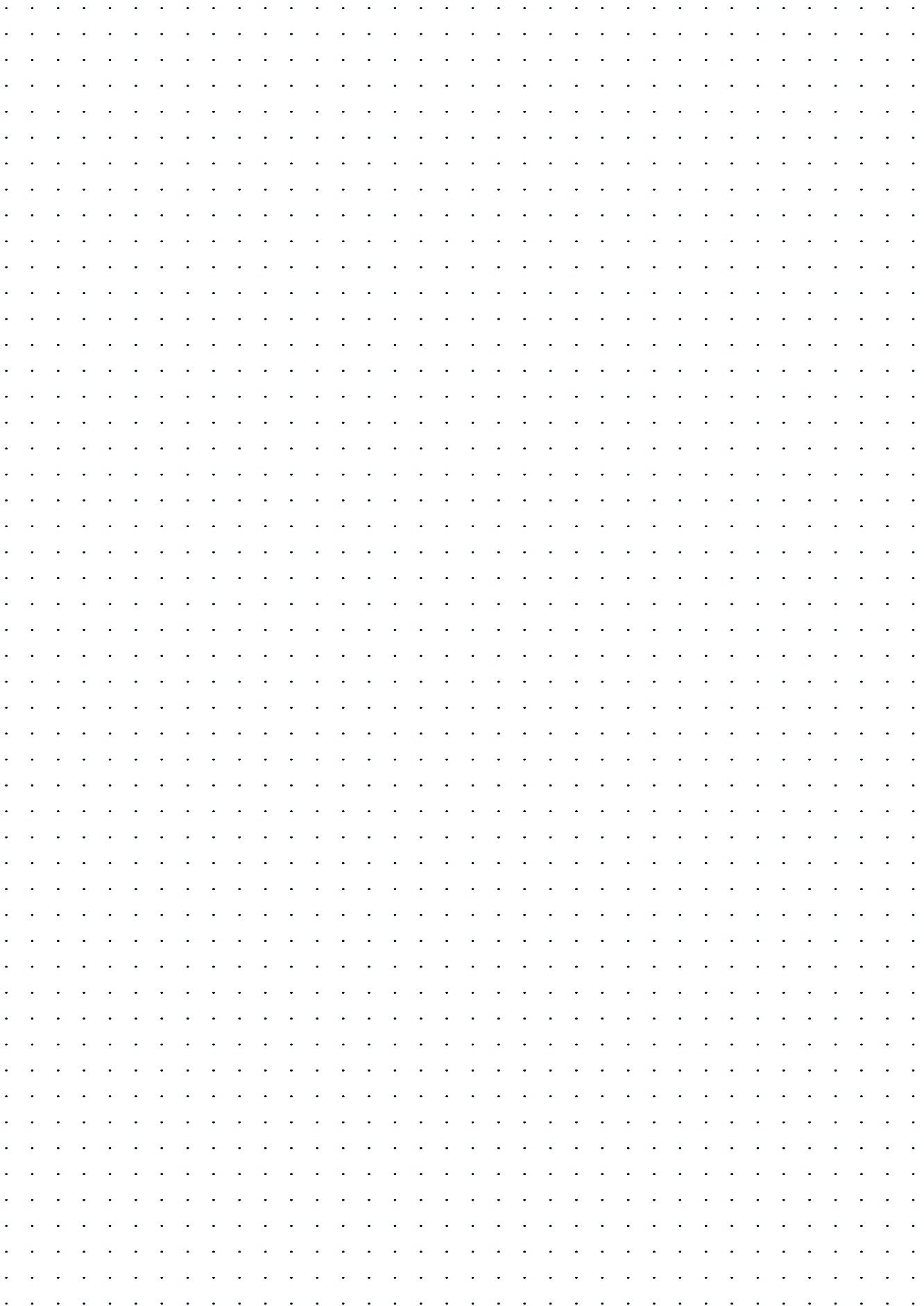
RAL 1015
Light ivory

RAL 1003
Signal yellow

9 trend colours



Notes



We reserve the right to make technical changes as well as changes in range and product portfolio. The weinor product range may vary depending on the country. All the illustrated equipment is weatherproof outdoor furniture and accessories. For technical reasons, the colours may appear slightly different when printed.

weinor GmbH & Co. KG
Mathias-Brüggen-Straße 110
50829 Cologne
Germany
weinor.com



Premium quality
made in Germany



Awning
with Tempura



Awning
with Valance Plus
and Paravento



Pergola awning
Plaza Viva
and Paravento



Pergola awning
weinor PergoTex II
with VertiTex II

AWNINGS

PERGOLA AWNINGS

CUSTOMISED, SYSTEMISED SOLUTIONS



Artares louvred roof
with vertical sun protection

PATIO ROOFS AND GLASOASEN®



Terrazza Sempra
patio roof
with Sottezza II and
VertiTex II



Terrazza Originale
patio roof
with Sottezza II
sun protection



Terrazza Pure patio roof
with lateral SUPER LITE
fixed glazing



Glasoase® with
conservatory awning
WGM Top, full glass sliding
door w17 easy and Tempura



0/0325/131158-0000 w
We reserve the right to make technical changes as well as changes in range and product portfolio. The weinor product range may vary depending on the country. All the illustrated equipment is weatherproof outdoor furniture and accessories. For technical reasons, the colours may appear slightly different when printed.