

NEW: SKYFORCE REVEL MOUNTING

SKYFORCE

- | Quick and simple mounting
- | Different surface finishes
- | Available for different glass thicknesses, pre-assembled as set
- | Max. width up to 3000 mm
- | Suitable for plastic, aluminium and wooden frames
- | Mounting on stone, concrete and steel
- | Independently tested and certified to BS6180:2011
- | Patented unique drainage systems

SKYFORCE

Fall protections for Juliet Balconies

The System of Invisibility.

Once again **ONLEVEL** sets innovative trends with the **SKYFORCE** fall protection for juliet balconies. It is the first practically invisible system application. But what is even better: It is the best and most cost-effective system application on the market. There is no system which can be mounted easier and quicker. This saves you unnecessary frustration and gives you valuable additional time and profit potential. Thanks to the **ONLEVEL** "Prefabricated System", you save 45 minutes of mounting time per set.

We have consistently implemented both the quick and easy installation as well as the classical and timeless design. The fall protection can be easily installed behind the shutter guide rails with simple tools. As a matter of course, **SKYFORCE** is also compatible with any window profile: Thanks to our unrivalled and predestined Slide & Click Technique, the system can be mounted directly onto the window frame or masonry. Best of all, you can cover all glass thicknesses, heights and widths with only one profile.



LINE LOADS UP TO 1.5kN

Essential Features

- | Easy ordering thanks to packaging sets of 900, 1000 and 1100 mm
- | **ONLEVEL** Prefabricated-System - Mounting advantage of up to 45 minutes per set
- | Storage lengths of 5000 mm available to allow customer made solutions
- | With drainage channels
- | Nearly tool-free installation
- | Colour design possible according to RAL
- | Suitable for plastic, aluminium wooden and metal frames
- | With General Building Inspection Test Certificate ABP and BS6180
- | **SKYFORCE** glass dimensions acc. to ABP:

Glass width up to	Glass thickness	Glass height
1200 mm	10.76 mm	800 - 1200 mm
1400 mm	12.76 mm	500 - 1200 mm
1700 mm	16.76 mm	500 - 1200 mm
3000 mm	21.52 mm	300 - 1200 mm

For additional special dimensions please refer to the test certificates



TESTED
according to
BS6180

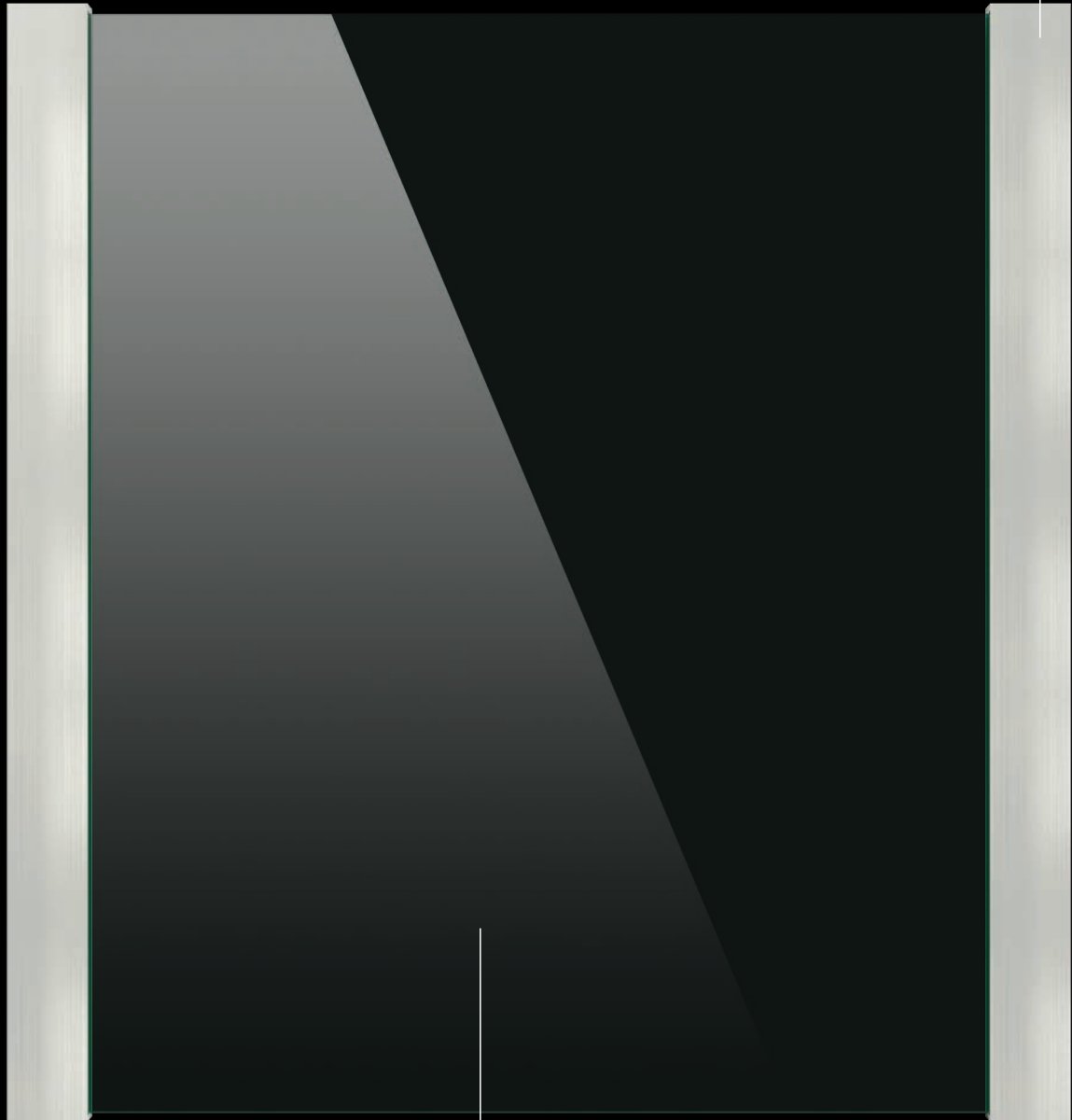


CALCUL STATIQUE
selon la **DIN18008**



Quick and simple mounting

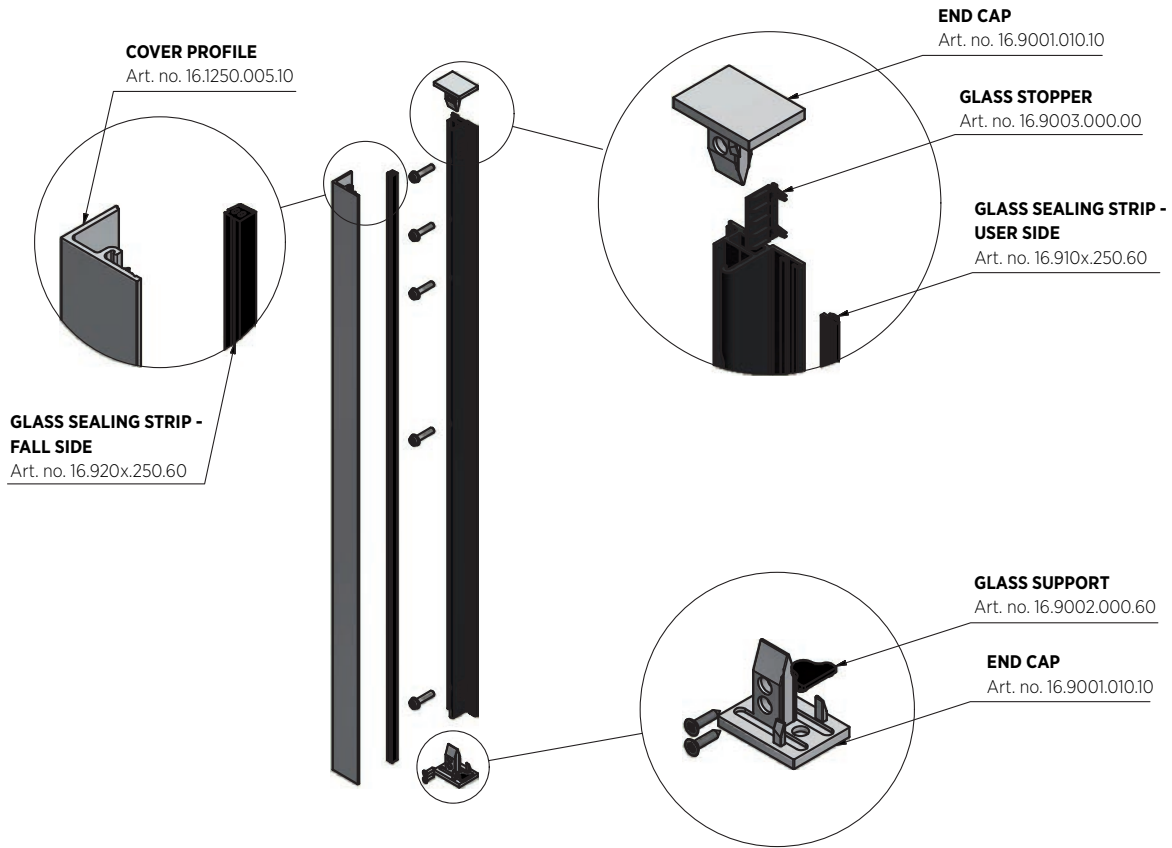
Different finishes



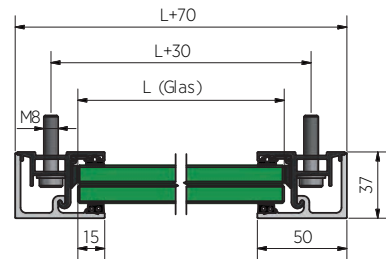
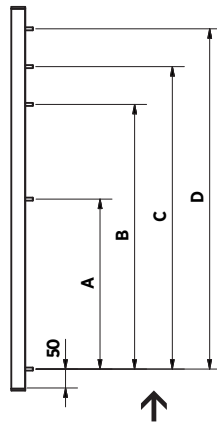
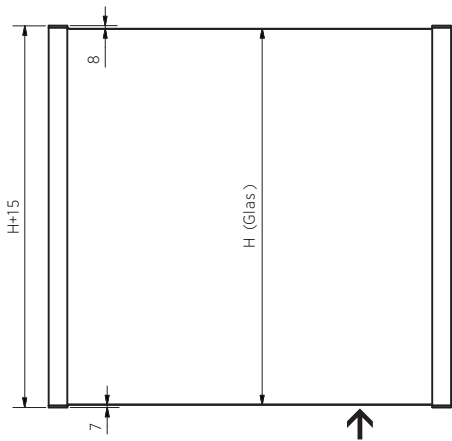
Available for different glass thicknesses, pre-assembled as set

The coolest of all names

SKYFORCE TOP MOUNT



Glass Dimensions Skyforce Top Mounting



Glas Height (H)	900 mm	1000 mm	1100 mm
A	400	450	500
B	600	700	800
C	700	800	900
D	800	900	1000

SKYFORCE | EXTERIOR MOUNT | PRE-SIZED FINISHED KITS

Surface finish code for your Skyforce order

- .10 Aluminium, mill finish
- .11 Aluminium, anodised
- .13 RAL glossy (minimum order quantity 5 units)
- .16 RAL structured matt (minimum order quantity 5 units)
- .18 RAL matt (minimum order quantity 5 units)
- .16sb RAL structured matt in Stealth Black colour (minimum order quantity 5 units)

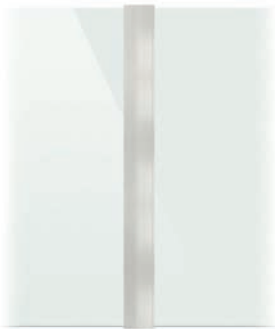
Example: You order your 16.1009.010.**16** profile and receive it with “structured matt” surface finish and a colour of your choice. If you’d like to learn more about our colour structures, you can order one of our colour charts – Art. No.: 85.7003.001.00 at info@onlevel.com.

Juliet balcony, 2-part complete set



Height	500 mm	700 mm	900 mm	1000 mm	1100 mm	1200 mm
Rubber set for	Art. no.	Art. no.	Art. no.	Art. no.	Art. no.	Art. no.
10 - 11 mm	16.1005.010.xx	16.1007.010.xx	16.1009.010.xx	16.1010.010.xx	16.1011.010.xx	16.1012.010.xx
12 - 13.5 mm	16.1005.012.xx	16.1007.012.xx	16.1009.012.xx	16.1010.012.xx	16.1011.012.xx	16.1012.012.xx
15 mm	16.1005.015.xx	16.1007.015.xx	16.1009.015.xx	16.1010.015.xx	16.1011.015.xx	16.1012.015.xx
16 - 17,5 mm	16.1005.016.xx	16.1007.016.xx	16.1009.016.xx	16.1010.016.xx	16.1011.016.xx	16.1012.016.xx
19 mm	16.1005.019.xx	16.1007.019.xx	16.1009.019.xx	16.1010.019.xx	16.1011.019.xx	16.1012.019.xx
20 - 21.5 mm	16.1005.020.xx	16.1007.020.xx	16.1009.020.xx	16.1010.020.xx	16.1011.020.xx	16.1012.020.xx

Juliet balcony, centrepiece



Height	500 mm	700 mm	900 mm	1000 mm	1100 mm	1200 mm
Rubber set for	Art. no.	Art. no.	Art. no.	Art. no.	Art. no.	Art. no.
10 - 11 mm	16.1505.010.xx	16.1507.010.xx	16.1509.010.xx	16.1510.010.xx	16.1511.010.xx	16.1512.010.xx
12 - 13.5 mm	16.1505.012.xx	16.1507.012.xx	16.1509.012.xx	16.1510.012.xx	16.1511.012.xx	16.1512.012.xx
15 mm	16.1505.015.xx	16.1507.015.xx	16.1509.015.xx	16.1510.015.xx	16.1511.015.xx	16.1512.015.xx
16 - 17,5 mm	16.1505.016.xx	16.1507.016.xx	16.1509.016.xx	16.1510.016.xx	16.1511.016.xx	16.1512.016.xx
19 mm	16.1505.019.xx	16.1507.019.xx	16.1509.019.xx	16.1510.019.xx	16.1511.019.xx	16.1512.019.xx
20 - 21.5 mm	16.1505.020.xx	16.1507.020.xx	16.1509.020.xx	16.1510.020.xx	16.1511.020.xx	16.1512.020.xx

SKYFORCE TOP | EXTERIOR MOUNT | COMPONENTS

Juliet balcony, screw-on profile, left and right

| Sales unit: 1 piece



Model SF	Aluminium black
Length	Art. no.
5000	16.1150.005.15

Juliet balcony, cover profile, left and right

| Sales unit: 1 piece



Model SF	Mill finish	Coloured
Length	Art. no.	Art. no.
5000	16.1250.005.10	16.1250.005.13/16/18

Juliet balcony, end cap, left and right

| Fixing screw 91.1140.419.30
| Sales unit: 4 pieces



Model SF	Mill finish	Plain aluminium	Coloured
	Art. no.	Art. no.	Art. no.
	16.9001.010.10	16.9001.010.11	16.9001.010.13/16/18

SKY**FORCE** TOP | EXTERIOR MOUNT | COMPONENTS

Juliet balcony, screw-on profile, centre

| Sales unit: 1 piece



Model SF	Aluminium black
Length	Art. no.
5000	16.1650.005.15

Juliet balcony, cover profile, centre

| Sales unit: 1 piece



Model SF	Mill finish	Coloured
Length	Art. no.	Art. no.
5000	16.1750.005.10	16.1750.005.13/16/18

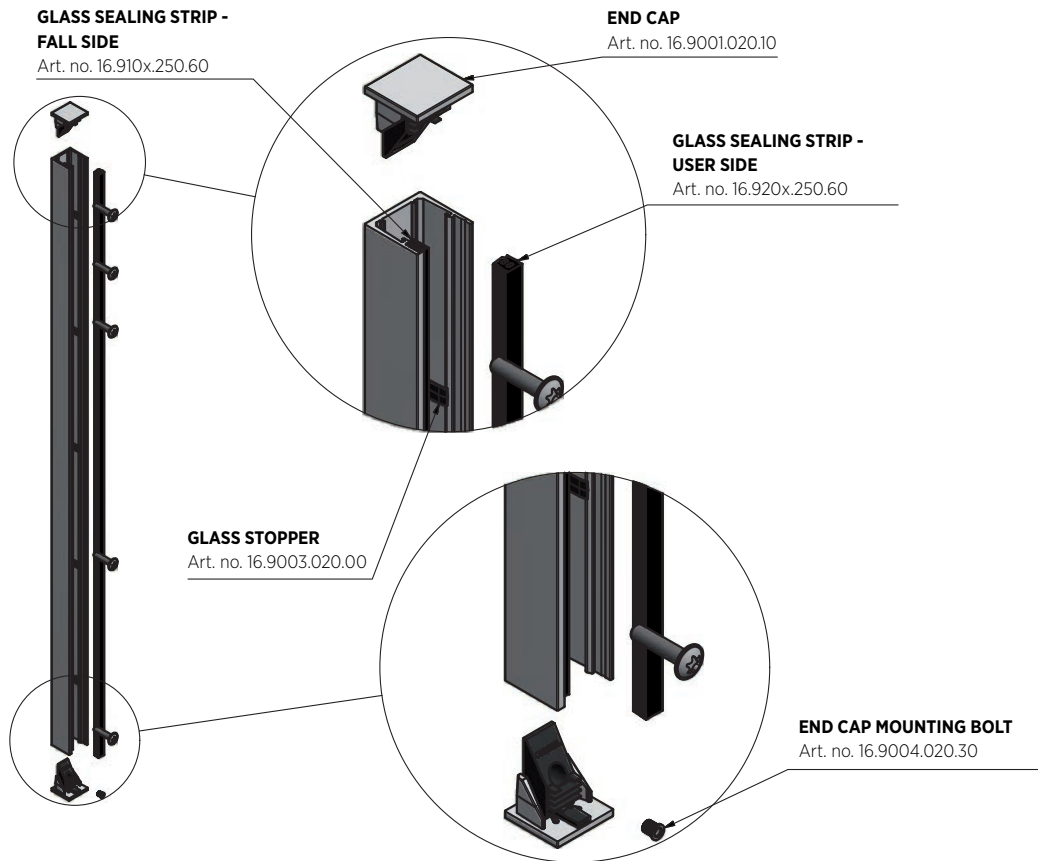
Juliet balcony, end cap, centre

| Fixing screw 91.1140.419.30
| Sales unit: 2 pieces

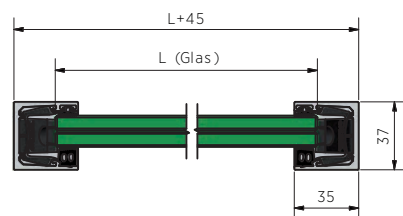
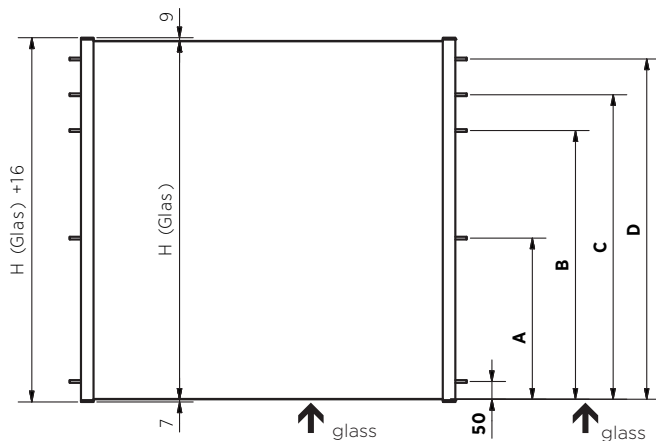


Model SF	Mill finish	Plain aluminium	Coloured
	Art. no.	Art. no.	Art. no.
	16.9001.015.10	16.9001.015.11	16.9001.015.13/16/18

SKYFORCE SIDE MOUNTING



Glass Dimensions Skyforce Side Mounting



Glasheight (H)	900 mm	1000 mm	1100 mm
A	450	500	550
B	650	750	850
C	750	850	950
D	850	950	1050

SKYFORCE SIDE | EXTERIOR MOUNT | PRE-SIZED FINISHED KITS

Surface finish code for your Skyforce order

- .10 Aluminium, mill finish
- .11 Aluminium, anodised
- .13 RAL glossy (minimum order quantity 5 units)
- .16 RAL structured matt (minimum order quantity 5 units)
- .18 RAL matt (minimum order quantity 5 units)
- .16sb RAL structured matt in Stealth Black colour (minimum order quantity 5 units)

Example: You order your 16.1009.010.**16** profile and receive it with “structured matt” surface finish and a colour of your choice. If you’d like to learn more about our colour structures, you can order one of our colour charts – Art. No.: 85.7003.001.00 at info@onlevel.com.

Juliet balcony, 2-part complete set, Revel Mounting



Height	500 mm	700 mm	900 mm	1000 mm	1100 mm	1200 mm
Rubber set for	Art. no.	Art. no.	Art. no.	Art. no.	Art. no.	Art. no.
10 - 11 mm	16.2005.010.10	16.2007.010.10	16.2009.010.10	16.2010.010.10	16.2011.010.10	16.2012.010.10
12 - 13.5 mm	16.2005.012.10	16.2007.012.10	16.2009.012.10	16.2010.012.10	16.2011.012.10	16.2012.012.10
15 mm	16.2005.015.10	16.2007.015.10	16.2009.015.10	16.2010.015.10	16.2011.015.10	16.2012.015.10
16 - 17,5 mm	16.2005.016.10	16.2007.016.10	16.2009.016.10	16.2010.016.10	16.2011.016.10	16.2012.016.10
19 mm	16.2005.019.10	16.2007.019.10	16.2009.019.10	16.2010.019.10	16.2011.019.10	16.2012.019.10
20 - 21.5 mm	16.2005.020.10	16.2007.020.10	16.2009.020.10	16.2010.020.10	16.2011.020.10	16.2012.020.10

SKYFORCE SIDE | EXTERIOR MOUNT | COMPONENTS

Juliet balcony, screw-on profile, left and right, Side Mount



| Sales unit: 1 piece

Model SF	Mill finish	Plain aluminium	Coloured
Length	Art. no.	Art. no.	Art. no.
5000	16.2150.005.10	16.2150.005.11	16.2150.005.13/16/18

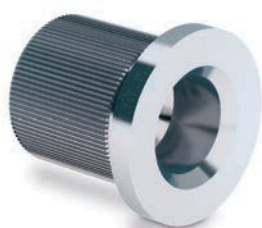
Juliet balcony, Endcap, left and right, Side Mount



| Sales unit: 4 pieces

Model SF	Mill finish	Plain aluminium	Coloured
	Art. no.	Art. no.	Art. no.
	16.9001.020.10	16.9001.020.11	16.9001.020.13/16/18

Juliet balcony, Encap Mounting Bolt



| Sales unit: 10 pieces

Model SF	V4A
	Art. no.
	16.9004.020.30

SKYFORCE SOUND SHIELD

Surface finish code for your Skyforce order

- .10 Aluminium, mill finish
- .11 Aluminium, anodised
- .13 RAL glossy (minimum order quantity 5 units)
- .16 RAL structured matt (minimum order quantity 5 units)
- .18 RAL matt (minimum order quantity 5 units)
- .16sb RAL structured matt in Stealth Black colour (minimum order quantity 5 units)

Example: You order your 16.1009.010.**16** profile and receive it with “structured matt” surface finish and a colour of your choice. If you’d like to learn more about our colour structures, you can order one of our colour charts – Art. No.: 85.7003.001.00 at info@onlevel.com.

Juliet balcony, 2-part complete set, sound insulation



| F***, what a noise! Luckily, there is Soundshield by **ONLEVEL**. Simply mount it in front of your window and enjoy heavenly quiet.

SKYFORCE TOP

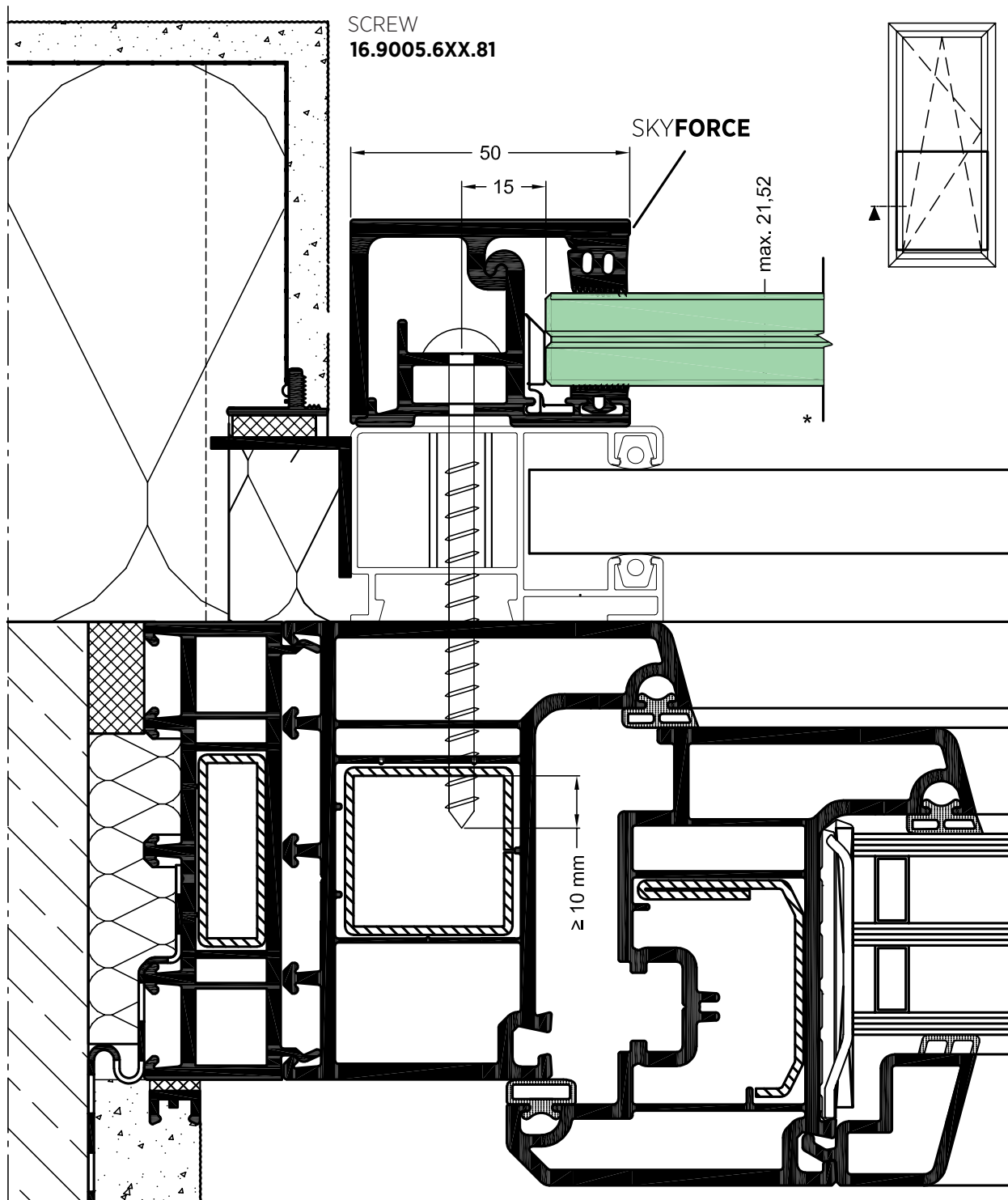
Height	2000 mm	2500 mm	3000 mm
Rubber set for	Art. no.	Art. no.	Art. no.
10 - 11 mm	16.1020.010.xx	16.1025.010.xx	16.1030.010.xx
12 - 13.5 mm	16.1020.012.xx	16.1025.012.xx	16.1030.012.xx
15 mm	16.1020.015.xx	16.1025.015.xx	16.1030.015.xx
16 - 17,5 mm	16.1020.016.xx	16.1025.016.xx	16.1030.016.xx
19 mm	16.1020.019.xx	16.1025.019.xx	16.1030.019.xx
20 - 21.5 mm	16.1020.020.xx	16.1025.020.xx	16.1030.020.xx

SKYFORCE SIDE

Height	2000 mm	2500 mm	3000 mm
Rubber set for	Art. no.	Art. no.	Art. no.
10 - 11 mm	16.2020.010.xx	16.2025.010.xx	16.2030.010.xx
12 - 13.5 mm	16.2020.012.xx	16.2025.012.xx	16.2030.012.xx
15 mm	16.2020.015.xx	16.2025.015.xx	16.2030.015.xx
16 - 17,5 mm	16.2020.016.xx	16.2025.016.xx	16.2030.016.xx
19 mm	16.2020.019.xx	16.2025.019.xx	16.2030.019.xx
20 - 21.5 mm	16.2020.020.xx	16.2025.020.xx	16.2030.020.xx

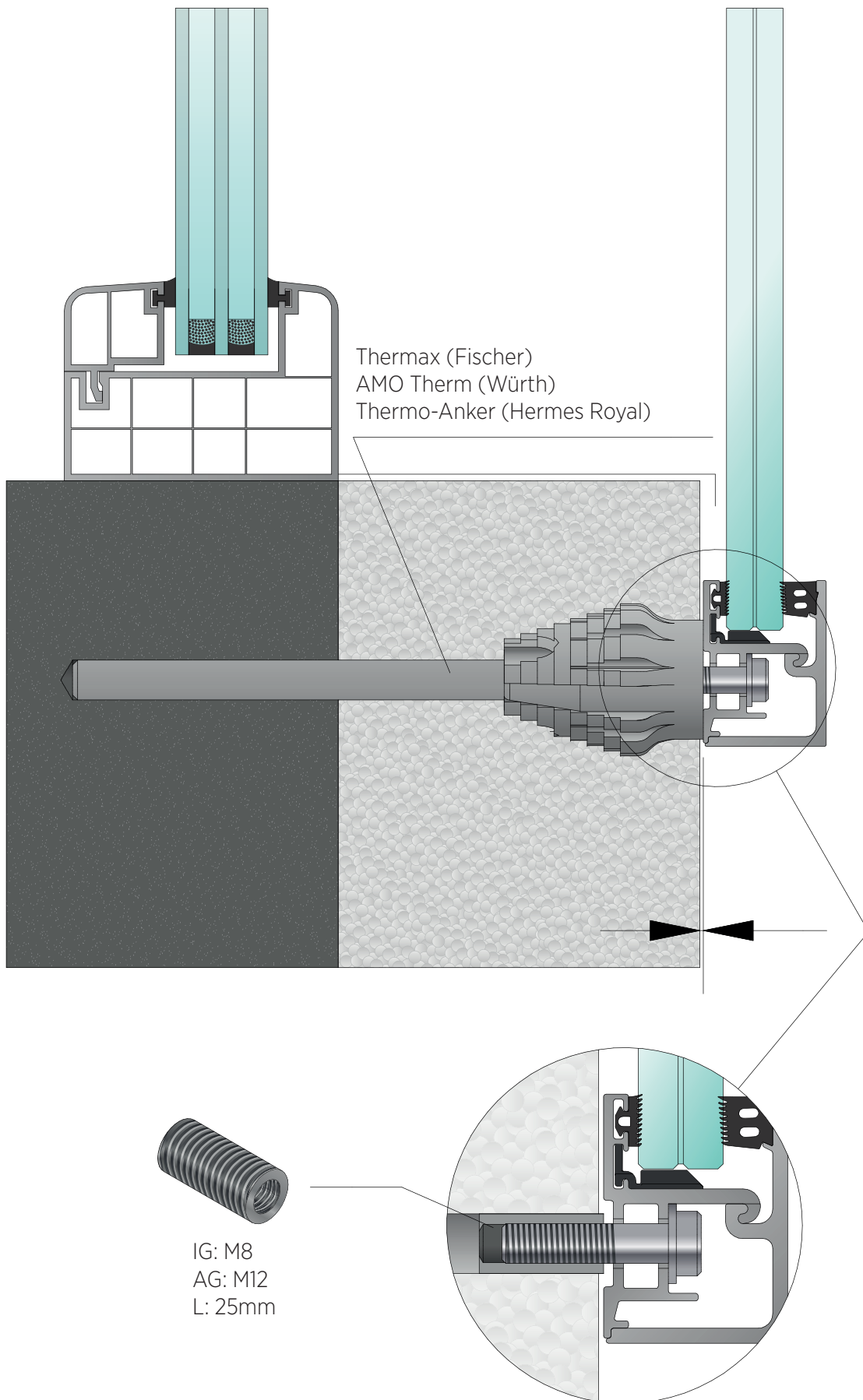
SKYFORCE | INSTALLATION EXAMPLE

Skyforce - Shutter Guide Profile Installation Example

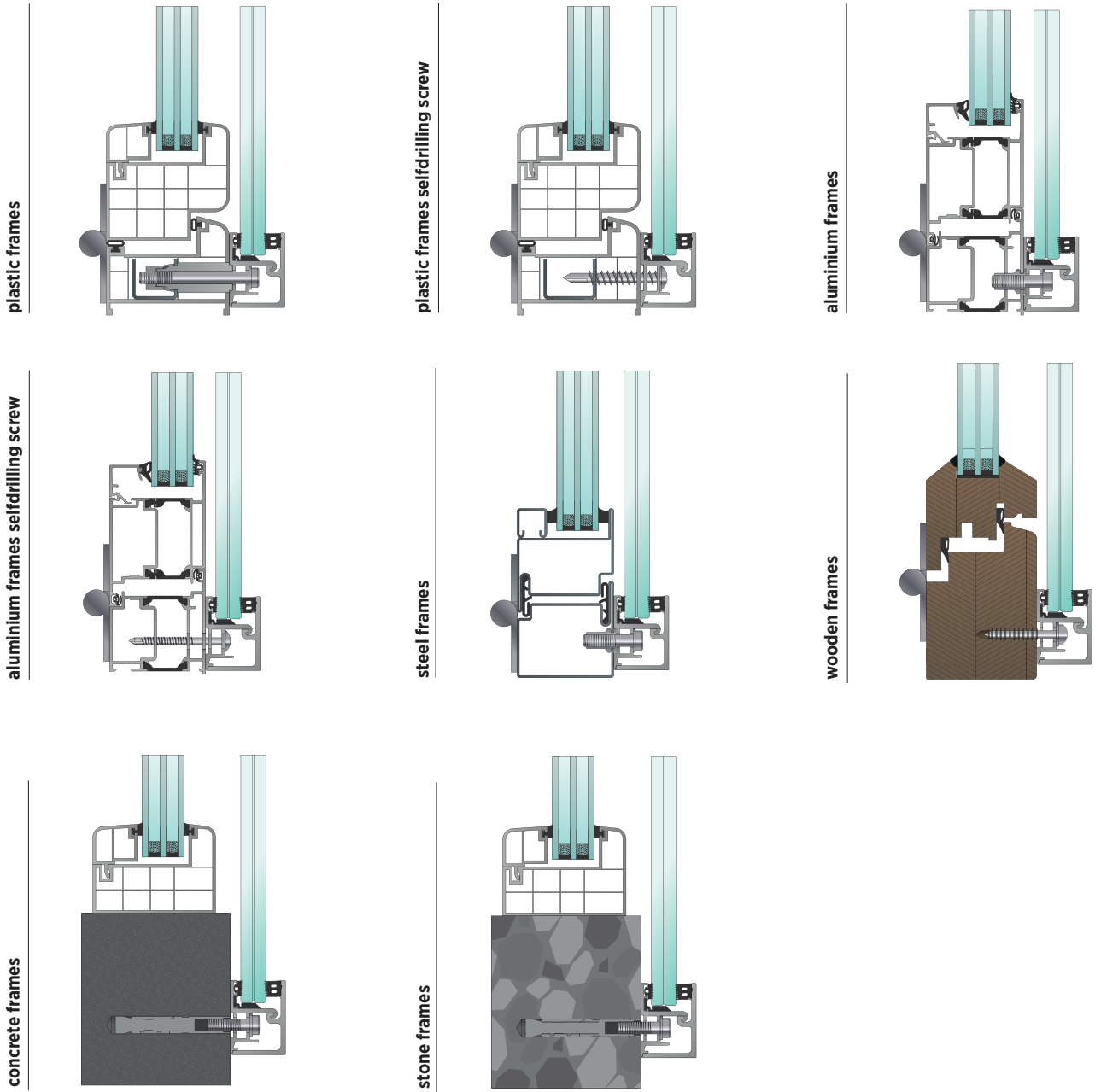


SKYFORCE | INSTALLATION EXAMPLE

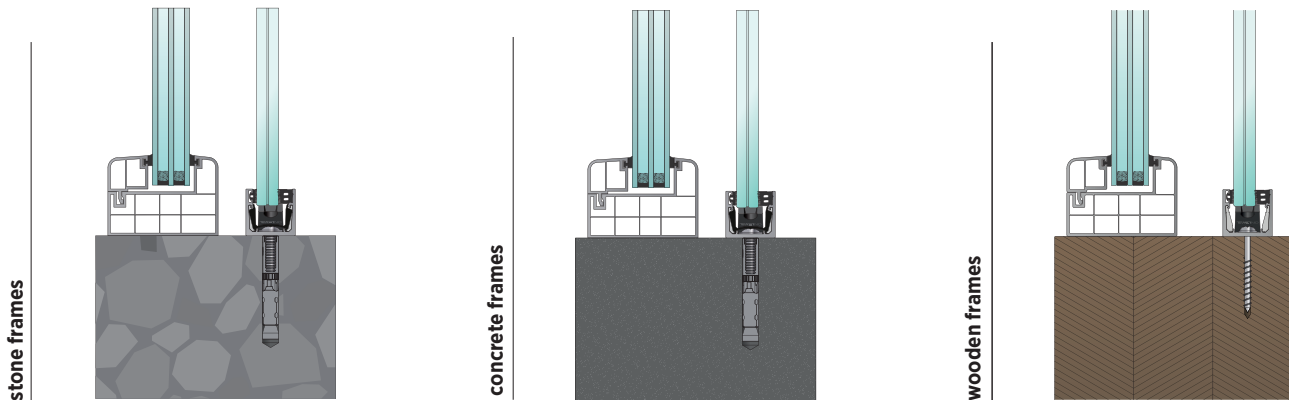
Skyforce - Thermal Insulation Installation Example



Application overview TOP Mount



Application overview SIDE Mount

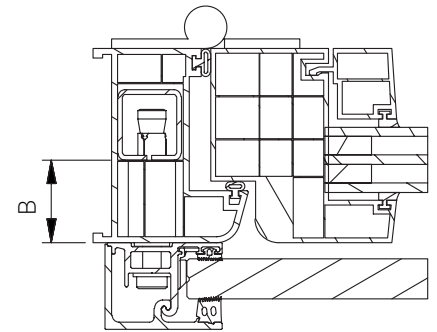


Fixing anchor for plastic frames with steel core, Top Mount

| Finish exterior application: V4A (exterior)
 | Sales unit: 10 pieces



Model 9005	V4A (exterior)
Frame	Art. no.
15 mm	16.9005.815.30
20 mm	16.9005.820.30
25 mm	16.9005.825.30
30 mm	16.9005.830.30
35 mm	16.9005.835.30
40 mm	16.9005.840.30
45 mm	16.9005.845.30

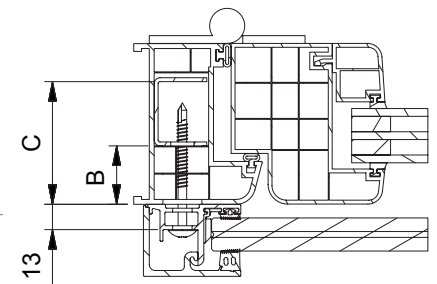


Fixing anchor for plastic frames with steel core selfdrilling, Top Mount

| The screw needs a 1.5 mm steel core in the frame profile
 | Finish exterior application: V4A (exterior)
 | Sales unit: 20 pieces



Model 9005			Steel
Length	B	C (min.)	Art. no.
45 mm	0 - 14 mm	35 mm	19.9005.604.81
55 mm	15 - 24 mm	45 mm	19.9005.605.81
65 mm	25 - 34 mm	55 mm	19.9005.606.81
75 mm	35 - 44 mm	65 mm	19.9005.607.81
85 mm	45 - 54 mm	75 mm	19.9005.608.81
95 mm	55 - 64 mm	85 mm	19.9005.609.81
105 mm	65 - 74 mm	95 mm	19.9005.610.81
125 mm	75 - 94 mm	115 mm	19.9005.612.81
150 mm	95 - 120 mm	140 mm	19.9005.615.81

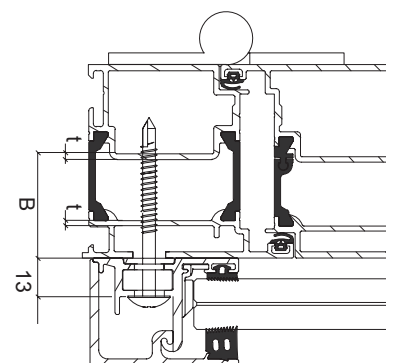


Fixing anchor for plastic frames with steel core selfdrilling, Top Mount

| The screw needs two walls with t total ≥ 3.2 mm
 | Finish exterior application: V4A (exterior)
 | Sales unit: 20 pieces



Model 9005		Steel
Length	B	Art. no.
45 mm	0 - 20mm	16.9005.604.81
55 mm	20 - 30mm	16.9005.605.81
65 mm	30 - 40mm	16.9005.606.81
75 mm	40 - 50mm	16.9005.607.81
85 mm	50 - 60mm	16.9005.608.81
95 mm	60 - 70mm	16.9005.609.81
105 mm	70 - 80mm	16.9005.610.81
125 mm	80 - 100mm	16.9005.612.81
150 mm	100 - 125mm	16.9005.615.81



Fixing anchor for aluminium frames, Top Mount

| Finish exterior application: V4A (exterior)
| Sales unit: 10 pieces



Model 9006	V4A (exterior)
Art. no.	
16.9006.835.30	

Fixing anchor for steel, Top Mount

| Finish exterior application: V4A (exterior)
| Sales unit: 10 pieces



Model 9008	V4A (exterior)
Art. no.	
16.9008.835.30	

Fixing anchor for concrete, Top Mount

| Finish exterior application: V4A (exterior)
| Sales unit: 10 pieces



Model 9009	V4A (exterior)
Art. no.	
16.9009.835.30	

Fixing anchor for stone, Top Mount

| Finish exterior application: V4A (exterior)
| Sales unit: 10 pieces



Model 9010	V4A (exterior)
Art. no.	
16.9010.835.30	

SKYFORCE | FIXING ANCHOR

Fixing anchor for wooden frames, Top and Side Mount

- | Finish exterior application: V4A (exterior)
- | Ø 6x60 mm
- | Sales unit: 10 pieces



Model 9007	V4A (exterior)
Art. no.	
16.9007.850.30	

Fixing anchor for aluminium and steel frames, Side Mount

- | Finish exterior application: V4A (exterior)
- | Sales unit: 10 pieces



Model 1190	V4A (exterior)
Art. no.	
91.1190.812.30	

Fixing anchor for concrete, Side Mount

- | Finish exterior application: V4A (exterior)
- | Sales unit: 10 pieces



Model 9029	V4A (exterior)
Art. no.	
16.9029.835.30	

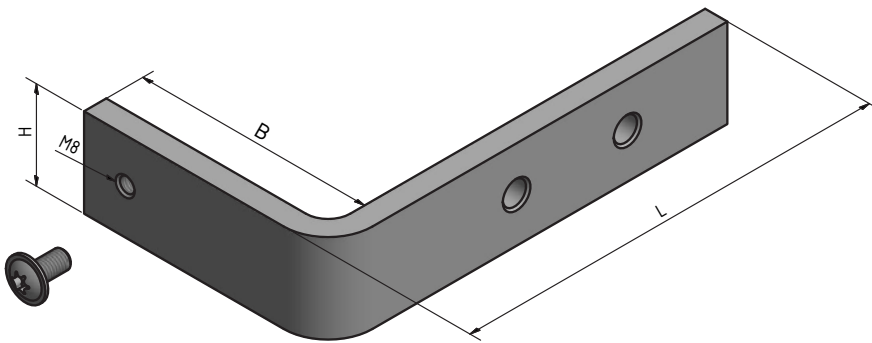
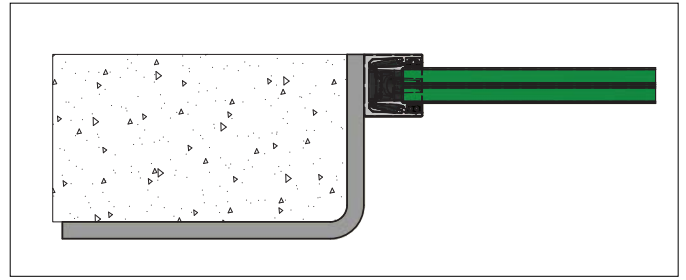
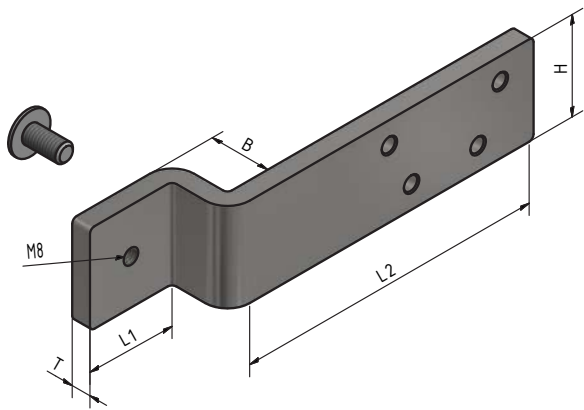
Fixing anchor for stone, Side Mount

- | Finish exterior application: V4A (exterior)
- | Sales unit: 10 pieces

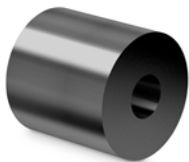


Model 9020	V4A (exterior)
Art. no.	
16.9020.835.30	

Skyforce Side - Aluminium and Steel Installation Example



Distance Sleeve for Fixing Anchor



- | Diameter: 16 mm
- | Surface finish: Aluminium black anodised
- | Sales unit: 10 pieces

Model 9320	aluminium
Length	Art. no.
10.5 mm	16.9320.010.15
16 mm	16.9320.016.15
20.5 mm	16.9320.020.15

Assembly tool Skyforce



- | Mounting aid for rubber seal
- | Sales unit: 1 piece

Model 0100	
	Art. no.
	90.0100.105.00

Boor Stopper Skyforce



| For drill diameters Ø 4 - 10 mm
| Sales unit: 1 piece

Model 0100	Art. no.
	90.0100.106.00

Rivet Tool Skyforce



| Lever riveting tools for Skyforce blind rivets
| Sales unit: 1 piece

Model 0100	Art. no.
	90.0100.140.00

Edge protection, self-adhesive, V4A brushed



| Height 6 mm
| Thickness 1 mm
| Compatible with PVB films
| Sales unit: 1 piece

Model 2111		Length 1000 mm	Length 1500 mm	Length 2000 mm	Length 4000 mm
Width	for glass thickness	Art. no.	Art. no.	Art. no.	Art. no.
14	10,76 - 11,52 mm	12.2111.141.31	12.2110.141.31	12.2112.141.31	12.2114.141.31
16	12,76 - 13,52 mm	12.2111.161.31	12.2110.161.31	12.2112.161.31	12.2114.161.31
20	16,76 - 17,52 mm	12.2111.201.31	12.2110.201.31	12.2112.201.31	12.2114.201.31
24	20,76 - 21,52 mm	12.2111.241.31	12.2110.241.31	12.2112.241.31	12.2114.241.31
28	25 - 25,52 mm	12.2111.281.31	12.2110.281.31	12.2112.281.31	12.2114.281.31

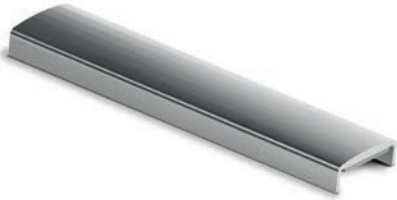
Edge protection, self-adhesive, aluminium mill finish



| Height 7 mm
| Thickness 1 mm
| Compatible with PVB films
| Sales unit: 1 piece

Model 2111		Length 1000 mm	Length 1500 mm	Length 2000 mm	Length 4000 mm
Width	for glass thickness	Art. no.	Art. no.	Art. no.	Art. no.
14	10,76 - 11,52 mm	11.2111.141.10	11.2110.141.10	11.2112.141.10	11.2114.141.10
16	12,76 - 13,52 mm	11.2111.161.10	11.2110.161.10	11.2112.161.10	11.2114.161.10
20	16,76 - 17,52 mm	11.2111.201.10	11.2110.201.10	11.2112.201.10	11.2114.201.10
24	20,76 - 21,52 mm	11.2111.241.10	11.2110.241.10	11.2112.241.10	11.2114.241.10
28	25 - 25,52 mm	11.2111.281.10	11.2110.281.10	11.2112.281.10	11.2114.281.10

Edge protection, self-adhesive, aluminium plain



| Height 7 mm
| Thickness 1 mm
| Compatible with PVB films
| Sales unit: 1 piece

Model 2111		Length 1000 mm	Length 1500 mm	Length 2000 mm	Length 4000 mm
Width	for glass thickness	Art. no.	Art. no.	Art. no.	Art. no.
14	10,76 - 11,52 mm	11.2111.141.11	11.2110.141.11	11.2112.141.11	11.2114.141.11
16	12,76 - 13,52 mm	11.2111.161.11	11.2110.161.11	11.2112.161.11	11.2114.161.11
20	16,76 - 17,52 mm	11.2111.201.11	11.2110.201.11	11.2112.201.11	11.2114.201.11
24	20,76 - 21,52 mm	11.2111.241.11	11.2110.241.11	11.2112.241.11	11.2114.241.11
28	25 - 25,52 mm	11.2111.281.11	11.2110.281.11	11.2112.281.11	11.2114.281.11

Edge protection, self-adhesive, aluminium RAL



| Height 7 mm
| Thickness 1 mm
| Compatible with PVB films
| Sales unit: 1 piece, Minimum order quantity 5 units

Model 2111		Length 1000 mm	Length 1500 mm	Length 2000 mm	Length 4000 mm
Width	for glass thickness	Art. no.	Art. no.	Art. no.	Art. no.
14	10,76 - 11,52 mm	11.2111.141.13/16/18	11.2110.141.13/16/18	11.2112.141.13/16/18	11.2114.141.13/16/18
16	12,76 - 13,52 mm	11.2111.161.13/16/18	11.2110.161.13/16/18	11.2112.161.13/16/18	11.2114.161.13/16/18
20	16,76 - 17,52 mm	11.2111.201.13/16/18	11.2110.201.13/16/18	11.2112.201.13/16/18	11.2114.201.13/16/18
24	20,76 - 21,52 mm	11.2111.241.13/16/18	11.2110.241.13/16/18	11.2112.241.13/16/18	11.2114.241.13/16/18
28	25 - 25,52 mm	11.2111.281.13/16/18	11.2110.281.13/16/18	11.2112.281.13/16/18	11.2114.281.13/16/18

90° Edge protection, self-adhesive



| Height 7 mm
| Thickness 1 mm
| Compatible with PVB films
| Sales unit: 1 piece

Model 2110		Mill finish	Plain aluminium	RAL Coloured
Width	for glass thickness	Art. no.	Art. no.	Art. no.
14	10,76 - 11,52 mm	11.2210.141.10	11.2210.141.11	11.2210.141.13/16/18
16	12,76 - 13,52 mm	11.2210.161.10	11.2210.161.11	11.2210.161.13/16/18
20	16,76 - 17,52 mm	11.2210.201.10	11.2210.201.11	11.2210.201.13/16/18
24	20,76 - 21,52 mm	11.2210.241.10	11.2210.241.11	11.2210.241.13/16/18
28	24 - 25,52 mm	11.2210.281.10	11.2210.281.11	11.2210.281.13/16/18

Juliet balcony, glass supports, Top Mount



| Accessorie for Top Mount
| Sales unit: 50 pieces

Model 9002	Plastic
Art. no.	
16.9002.000.60	

Juliet balcony, glass stopper, Top Mount



| Accessorie for Top Mount
| Sales unit: 100 pieces

Model 9003	Plastic
Art. no.	
16.9003.000.00	

Juliet balcony, glass stopper, Side Mount



| Accessorie for Side Mount
| Sales unit: 50 pieces

Model 9003	Plastic
Art. no.	
16.9003.000.00	

Glass sealing strip, Top and Side Mount



| For glass thickness 10 - 15 mm
| Sales unit: 81 pieces

Model 9102	Plastic
Length	Art. no.
25 mtr	16.9102.250.60

Glass sealing strip, Top and Side Mount

| For glass thickness 16 - 21,5 mm
| Sales unit: 81 pieces



Model 9101	Plastic
Length	Art. no.
25 mtr	16.9101.250.60

Glass sealing strip, Top and Side Mount

| For glass thickness 10 / 10,76 mm / 11,52 mm
| Sales unit: 1 piece



Model 9204	Plastic
Length	Art. no.
25 mtr	16.9204.250.60

Glass sealing strip, Top and Side Mount

| For glass thickness 12 / 12,76 / 13,52 / 19 mm
| Sales unit: 1 piece



Model 9202	Plastic
Length	Art. no.
25 mtr	16.9202.250.60

Glass sealing strip, Top and Side Mount

| For glass thickness 16.76 / 17,52 mm
| Sales unit: 1 piece



Model 9203	Plastic
Length	Art. no.
25 mtr	16.9203.250.60

Glass sealing strip, Top and Side Mount

| For glass thickness 15 / 20,76 / 21,52 mm
| Sales unit: 1 piece



Model 9201	Plastic
Length	Art. no.
25 mtr	16.9201.250.60

WATCH THE SKYFORCE
MOUNTING VIDEO ONLINE!



ONLEVEL

8, Alexandria Court
Ashton Commerce Park
Ashton-under-Lyne
Lancashire OL7 0QN
United Kingdom

T +44 0161 804 9500
F +44 0161 804 9505

info@onlevel.com
www.onlevel.com