



Awning System

markilux markant

The free-standing textile sun and wet weather protection system in a purist design.



markilux.com

markilux
safe timeless beautiful

01
02
03
04
05

Product characteristics

Wind resistance class 3
Beaufort 6 → 10.5–13.4 m/s | 38–48 km/h | 24–30 mph



1 Wall fixture to one side with wall sealing profile ¹⁾



2 Water drainage through the centre of the fabric in the direction of extension



3 Asymmetrical or symmetrical footplates ¹⁾, with water drainage



4 Installation below ground – water drainage below ¹⁾ or above ground ¹⁾



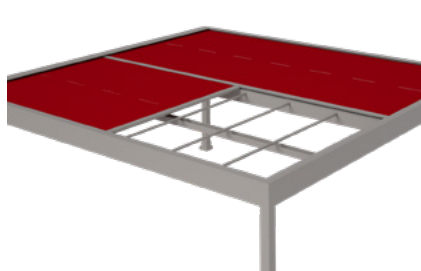
5 The inside of the frame system can be cleaned with ease



6 Cover support profiles



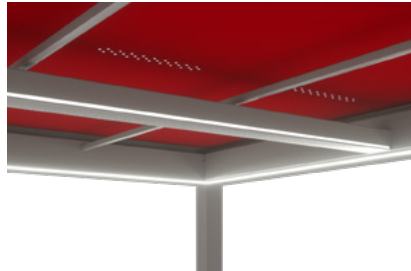
7 The fields can be extended independently of one another (2-field unit)



8 Combination with markilux 625 tracfix and markilux 776 tracfix ¹⁾



9 LED line in the frame and / or in the gutter ¹⁾



10 LED-Spots attached to the gutter ¹⁾



11 Integrated markilux infrared heater ¹⁾



12 Radio-controlled motor io with markilux hand-held transmitter



1) optional configuration

Product characteristics

Description

- quadratically shaped sun and wet weather awning protection system – free-standing or with wall fixture to one side
- the integrated single or double awning unit lends the system a unique textile character
- rainwater is drained through the specially manufactured cover into a gutter which runs down the centre of each awning
- areas up to 3 × 6 m can be protected with one panel of fabric or 6 × 6 m with two panels

Special features

- radio-controlled motor in io technology as standard
- in a 2-field unit, each awning can always be operated independently
- the tried and tested tensioning system – with drive belts and integrated gas pistons
- with tracfix system, the lateral cover guidance system that leaves no gap between cover and guide tracks
- cover support profiles, aligned across the awning (removable as required) for even greater stability
- the awning cover is bonded with stabilising vertical panel joints – in the case of the sunvas / sunsilk / perla / perla FR series the standard panel width is 120 cm (sunvas oversized fabric material is used seamlessly up to a post centre to centre separation in the width of 250 cm)
- rainwater is drained through holes in the material into a gutter which runs centrally down the awning
- water is guided through the gutter integrated into the frame via the posts to the ground
- posts optionally with water drainage above ground to the side or water drainage below ground
- numerous lighting and heating options
- can be combined perfectly with the vertical blinds markilux 625 tracfix and 776 tracfix (the latter optionally with panorama window) to create a modern, interior design – outdoors

Dimensions

- 1 field, 1 motor: width 213.5-312.5 cm. extension maximum 612.5 cm
- 2 fields 2 motors: total width 313.5-612.5 cm, extension maximum 612.5 cm, field widths always symmetrical
- total height standard 260 cm, minimum 64 cm – maximum 350 cm

Awning profiles

- extruded aluminium, in façade quality, powder coated
- square post profile 125 × 125 mm with integrated cable ducts, very easily accessible
- the frame is visually square in appearance, height 260 mm

Corner joints

- corner joints of the frame made of die-cast aluminium, covers made of extruded aluminium, powder coated
- the sophisticated design ensures easy access to and maintenance of the front profile of the frame

Post footplates

- the post feet can be adjusted by 120 mm in height to allow the system to be levelled
- asymmetrical footplate covers as standard, 201 × 201 mm, made of die-cast aluminium, powder coated
- symmetrical footplate covers are available, 270 × 270 mm, made of die-cast aluminium, powder coated
- optionally without footplate cover for installation below ground
- optionally with adapter plates for Krinner screw-in foundations

Use in wind, rain and snow

- the awning must be retracted at wind speeds of more than 48 km/h / 30 mph. Gusts of wind can the fabric cover to hit the cover support profiles / rain gutter and thus generate noise. As a result, draining water may miss the gutter. The awning system must be retracted in gusty wind conditions
- the awning can be used in rain up to performance class 2 (56 l/m² per hour) according to EN 13561. This falls within the parameters of “normal” rainfall. In the case of heavy rainfall the awning must be retracted
- snow must not be allowed to load the system

N.B! For installation we recommend the use of two electric lifts. E.g. “Tragbarer Markisen Lift Upter CM 340”, load capacity 120 kg / height ceiling 3.3 m by KeM.Tech www.kemtech-ksf.com. For additional information and configuration options, please refer to the section “General Information” and “markilux Optional Accessories” in the volume “Designer Blinds for Windows | Glass Canopy Awnings”.

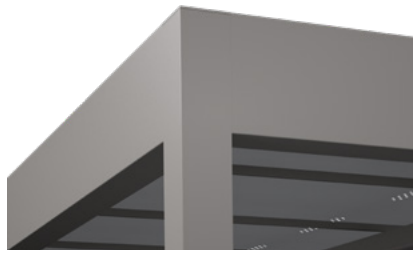
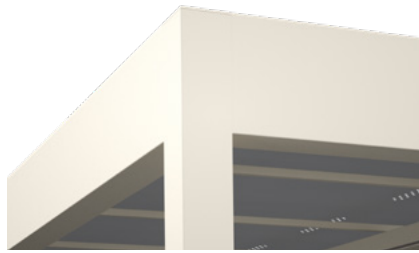
01 **Frame colours**

02 markilux awning colours without surcharge

03 traffic white, RAL 9016

metallic aluminium, RAL 9006

grey brown, similar to RAL 8019

05 off-white textured finish, 5233 ¹⁾stone grey metallic, 5215 ¹⁾anthracite metallic, 5204 ¹⁾Havana brown textured finish, 5229 ¹⁾

Colours may differ slightly from those depicted in both hue and finish.

1) textured finish

Dimensions and configuration options

		SAM M			
		300	400	500	600
SAM H	300	201-300			
	400	301-400			
	500	401-500			
	600	501-600			

Order dimensions	300	400	500	600
	201	301	401	501
	300	400	500	600

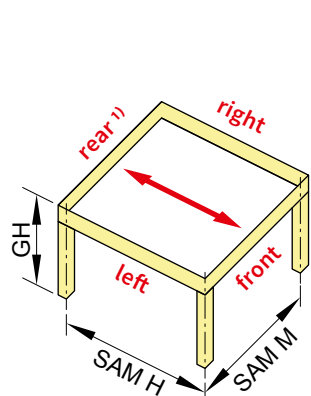
dimensions in cm

= 1 field
 = 2 fields

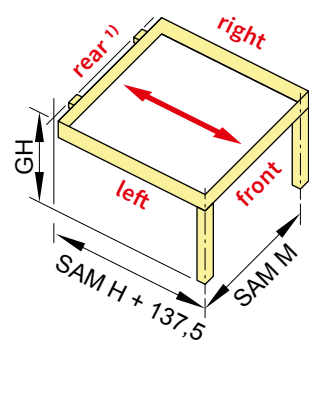
01
02
03
04
05

markilux markant 1 field

free-standing

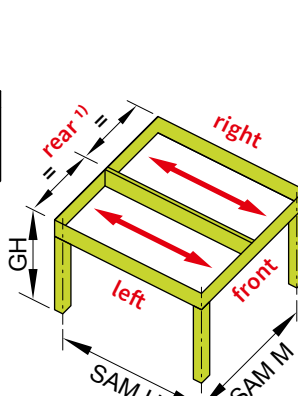


with wall fixture

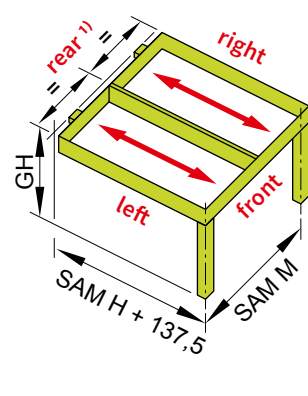


markilux markant 2 fields

free-standing



with wall fixture



dimensions in mm

GH = order dimension = overall height (standard = 260 cm; min. 64 cm - max. 350 cm)

SAM H = order dimension = centre to centre post separation in the direction of extension

SAM M = order dimension = centre to centre post separation in the width

1) Cable exit optionally on the left or right post footplate at the rear, cable exit at the front on request

Operation	standard	optional	Awning cover	fabric range no.	standard	optional
manual operation	—	—	sunvas	301.. / 309..-315..	✓	—
hard-wired motor	—	—	perla	370 ..	✓	—
silentec motor (optionally with an external io / RTS receiver)	—	—	sunsilk	324.. / 325.. / 328.. / 369..	✓	—
radio-controlled motor io, 868 MHz	✓	—	perla FR	374.. / 375..	✓	—
radio-controlled motor RTS, 433 MHz	—	—	perfotex	331.. / 332..	—	—
radio-controlled motor RTS, 433 MHz with manual override	—	—	transolair	338.. / 339..	—	—
			vuscreen Alu	317..	—	—
			Soltis Perform 92	92-20..	—	—
			glass fibre screen	272..	—	—

Control options of lighting / heating	standard	optional
on / off switch	—	—
radio-controlled dimmer io 868 MHz	✓	—
radio-controlled dimmer RTS, 433 MHz	—	—

Coupled awning system

not available

Optional accessories

- LED-Line all around in the frame profile
- LED-Line in the rain gutter ²⁾
- LED-Spots attached to the rain gutter ²⁾
- infrared heater 2500 W, dimmable in 3 stages with integrated radio-controlled receiver, 868 MHz io ²⁾
- Combination with vertical blinds

Further accessories can be found in the chapter "markilux construct".

2) for configuration please view the section "Lighting and heating options"

01

Lighting and heating options

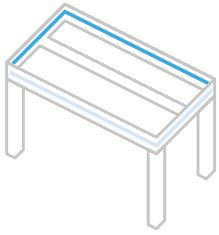
02

markant 1 field 1 motor, free-standing or with wall fixture to one side (illustration by way of example)

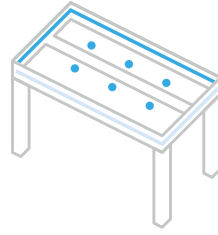
03

04

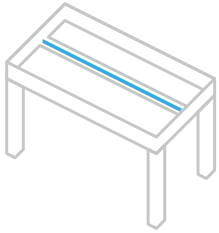
05



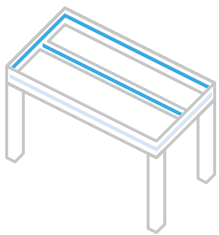
Variant 1:
LED-Line in the frame



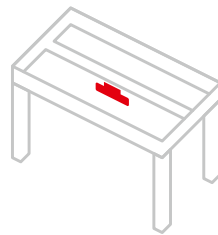
Variant 5:
LED-Line in the frame
and LED spotlights fitted to the
gutter



Variant 2:
LED-Line in the gutter

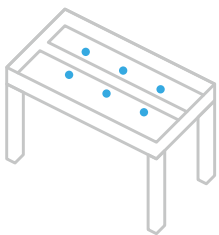


Variant 3:
LED-Line in the frame
and LED-Line in the gutter

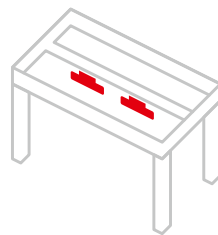


Variant 6:
1 infrared heater
below the front gutter

Can be combined with
variant 1



Variant 4:
LED spotlights fitted to the
gutter



Variant 7 1):
2 infrared heaters
below the gutter

can be combined with
variant 1

Controls

- LED-Line in the frame – can only be switched and dimmed all around at the same time
 - LED-Line in / LED-Spots fitted to the gutter – can only be switched and dimmed together (1 field and 2 fields)
 - Infrared heaters – can be dimmed and switched individually
 - **N.B!** Heaters cannot be added at a later stage.
- 1)** Recommended when the centre to centre post separation in the direction of awning extension is > 400 cm.

Lighting and heating options

markant 2 fields 2 motors, free-standing or with wall fixture to one side (illustration by way of example)

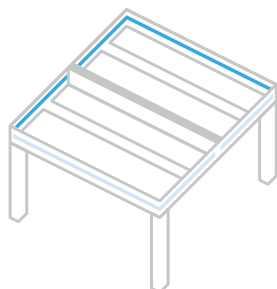
01

02

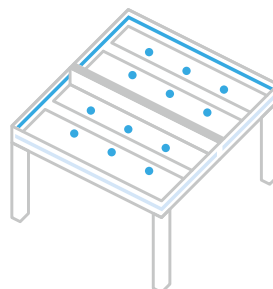
03

04

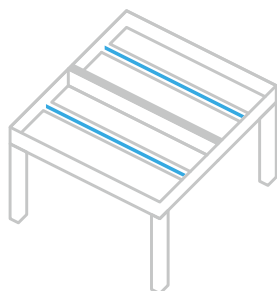
05



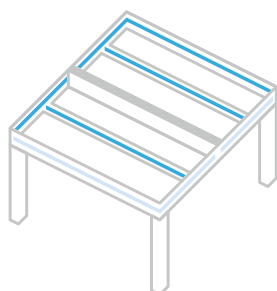
Variant 1:
LED-Line in the frame



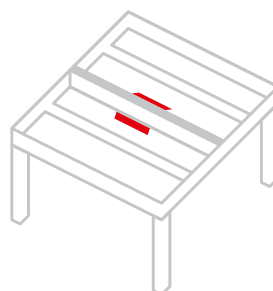
Variant 5:
LED-Line in the frame
and LED spotlights fitted to
the gutters



Variant 2:
LED-Line in the gutters

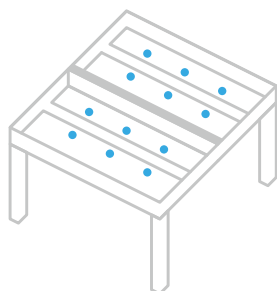


Variant 3:
LED-Line in the frame
and LED-Line in the gutters

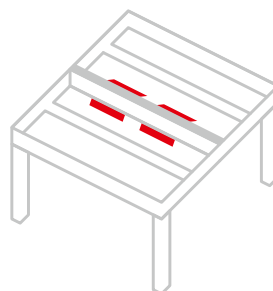


Variant 6:
2 infrared heaters
fitted to the coupling profile

can be combined with
variants 1, 2, 3, 4, 5



Variant 4:
LED spotlights fitted to the
gutters



Variant 7 ¹⁾:
4 infrared heaters
fitted to the coupling profile

can be combined with
variants 1, 2, 3, 4, 5

Controls

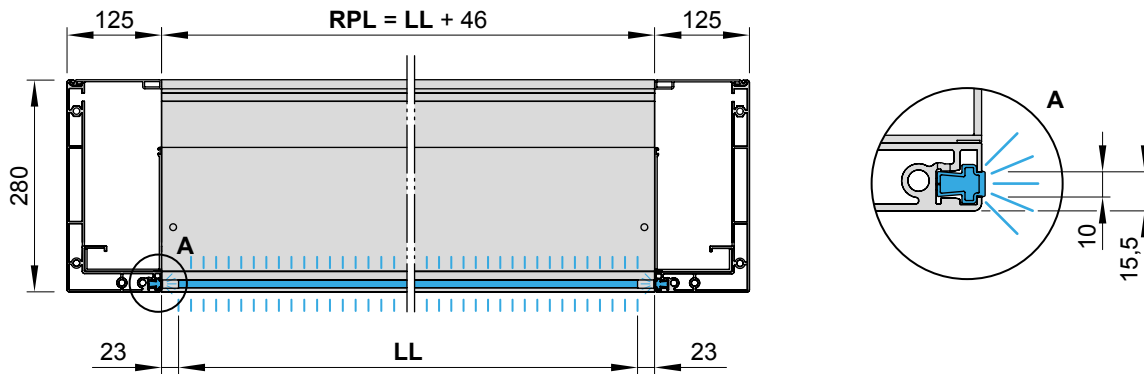
- LED-Line in the frame – can only be switched and dimmed all around at the same time
- LED-Line in / LED-Spots fitted to the gutter – can only be switched and dimmed together (1 field and 2 fields)
- Infrared heaters – can be dimmed and switched individually
- **N.B!** Heaters cannot be added at a later stage.

1) Recommended when the centre to centre post separation in the direction of awning extension is > 400 cm.

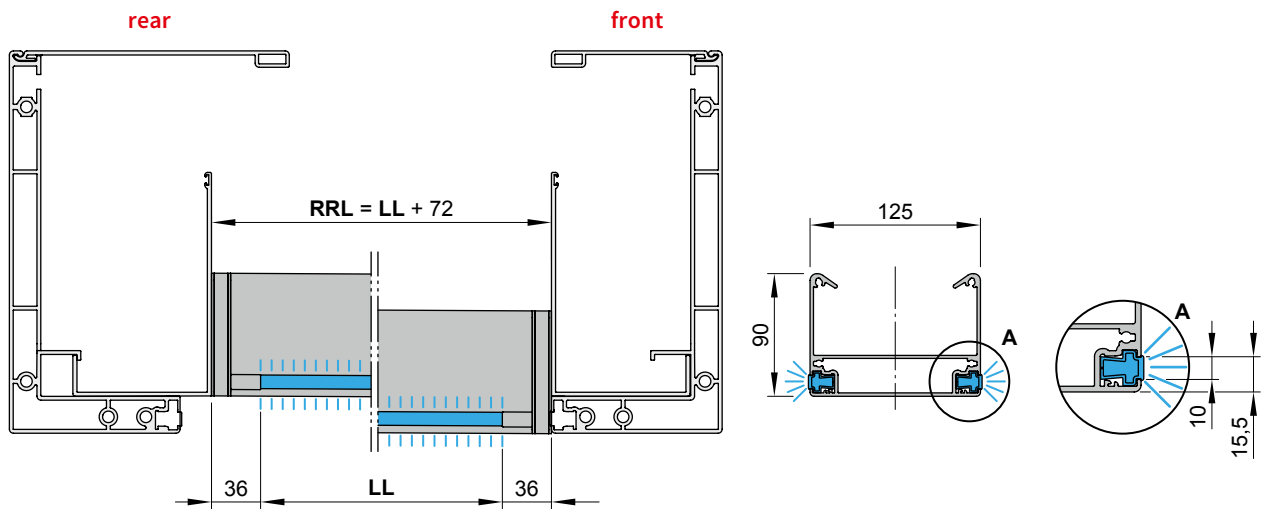
01
02
03
04
05

Lighting options LED-Line

LED-Line in the frame, all around

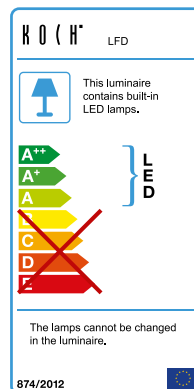


LED-Line in the gutter, on both sides



Technical specification

operating voltage	230 V, 50 Hz
power output per metre	9 W / metre
number of LEDs per metre	90 LEDs / metre
number of transformers	1 unit
light temperature	2700 K
IP protection class	IP 44
service life	approx. 15,000 h



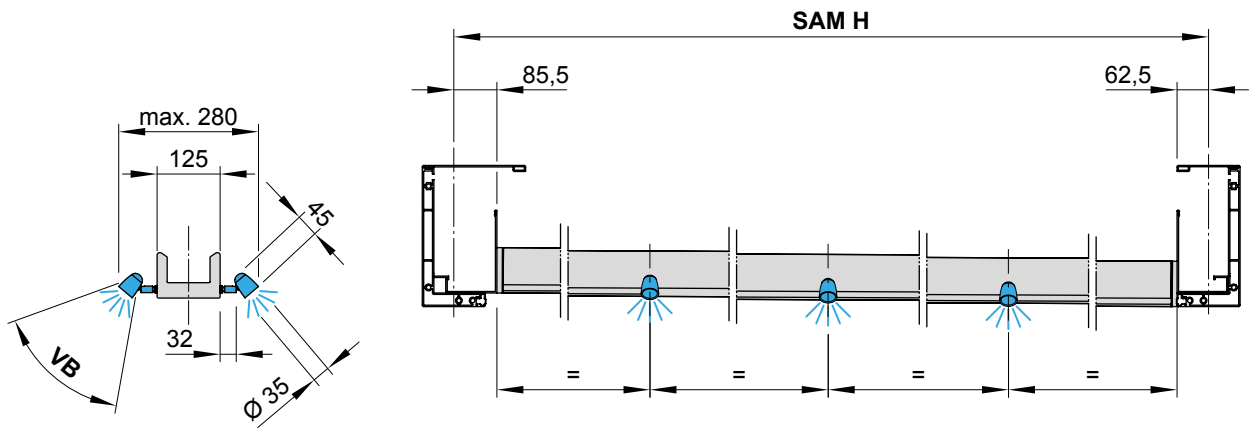
LL = LED-Line length
RPL = frame profile length
RRL = front gutter length

dimensions in mm

Lighting options LED-Spots

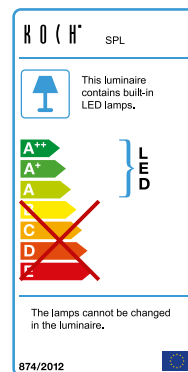
LED-Spots fitted to the gutter, on both sides

01
02
03
04
05



Technical specification

operating voltage	230 V, 50 Hz
power output of an LED spotlight	5 W
light source	LED (12 V)
number of transformers	1 unit
light temperature	2700 K
IP protection class	IP 44
service life	approx. 20,000 h



SAM H = *order dimension* = centre to centre post separation in the direction of extension

VB = adjustment range

dimensions in mm

01
02
03
04
05

markilux infrared heater 2500 w

Dimmable in 3 stages with integrated radio-controlled receiver 868 MHz io



Special features

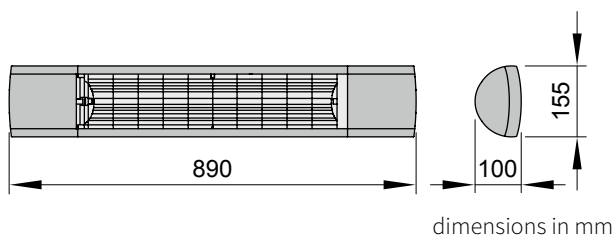
- Soft start function with reduced start-up current
- Cooling fins on the back prevent excessive heating of the mounting surface
- The asymmetrical reflector gives optimum heat distribution
- The infrared halogen lamp with Ultra Low Glare heating tube technology ensures minimum glare and a pleasant light temperature
- Minimum installation height 1.8 m

markilux infrared heaters offer an optimum of warmth with pleasant infrared heat – conducive to a comfortable outdoor living experience. The low glare technology converts the power input into a maximum of heat and a minimum of light output. Infrared heaters are perfect leisure time companions for the garden, terrace, balcony and under an awning. They are efficient, energy-saving and create a warm atmosphere at the touch of a button.

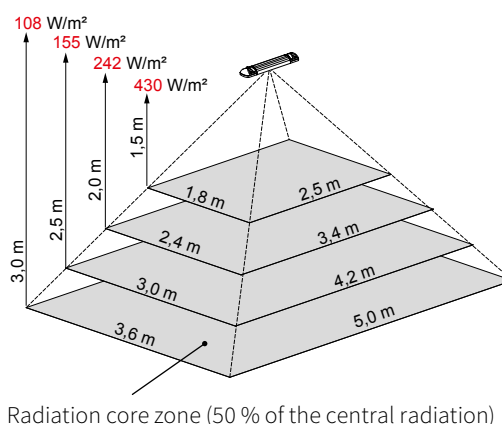
Technical specification

Power supply	230 V, 50 Hz, 16 A
Power supply wire cross section	H05SS-F2G 3 × 1.5 mm ²
Power output (per heater)	2500 Watts
Length × depth × height	890 × 100 × 155 mm

Overview of dimensions



The maximum radiation intensity of the 2500 W infrared heater



Power supply

Recommendations for radio-controlled io motor / lighting / infrared heater

All cables only ever exit at the base of one post (state when ordering). The wire cross-section for the power connection to VAC 50 Hz are recommendations and can also be chosen larger as long as they fit the plugs / sockets.

Connection only to a VDE-certified 230 V / AC connection, which

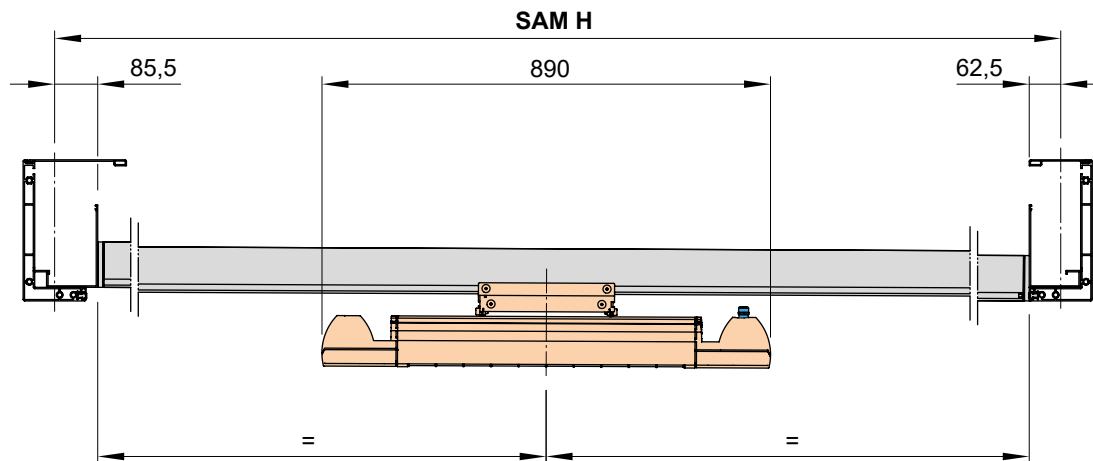
must be protected by an RCCB. For an infrared heater, the house installation for the power supply must be protected by a circuit breaker of at least 16 A with higher inrush current (trigger characteristic C).

Connection for	Number of wire cores	Number of cores × wiring cross section
Motor for 1 field	1	3 × 1.5 mm ²
	1	5 × 1.5 mm ²
	2	3 × 1.5 mm ²
LED-Line frame	1	3 × 1.5 mm ²
LED line / LED spotlights rain gutter	1	3 × 1.5 mm ²
Infrared heater (each)	1	

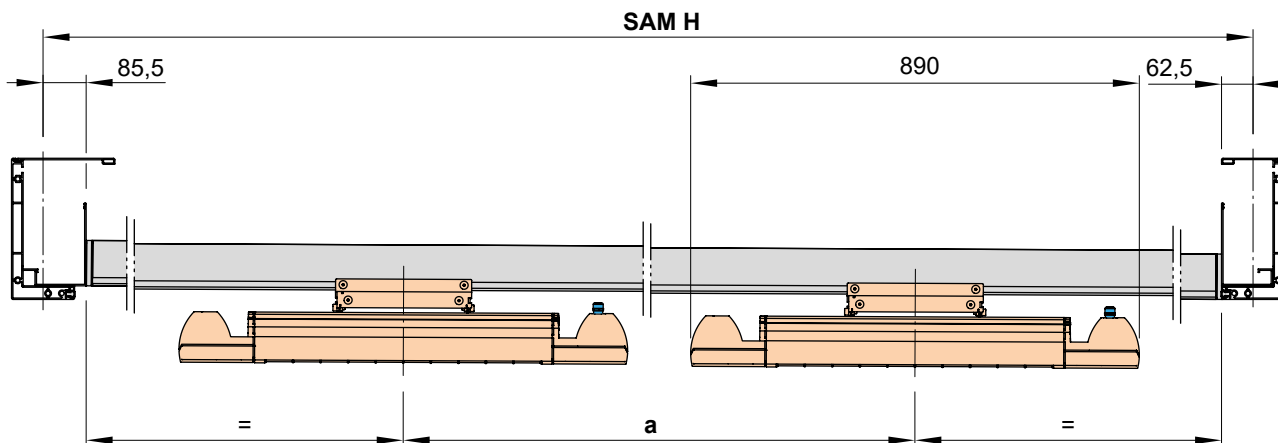
Power connection type →	Permanent	Flexible	
Cable description →	NYJ-J Ground cable for the permanent installation <ul style="list-style-type: none"> • indoors • outdoors • under the ground • in concrete 	NYM-J Plastic-insulated sheathed cable <ul style="list-style-type: none"> • for the permanent installation below / in / on top of plaster in dry or humid rooms. • permitted outdoors only with additional protective tube • not permitted for installation under the ground. 	H07RN-F Flexible rubber-sheathed cable <ul style="list-style-type: none"> • for outdoor use • for connection to a junction box on a building.

Heating options, 1 field unit

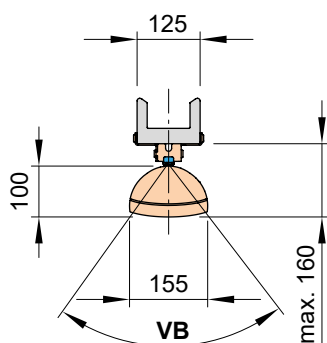
1 infrared heater fitted to the gutter



2 infrared heaters fitted to the gutter



Front view



Distance between infrared heaters

SAM H	a
up to 4000	— (one heater)
4000 – 4500	1900
4501 – 5000	2100
5001 – 5500	2300
5501 – 6000	2500

a = distance between infrared heaters

SAM H = order dimension = centre to centre post separation in the direction of extension

VB = adjustment range

dimensions in mm

01 Heating options, 2 field system

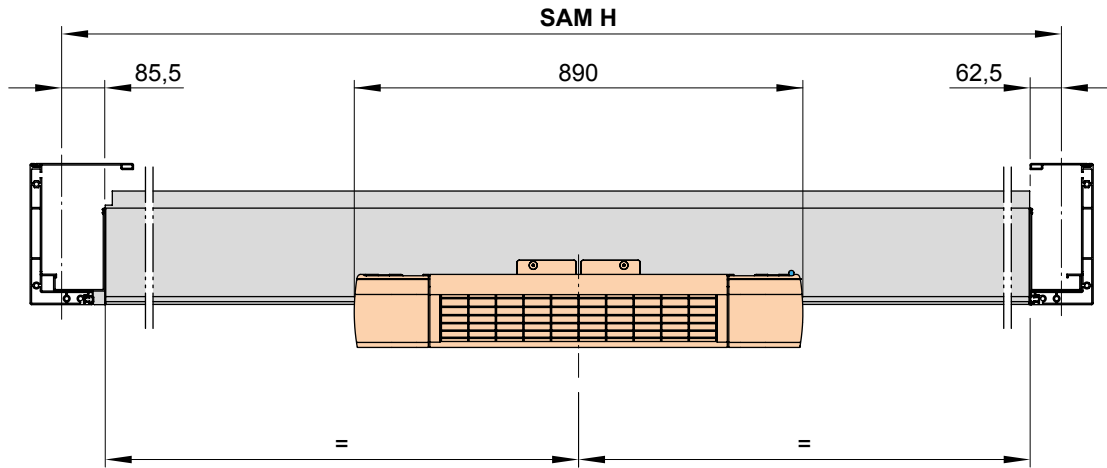
02 2 infrared heaters fitted to the coupling profile

03

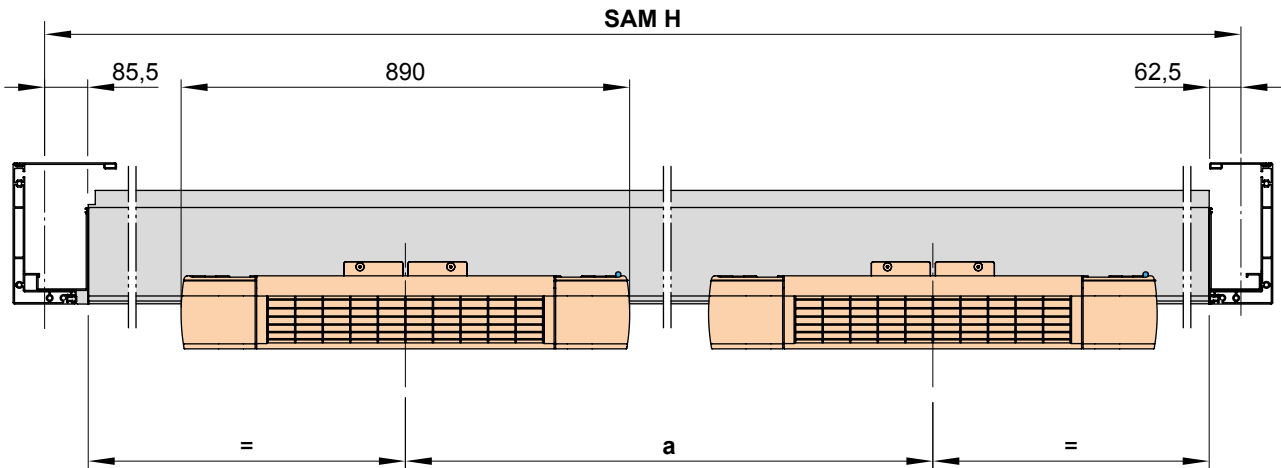
04

05

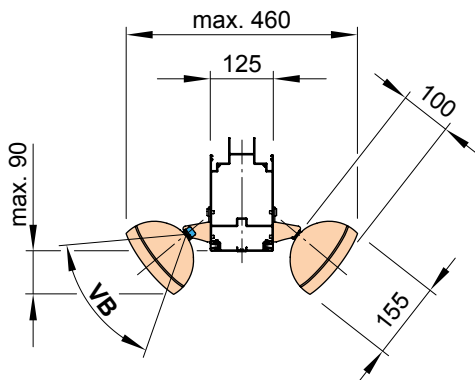
05



4 infrared heaters fitted to the coupling profile



Front view



Distance between infrared heaters

SAM H	a
up to 4000	— (one heater per field)
4000 – 4500	1900
4501 – 5000	2100
5001 – 5500	2300
5501 – 6000	2500

a = distance between infrared heaters

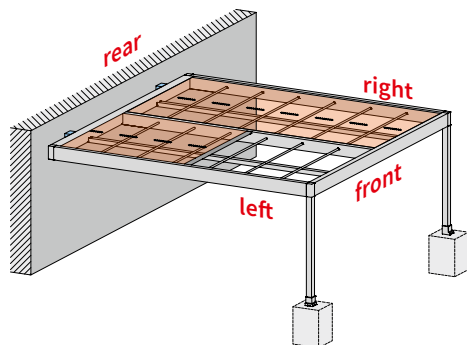
SAM H = order dimension = centre to centre post separation in the direction of extension

VB = adjustment range

dimensions in mm

Wall seal

At the rear as standard – can be planned individually



Example

Fixture at the rear using two face fixture brackets – the rear support posts left and right can be done away with

01
02
03
04

05

Overview dimensions

Wall fixture

face fixture bracket for bracket frame profile 72535.

72530.

bracket frame profile

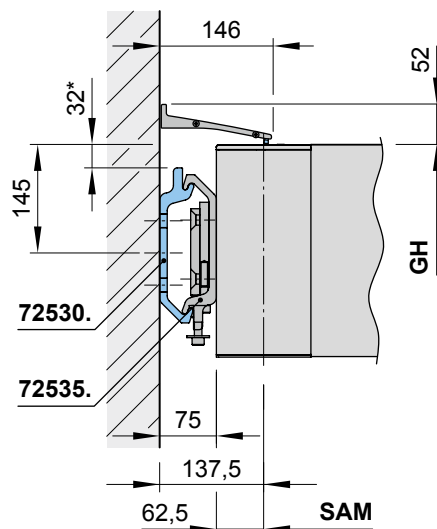
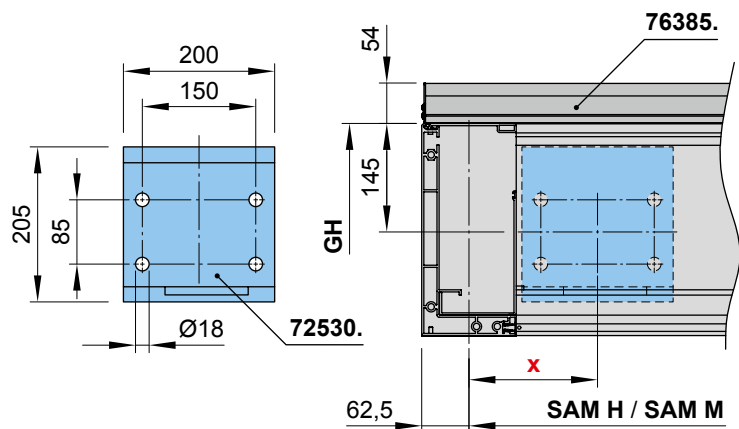
72535.

wall sealing profile incl. brush seal
by the metre

76385. and 704241

1 side plate including 2 pan-head self-tapping screws for wall sealing profile

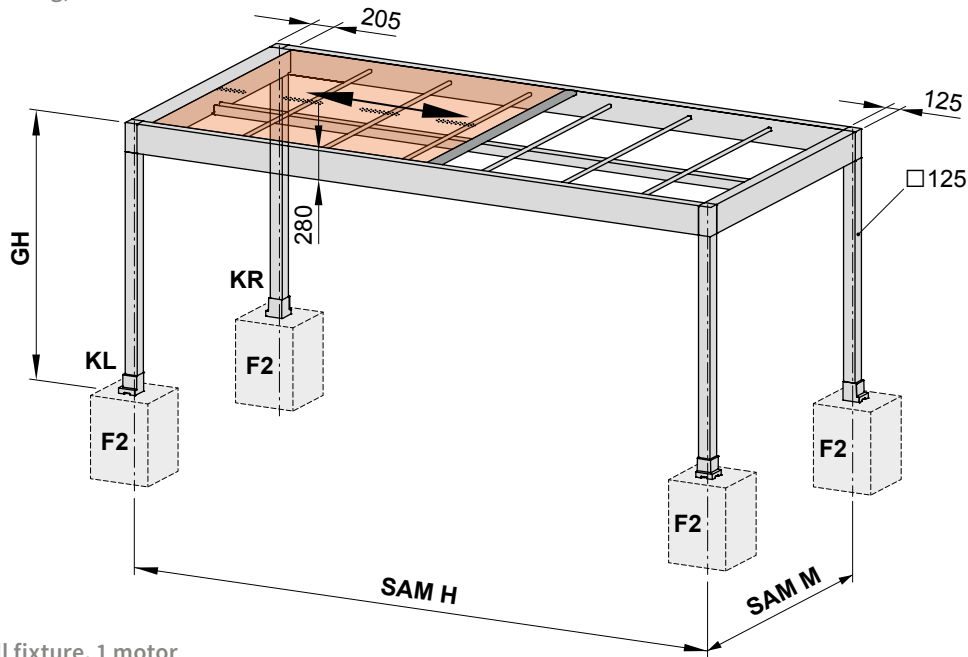
76386. and 2 × 735611



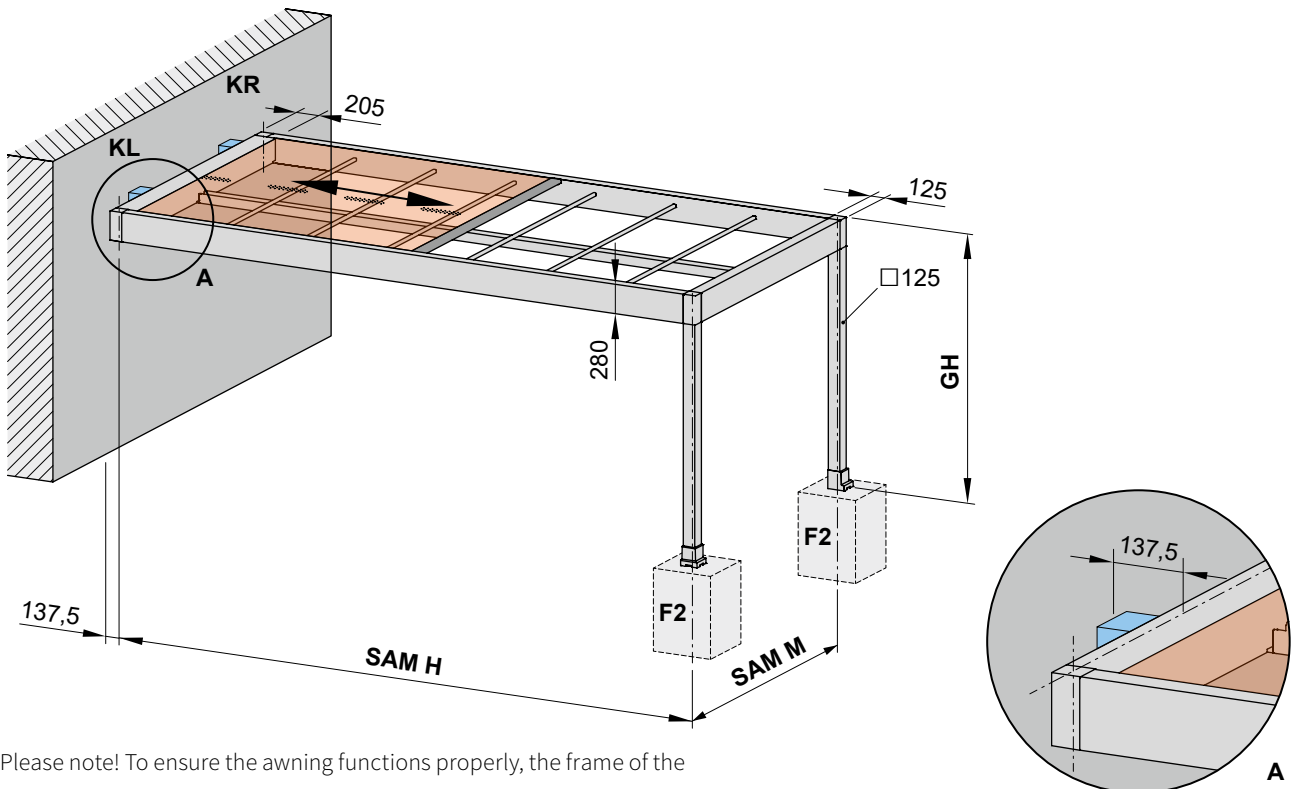
- * = as supplied / max. 45 mm dimensions in mm
- GH** = *order dimension* = overall height (standard = 260 cm; min. 64 cm – max. 350 cm)
- SAM H / SAM M** = *order dimension* = central post spacing
- x** = *order dimension* = min. 17 cm / × max. 90 cm (max. 15 % of **SAM M**)
- 704241** = brush seal for wall sealing profile 76385
- 72530.** = face fixture bracket for bracket frame profile 72535.
- 72535.** = bracket frame profile
- 76385.** = wall sealing profile (optional)
- 76386.** = side plate for wall sealing profile 76385.
- 735611** = pan-head self-tapping screw for side plate 76385.

01 Overview dimensions

02 1 field, free-standing, 1 motor



03 1 field with wall fixture, 1 motor



Please note! To ensure the awning functions properly, the frame of the awning must be set up to be perfectly level in both width and extension.

N.B! For installation we recommend the use of two electric lifts. E.g. "Tragbarer Markisen Lift Upter CM 340", load capacity 120 kg / height ceiling 3.3 m by KeM.Tech www.kemtech-ksf.com

F2 = please view section "Concrete foundations"

GH = *order dimension* = overall height (standard = 260 cm; min. 64 cm – max. 350 cm)

KL, KR = order details: cable exit point on the left / right, cable exit point at the front on request

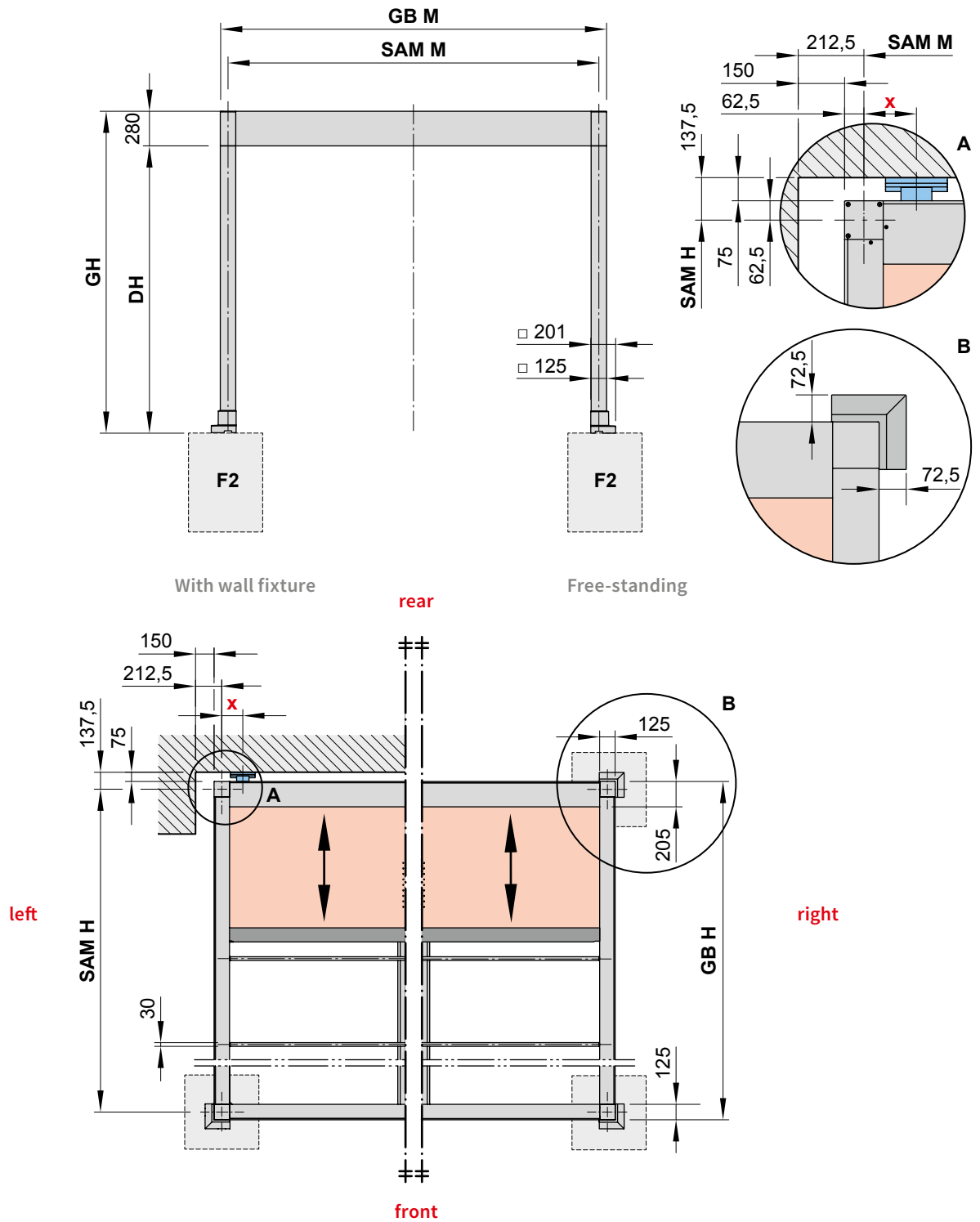
SAM H = *order dimension* = centre to centre post separation in the direction of extension

SAM M = *order dimension* = centre to centre post separation in the width

dimensions in mm

Overview dimensions

1 field, 1 motor



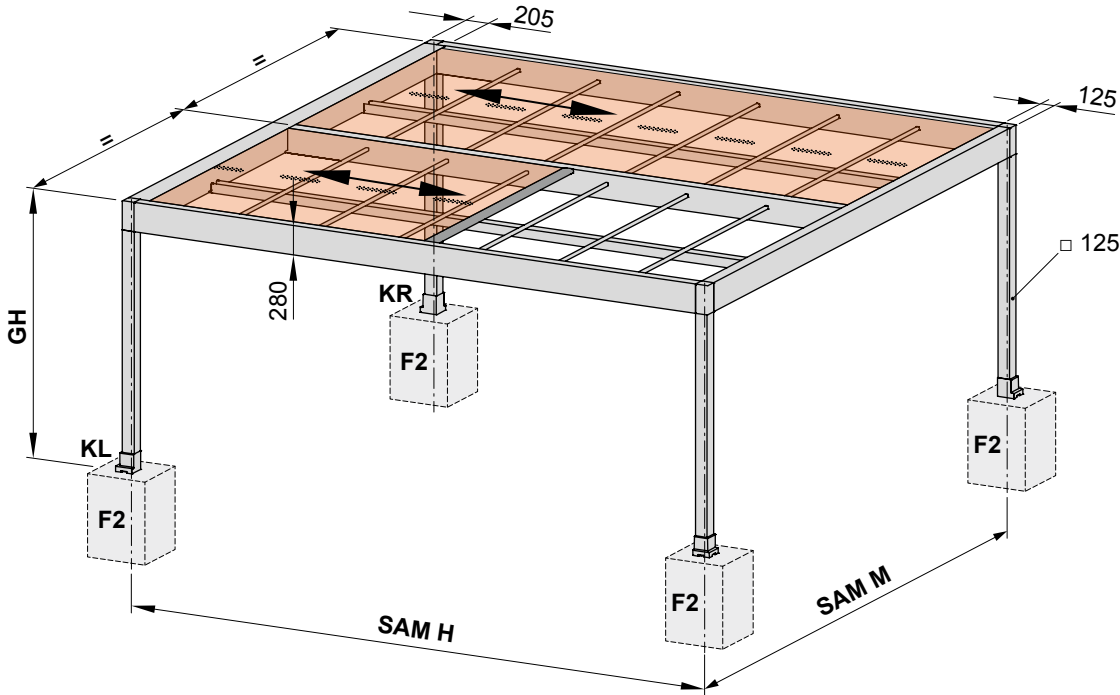
- DH** = headroom
- F2** = please view section "Concrete foundations"
- GB H** = overall size in the direction of extension
- GB M** = overall size in the direction of width
- GH** = *order dimension* = overall height (standard = 260 cm; min. 64 cm – max. 350 cm)
- SAM H** = *order dimension* = centre to centre post separation in the direction of extension
- SAM M** = *order dimension* = centre to centre post separation in the width
- x** = *order dimension* = min. 17 cm / x max. 90 cm (max. 15 % of SAM M)

dimensions in mm

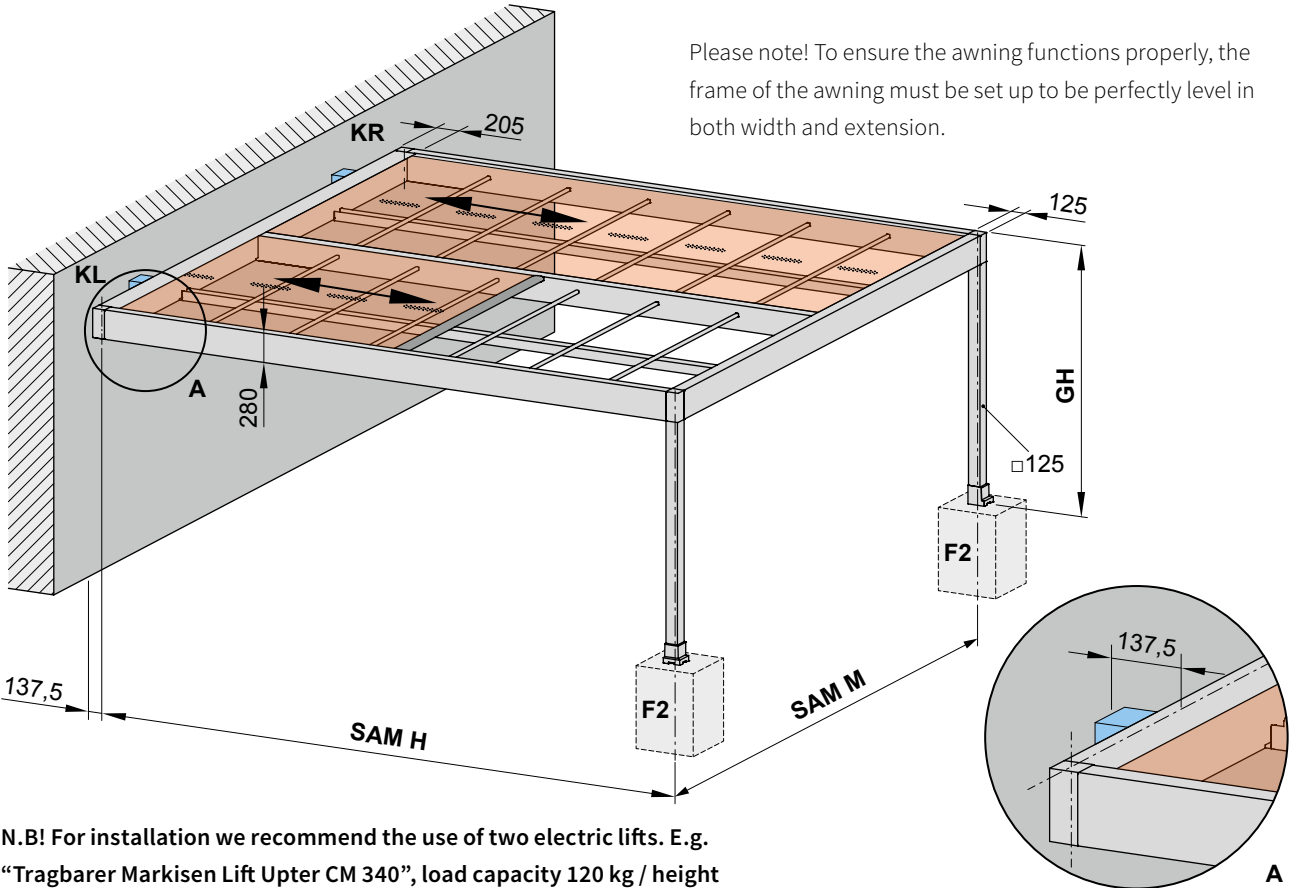
01
02
03
04
05

Overview dimensions

2 fields, free-standing, 2 motors



2 fields, with wall fixture, 2 motors



Please note! To ensure the awning functions properly, the frame of the awning must be set up to be perfectly level in both width and extension.

N.B! For installation we recommend the use of two electric lifts. E.g. "Tragbarer Markisen Lift Upter CM 340", load capacity 120 kg / height ceiling 3.3 m by KeM.Tech www.kemtech-ksf.com

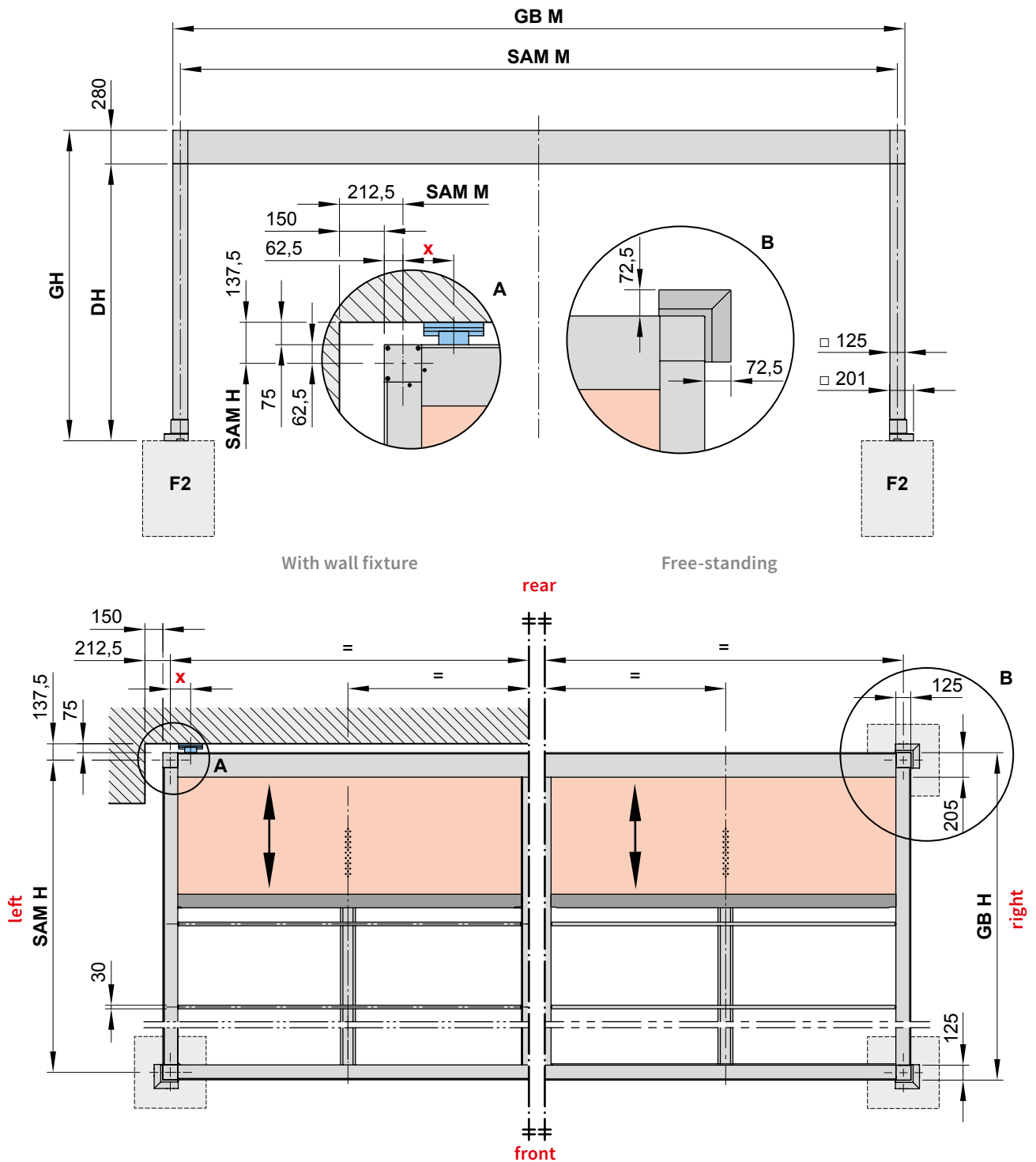
- F2** = please view section "Concrete foundations"
- GH** = *order dimension* = overall height (standard = 260 cm; min. 64 cm – max. 350 cm)
- KL, KR** = order details: cable exit point on the left / right, cable exit point at the front on request
- SAM H** = *order dimension* = centre to centre post separation in the direction of extension
- SAM M** = *order dimension* = centre to centre post separation in the width

dimensions in mm

Overview dimensions

2 fields, 2 motors

01
02
03
04
05



- DH = headroom
- F2 = please view section "Concrete foundations"
- GB H = overall size in the direction of extension
- GB M = overall size in the direction of width
- GH = *order dimension* = overall height (standard = 260 cm; min. 64 cm – max. 350 cm)
- Ⓜ = motor
- SAM H = *order dimension* = centre to centre post separation in the direction of extension
- SAM M = *order dimension* = centre to centre post separation in the width
- x = *order dimension* = min. 17 cm / x max. 90 cm (max. 15 % of SAM M)

dimensions in mm

01 Schematic diagram – water drainage

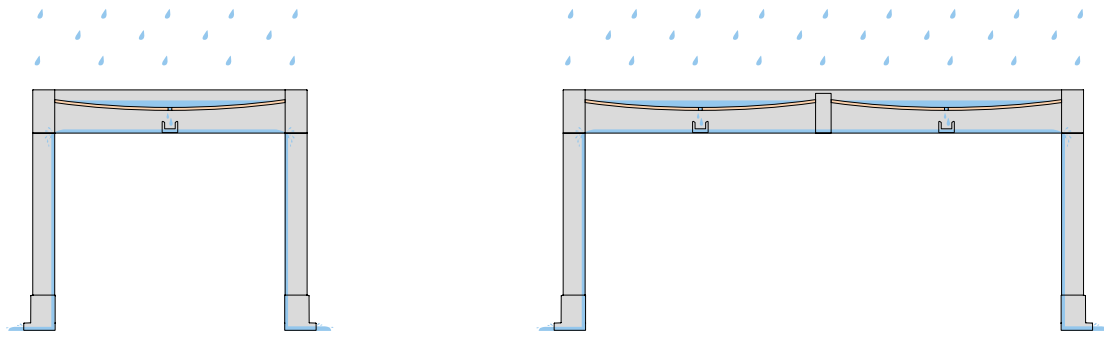
02 1 field

03

04

05

2 fields



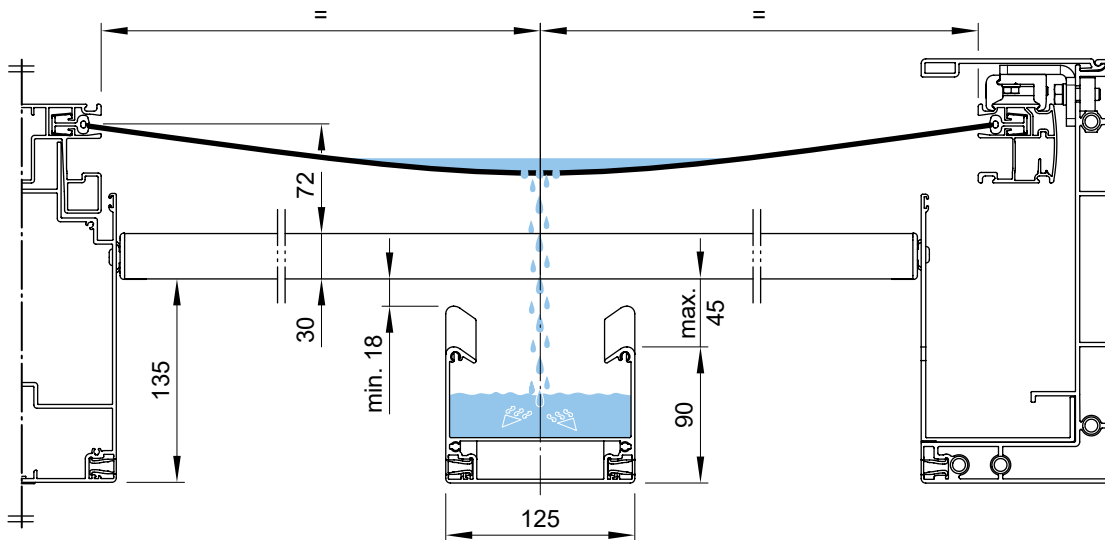
N.B!

If the unit is to be used in rain, a fabric from the perla or perla FR ranges should definitely be selected. Standard fabrics from the sunsilk and sunvas ranges do not remain waterproof if subjected to rainfall for a longer period.

sunvas perla. perla. This sunvas fabric with an additional transparent, highly water-resistant coating on the underside of the fabric offers optimum protection against rain.

sunsilk perla FR. This flame-retardant and water-repellent sunsilk fabric complies with strict fire protection regulations. There is a milky white coating on the underside of the fabric.

Dimension overview of the drainage gutter



☔ = water drainage

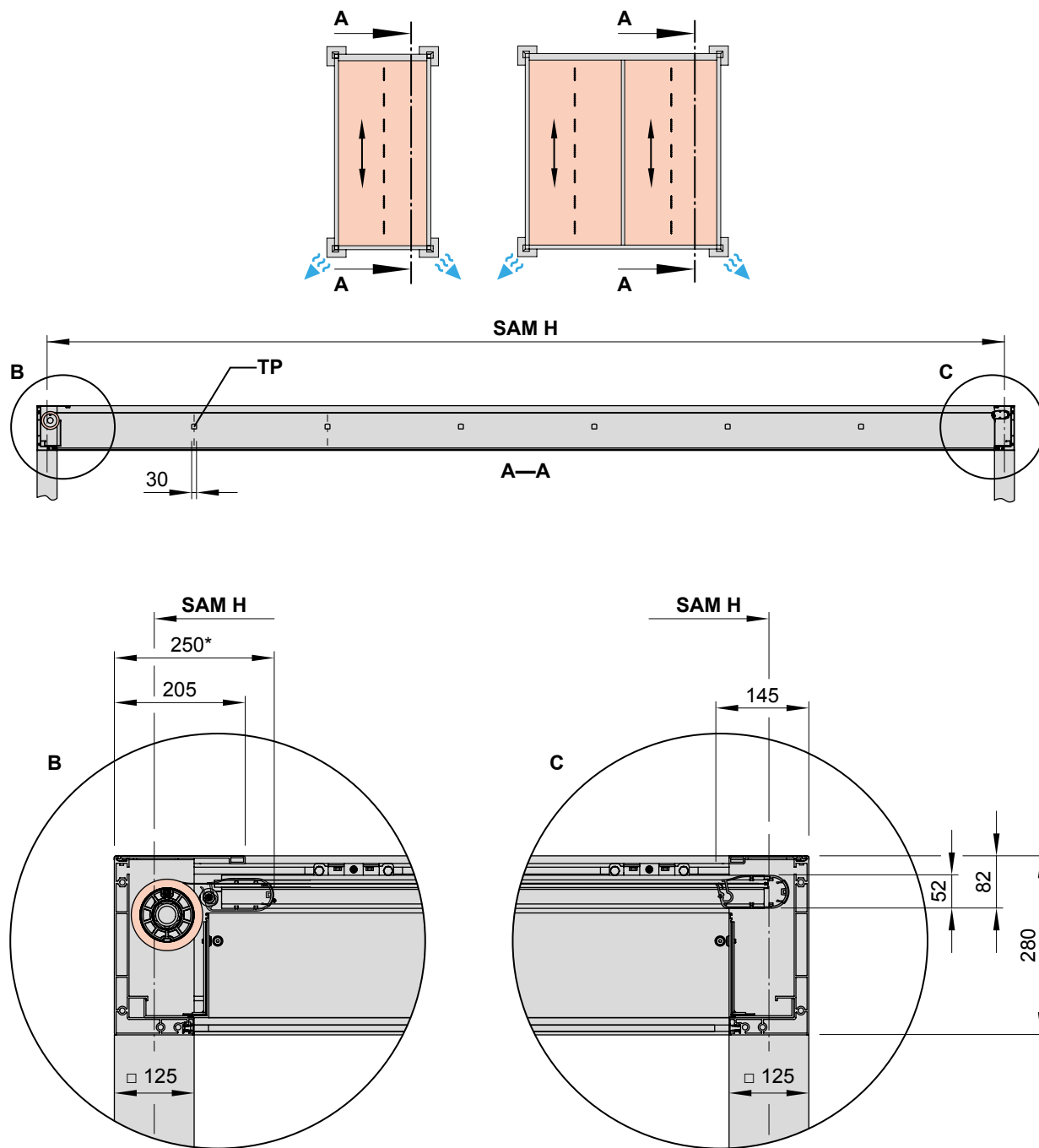
SAM M = order dimension = centre to centre post separation in the width

dimensions in mm

Overview dimensions

1-field and 2-field units, sectional view in direction of awning system extension

01
02
03
04
05



Number of cover support profiles

SAM H	Number TP
2000 – 3450	3
3451 – 4300	4
4301 – 5150	5
5151 – 6000	6



= water drainage

* = dimensions with awning(s) retracted

SAM H = *order dimension* = centre to centre post separation in the direction of extension

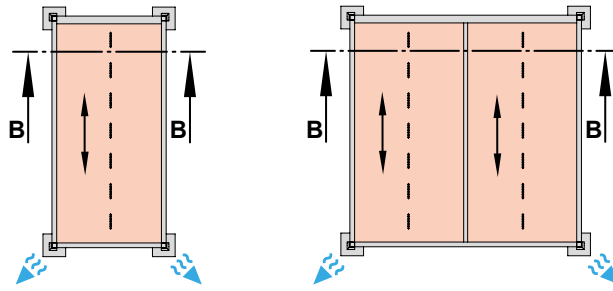
TP = cover support profile

dimensions in mm

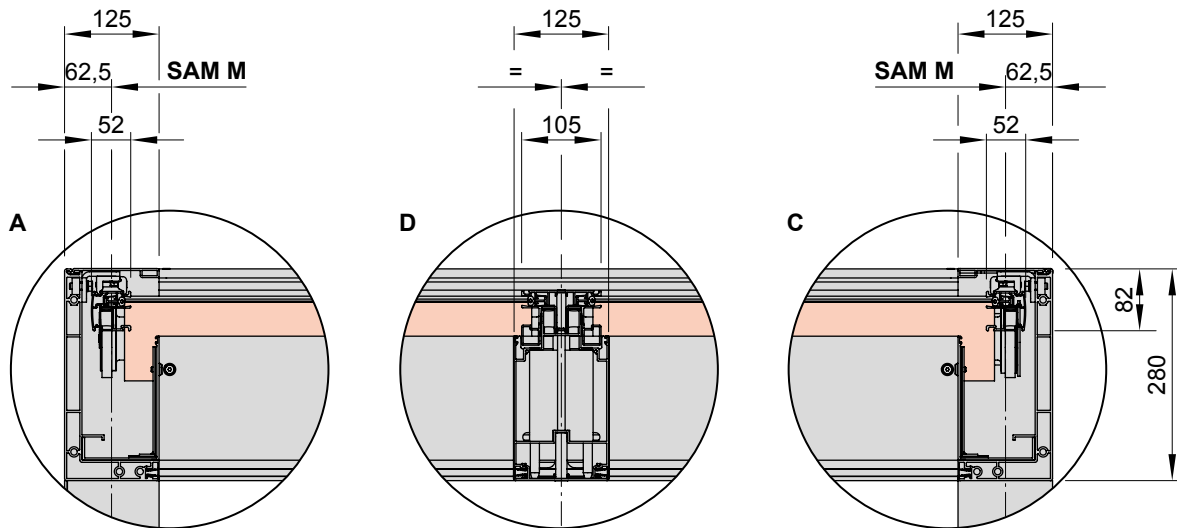
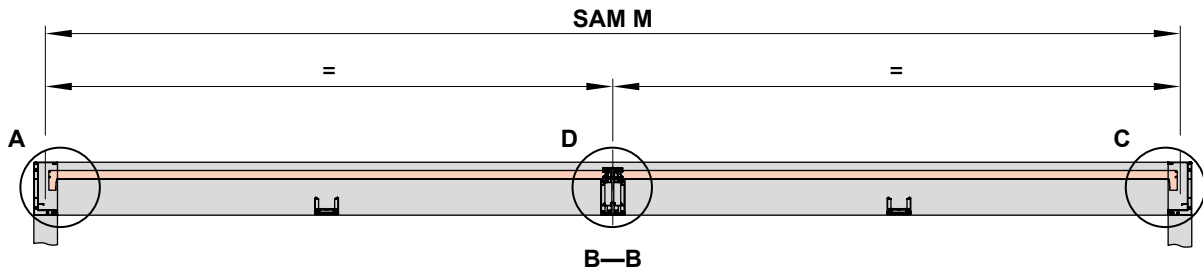
01
02
03
04

Overview dimensions

1-field and 2-field units, sectional view in direction of awning system width



05



= water drainage

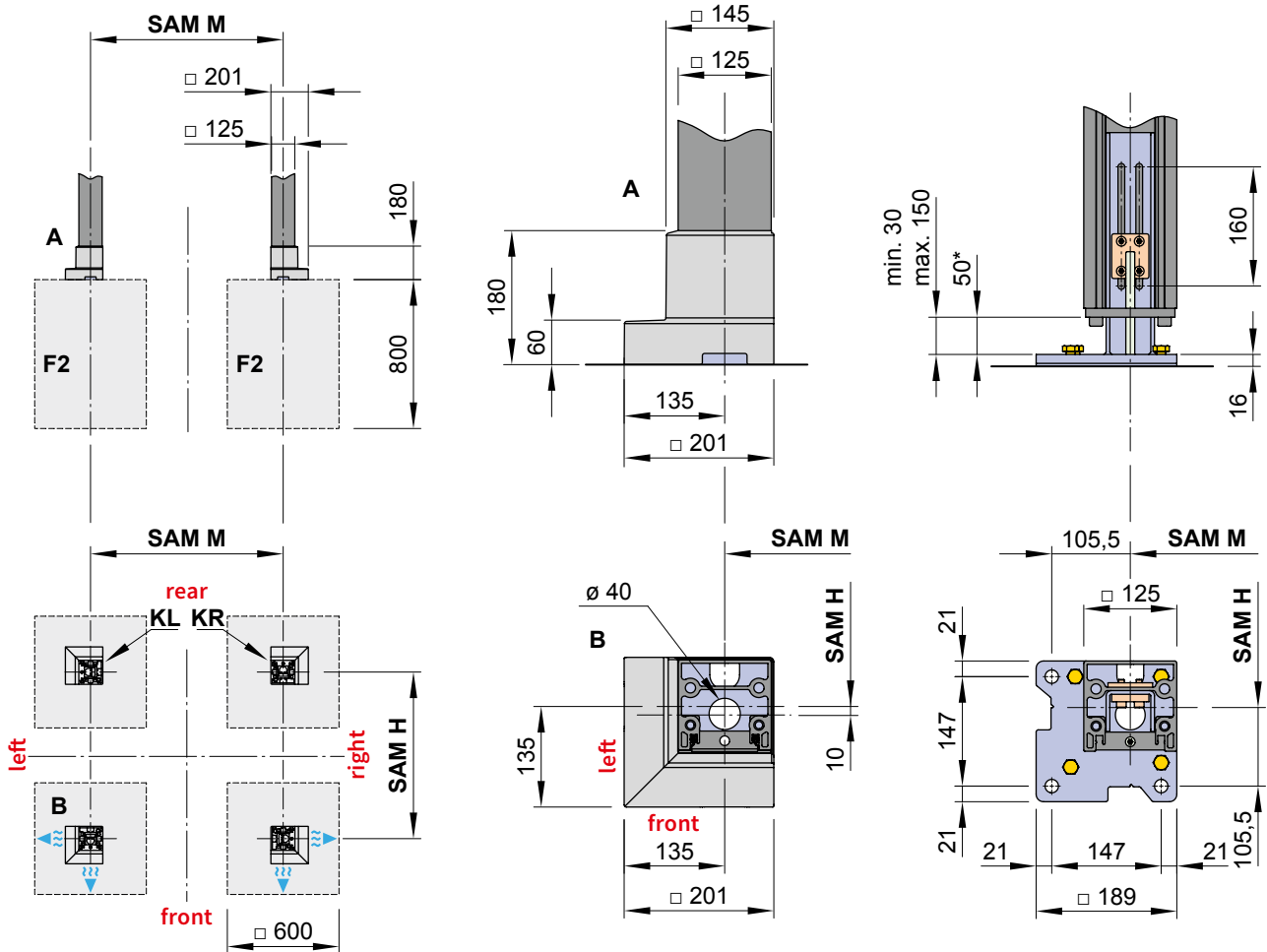
D = detailed view, 2-field unit

SAM M = order dimension = centre to centre post separation in the width

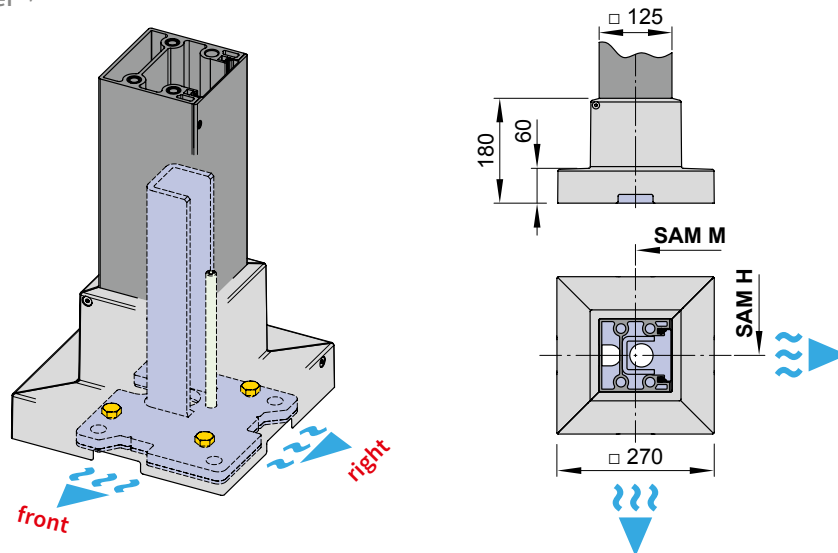
dimensions in mm

Post feet dimensions

Asymmetrical footplate cover (standard)



Symmetrical base cover ¹⁾



= water drainage

1) = optional, cannot be combined with vertical cassette blind markilux 625 tracfix or 776 tracfix

* = dimensions on delivery

F2 = please view section "Concrete foundations"

KR; KL = order details = cable exit point on the left / right at the rear via the base plate $\varnothing 40$ mm, cable exit point at the front, on request

SAM H = order dimension = centre to centre post separation in the direction of extension

SAM M = order dimension = centre to centre post separation in the width

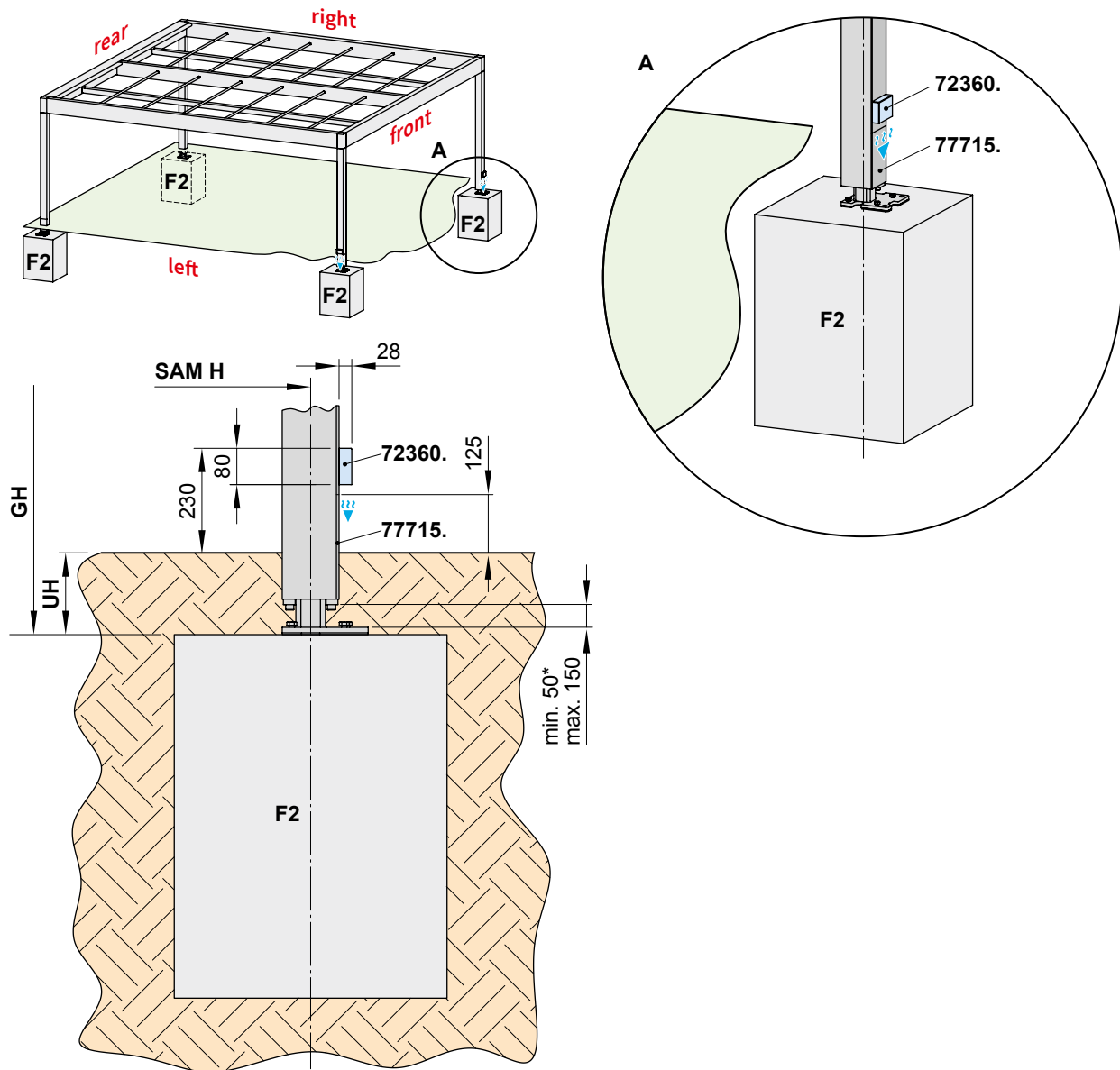
dimensions in mm

01
02
03
04
05

01
02
03
04
05

Overview dimensions

Foundation below ground, water drainage via the post above ground



= water drainage

* = dimensions on delivery

F2 = please view section "Concrete foundations"

UH = foundation depth below ground min. 180 mm – max. 270 mm

SAM H = *order dimension* = centre to centre post separation in the direction of extension

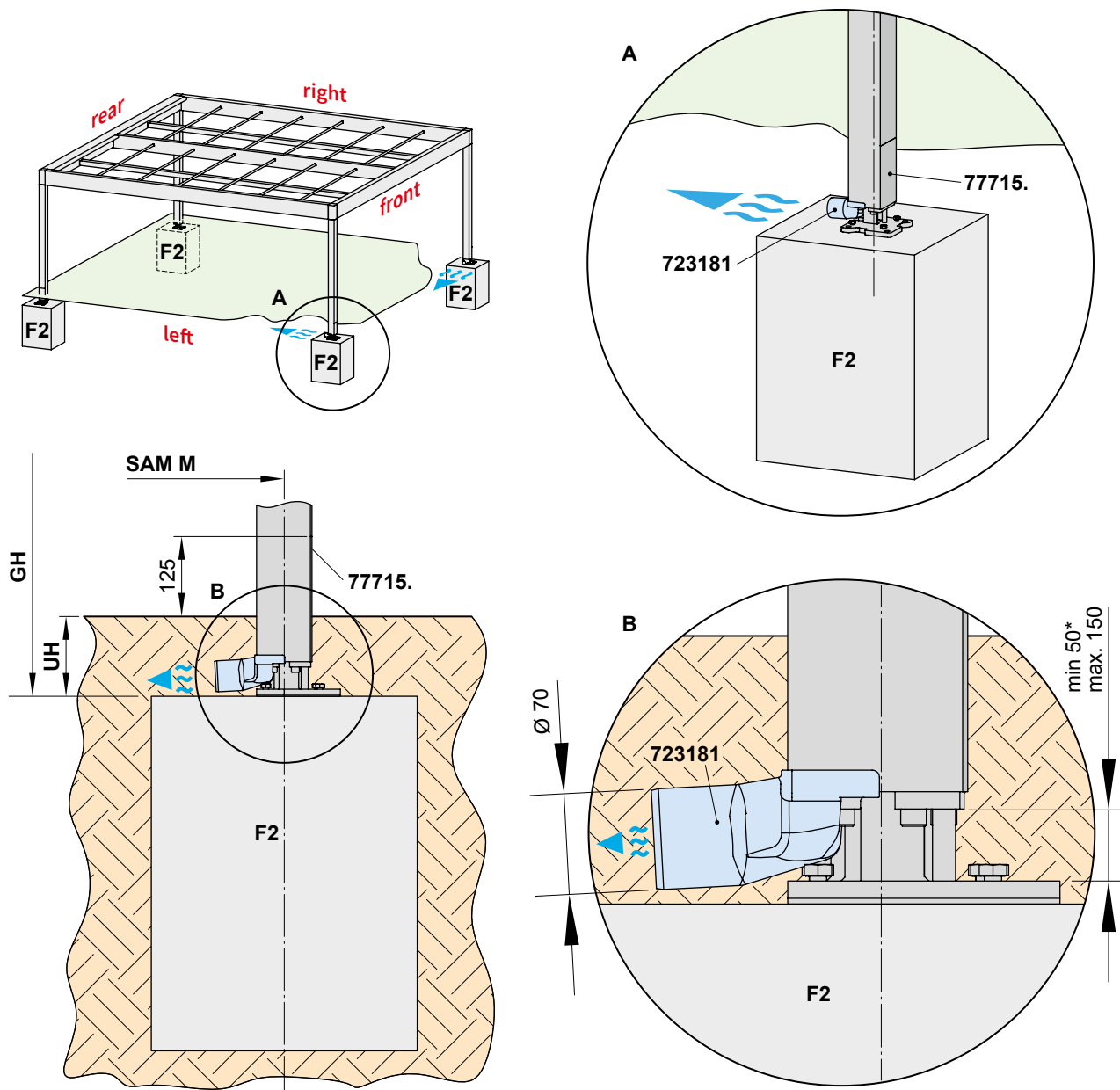
72360. = cover lateral water drainage

77715. = two-piece post cover

Overview dimensions

Foundation below ground, water drainage below ground

01
02
03
04
05



= water drainage

* = dimensions on delivery

723181 = drain spout

77715. = two-piece post cover

F2 = please view section "Concrete foundations"

SAM M = *order dimension* = centre to centre post separation in the width

UH = foundation depth below ground min. 180 mm – max. 270 mm

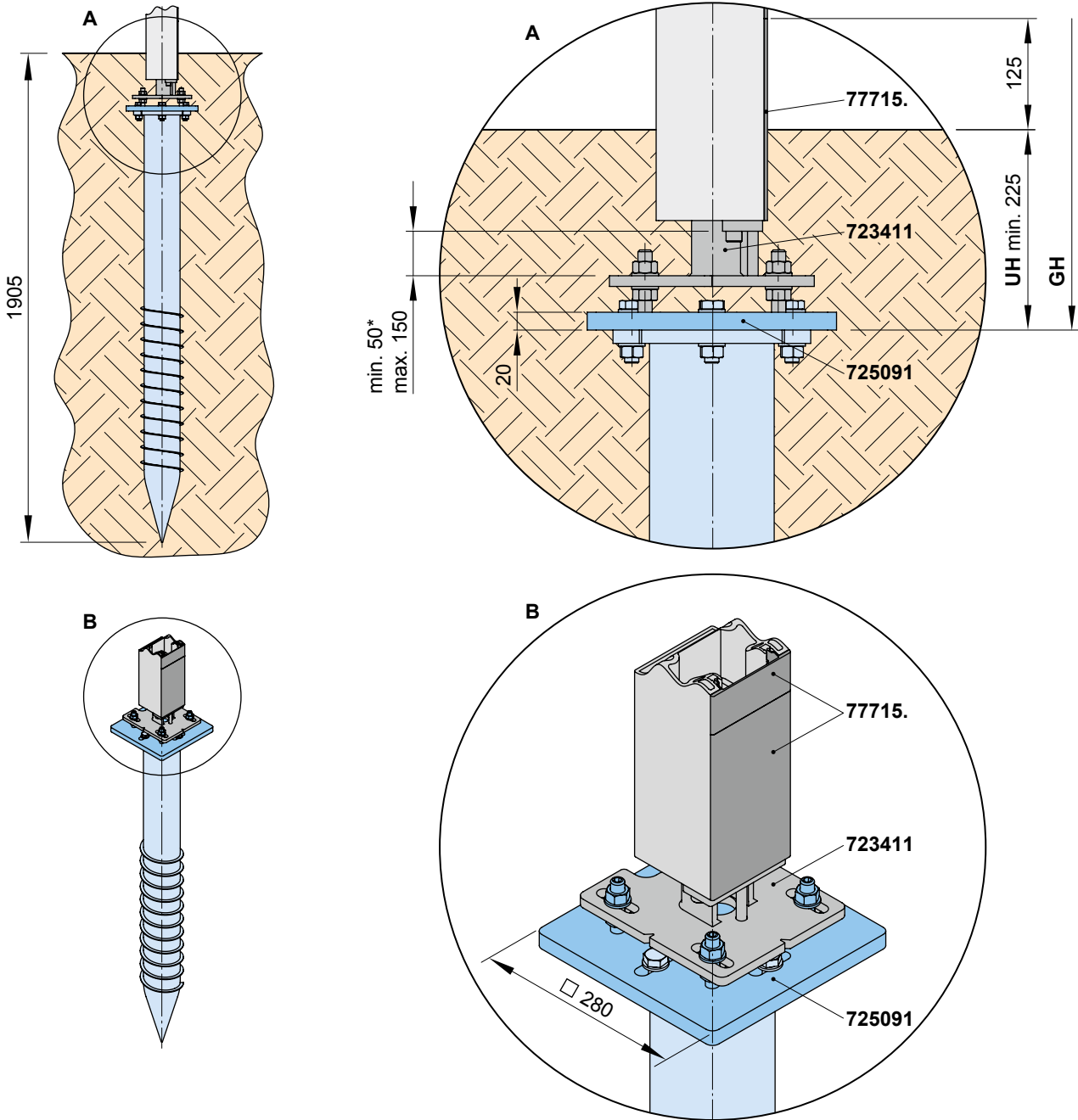
01 Dimension overview KRINNER ground screw

02 Krinner KSF140×1600-M

03

04

05



For up-to-date technical information please refer to the document “Krinner Ground Screw” (can be found in the restricted area of the website under “Information for Specialist Dealers” at markilux.com.)

* = dimensions on delivery

723411 = base (height adjustable)

725091 = adapter plate markilux markant

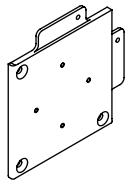
77715. = two-piece post cover

GH = overall height

UH = foundation level below ground min. 225 mm

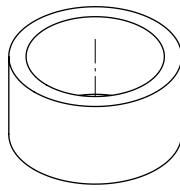
Overview

Installation of wind sensor Eolis WireFree io (optional)



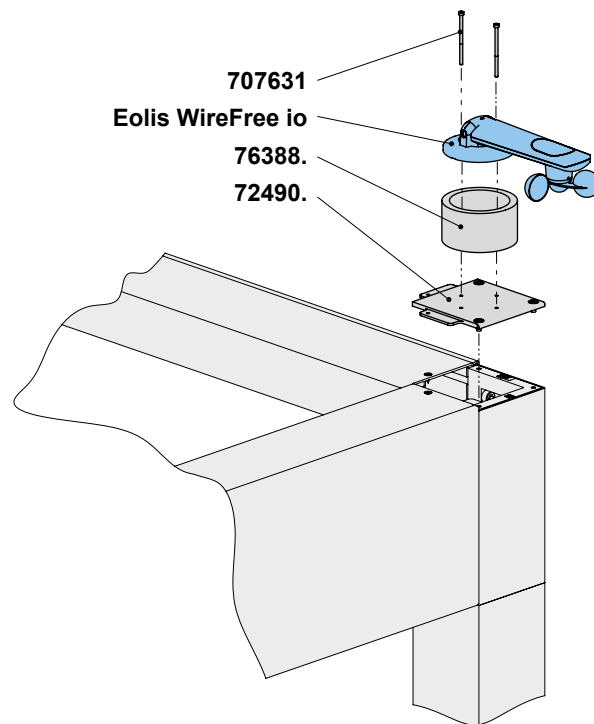
72490.

die-cast corner cover plate for wireless wind sensor Eolis WireFree io (Art-no.: 8272193)



76388. and 2 × 707631

round spacer tube for wind sensor io incl. two cylindrical screws

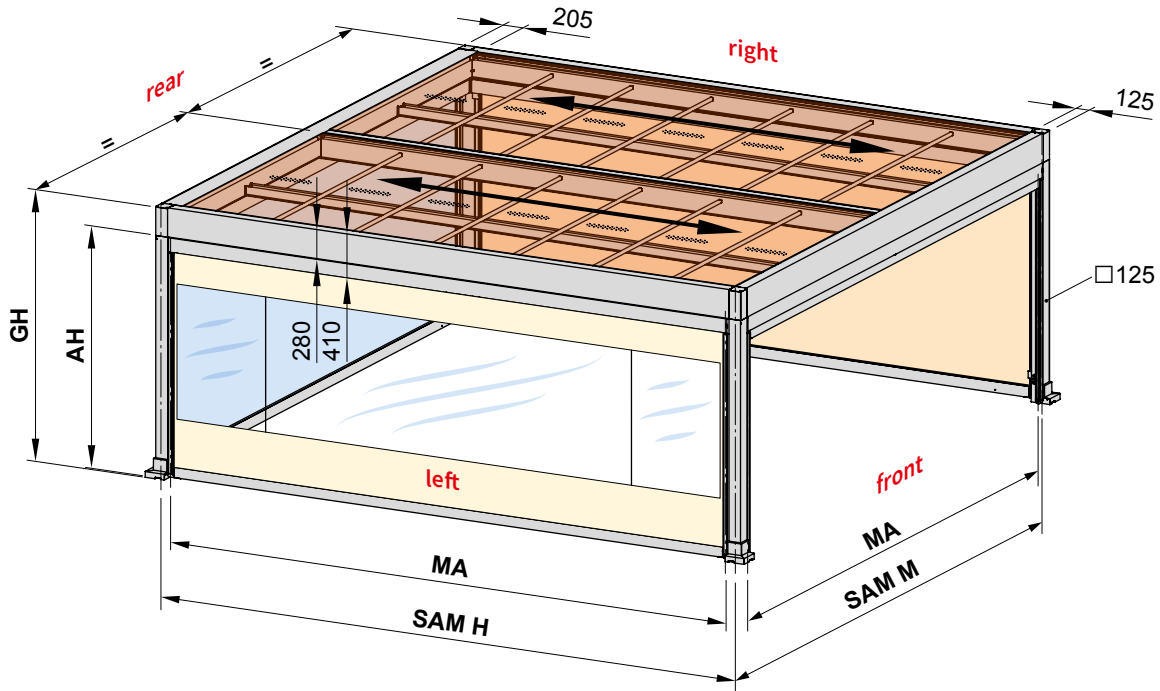


N.B! Please note! The wind sensor can be installed on any of the four corners.

01
02
03
04
05

Overview dimensions

markilux 776 tracfix fitted to the markilux markant



Panoramic window feature optional.

markilux markant can also be combined with the vertical blind markilux 625 tracfix.

Subsequent installation of vertical blinds is not possible.

N.B!

If the system needs to be levelled by adjusting the height of the post feet, any vertical blind that has been fitted may not finish parallel to the ground.

AH = *order dimension* = markilux 776 tracfix = unit height

GH = *order dimension* = overall height (standard = 260 cm; min. 64 cm – max. 350 cm)

MA = *order dimension markilux 776 tracfix* = blind fixture width

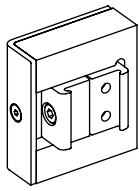
SAM H = *order dimension markilux markant* = centre to centre post separation in the direction of extension

SAM M = *order dimension markilux markant* = centre to centre post separation in the direction of width

dimensions in mm

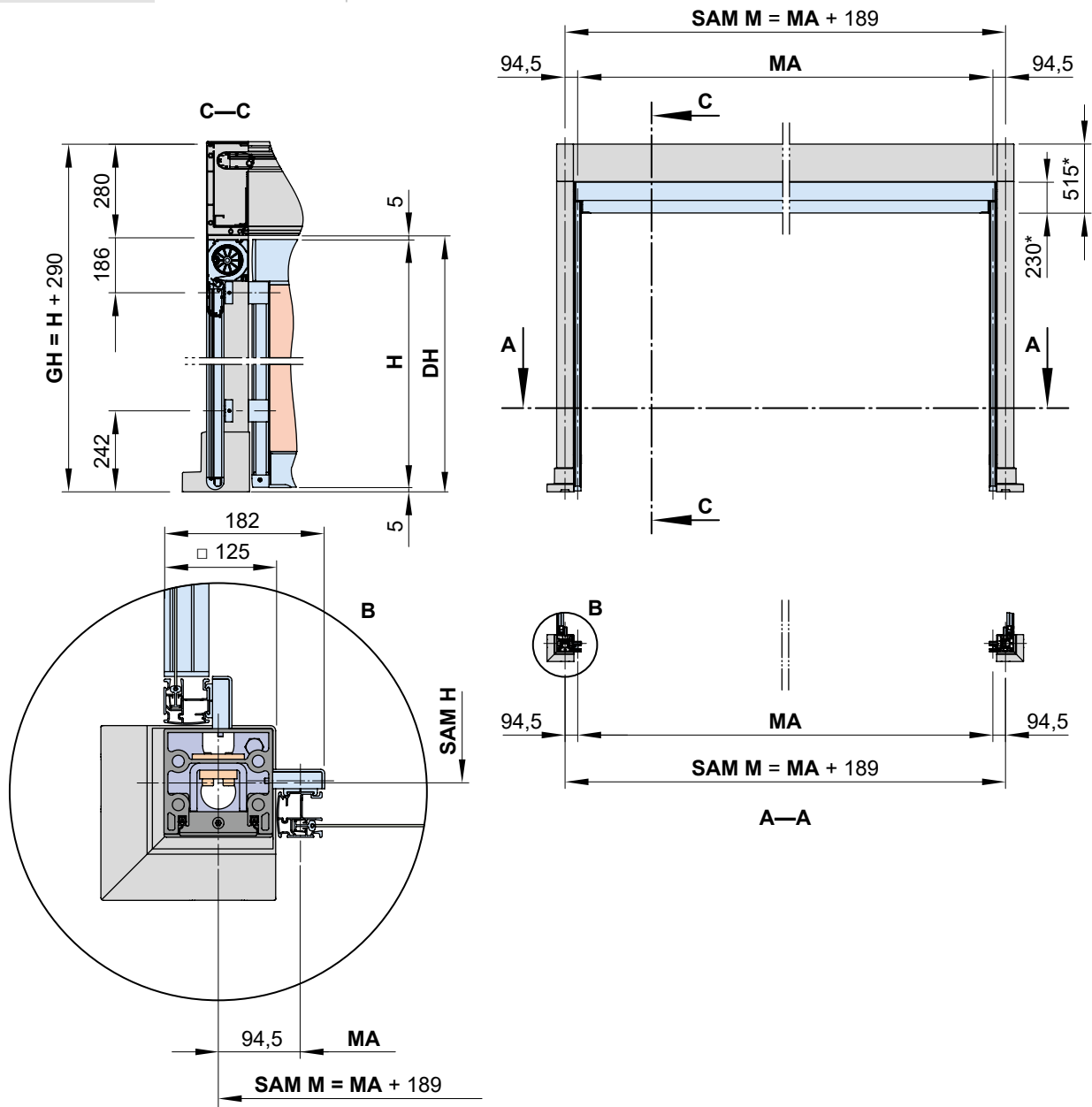
Overview dimensions

markilux 776 tracfix fitted to the markilux markant



reveal fixture brackets markant for the markilux 776 tracfix

72432.



N.B! Vertical blinds cannot be added at a later stage.

* = dimensions with the awning retracted

DH = headroom

GH = *order dimension* = overall height (standard = 260 cm; min. 64 cm – max. 350 cm)

H = *order dimension markilux 776 tracfix* = overall height

MA = *order dimension markilux 776 tracfix* = blind fixture width

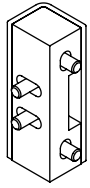
SAM M = *order dimension markilux markant* = centre to centre post separation in the direction of width

dimensions in mm

01
02
03
04

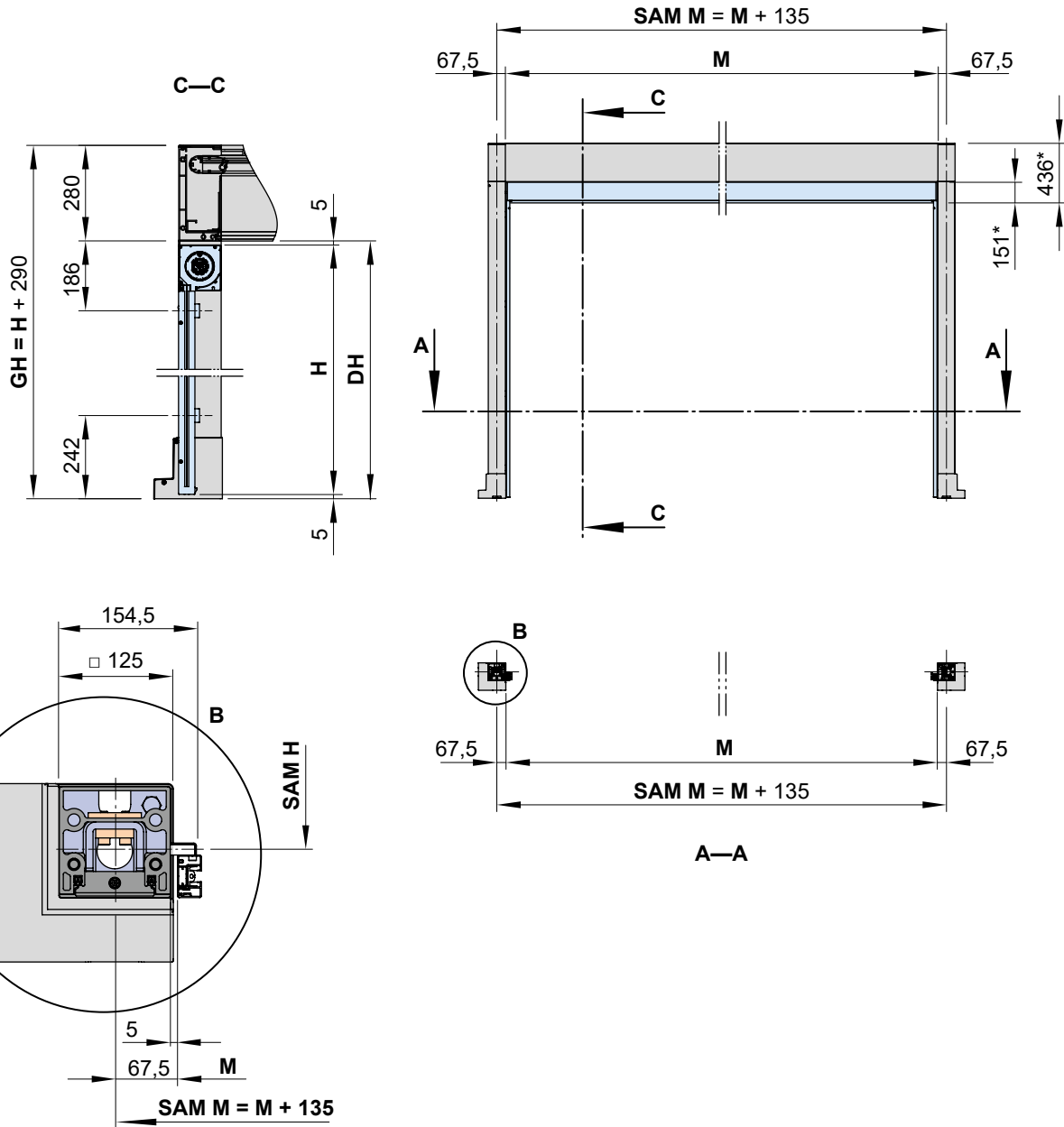
Overview dimensions

markilux 625 tracfix fitted to the markilux markant



reveal fixture brackets markant for the markilux 625 tracfix

72181.



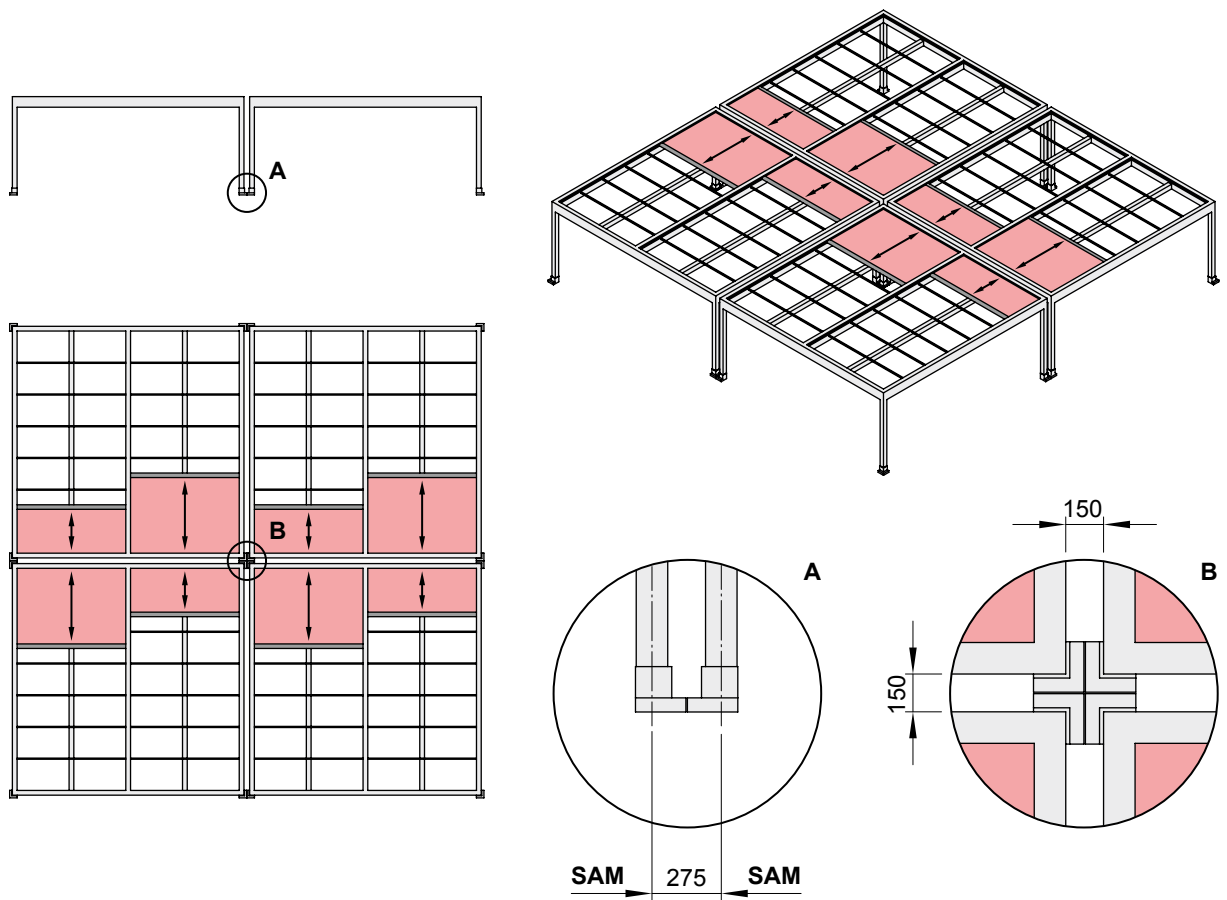
N.B! Vertical blinds cannot be added at a later stage.

- * = dimensions with the awning retracted
 - DH = headroom
 - GH = *order dimension* = overall height (standard = 260 cm; min. 64 cm – max. 350 cm)
 - H = *order dimension markilux 625 tracfix* = overall height
 - M = *order dimension markilux 625 tracfix* = overall blind width
 - SAM M = *order dimension markilux markant* = centre to centre post separation in the direction of width
- dimensions in mm

Overview

Combination example four 2-field awning systems

01
02
03
04
05

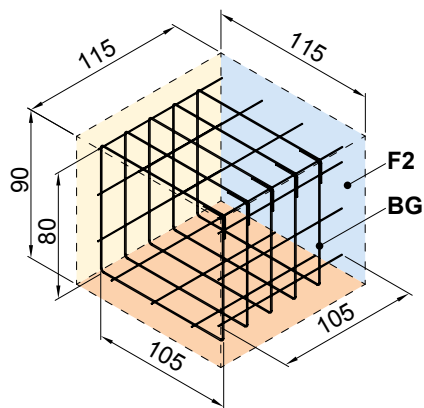


dimensions in mm

Concrete foundations

To be supplied on site:

Concrete foundations with compressive strength C25/30 (previously B25) with rebar matting basket made of rebar matting Q188



dimensions in cm

Fixture to concrete foundation F2

using Fischer marine-grade stainless steel anchor bolts FAZ II 16/50 and washers certified to DIN 9021 (or equivalent)

Alternatively fixture can be realised using Krinner ground screws. Adapter sets for installation to these are available.

SAM = centre to centre post separation

01

02

03

04

05